

# NEY Product Information



## Data Sheet

### Unifuture

Sliding Door System



**NEY Ltd (Head Office)**  
Stonebridge Trading Estate  
Sibree Road  
Coventry  
CV3 4FD

**t** 024 7630 8100  
**f** 024 7630 8101  
**e** sales@ney.co.uk

**NEY Ireland**  
Unit 22 Blaris Ind Estate  
Altona Road  
Lisburn  
BT27 5QB

**t** 028 92 673 000  
**f** 028 92 672 999  
**e** ireland@ney.co.uk

**NEY Scotland**  
Block 2 Units 1-2-3  
Bandeath Ind Est  
Throsk, Stirling  
FK7 7NP

**t** 01786 814 814  
**f** 01786 814 812  
**e** scotland@ney.co.uk



**Applications**

- Wardrobe doors.

**Features**

- Top hung system.
- Easily installed and durable.
- Quiet sliding action.
- High quality aluminium profiles.
- Max. Load per leaf - 30 or 50kg.
- Ball bearings with silencing tyres .
- Fastening components made of galvanized steel.
- Surface mounting hardware.
- Overlapping sliding doors.



Ball Bearing



50Kg



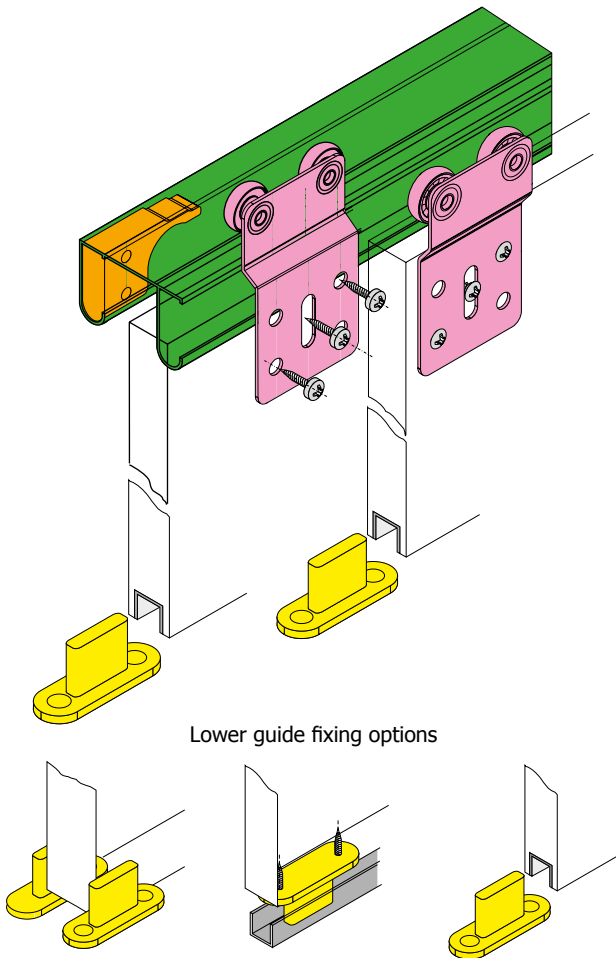
18-40mm Board



**UNIFUTURE | FUTURE**  
Sliding door system

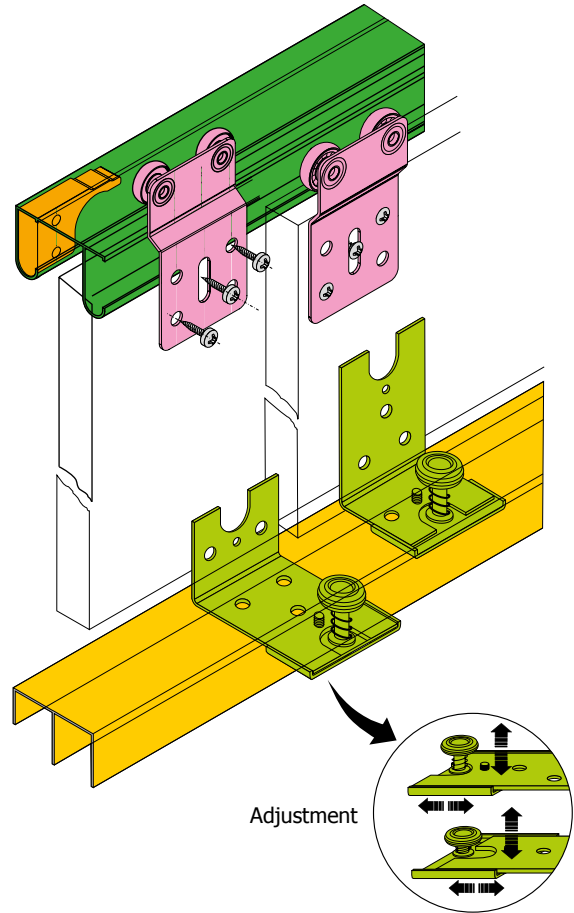
# UNIFUTURE | FUTURE System overview

## UNIFUTURE - 50Kg



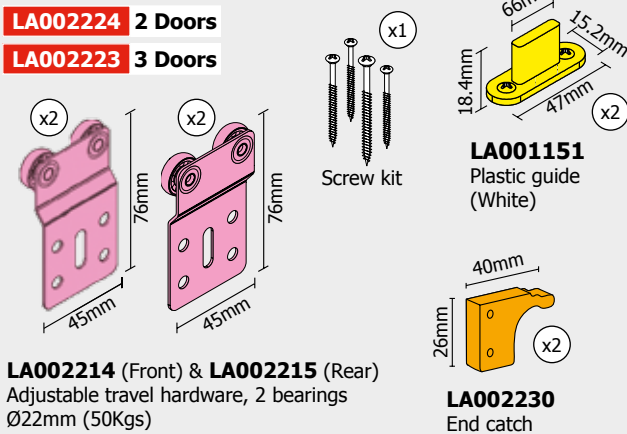
Lower guide fixing options

## FUTURE - 50Kg



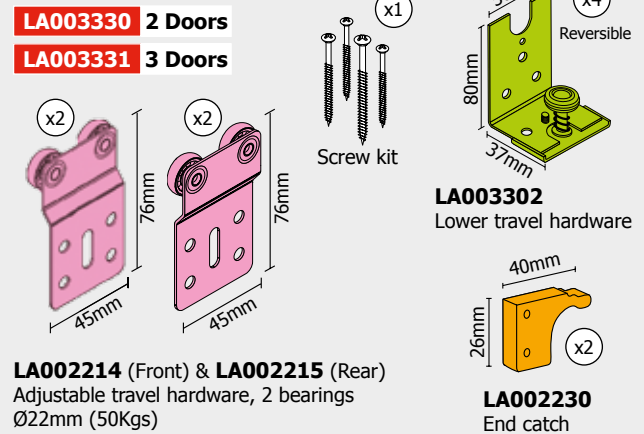
Adjustment

### Kit contents for 2 x doors



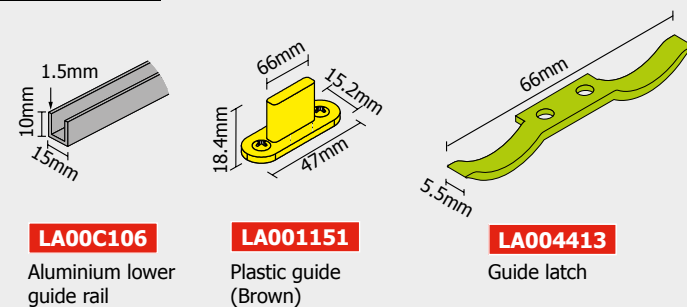
**LA002214** (Front) & **LA002215** (Rear)  
 Adjustable travel hardware, 2 bearings  
 Ø22mm (50Kgs)

### Kit contents for 2 x doors



**LA002214** (Front) & **LA002215** (Rear)  
 Adjustable travel hardware, 2 bearings  
 Ø22mm (50Kgs)

### Accessories



### Essentials

