

# NEY Product Information



## Data Sheet

Superior Plus  
Sliding Door System



**NEY Ltd (Head Office)**  
Stonebridge Trading Estate  
Sibree Road  
Coventry  
CV3 4FD

**t** 024 7630 8100  
**f** 024 7630 8101  
**e** sales@ney.co.uk

**NEY Ireland**  
Unit 22 Blaris Ind Estate  
Altona Road  
Lisburn  
BT27 5QB

**t** 028 92 673 000  
**f** 028 92 672 999  
**e** ireland@ney.co.uk

**NEY Scotland**  
Block 2 Units 1-2-3  
Bandeath Ind Est  
Throsk, Stirling  
FK7 7NP

**t** 01786 814 814  
**f** 01786 814 812  
**e** scotland@ney.co.uk



## Applications

- Wardrobe doors.
- Overlay wardrobe doors.

## Features

- Top hung system.
- Easily installed and durable.
- Quiet sliding action.
- High quality aluminium profiles.
- Max. Load per leaf - 60kg.
- Ball bearing with silencing tyres.
- Surface mounting hardware.
- Overlapping doors.
- Upper & lower rails concealed.
- Soft close mechanism.



Ball Bearing



60Kg

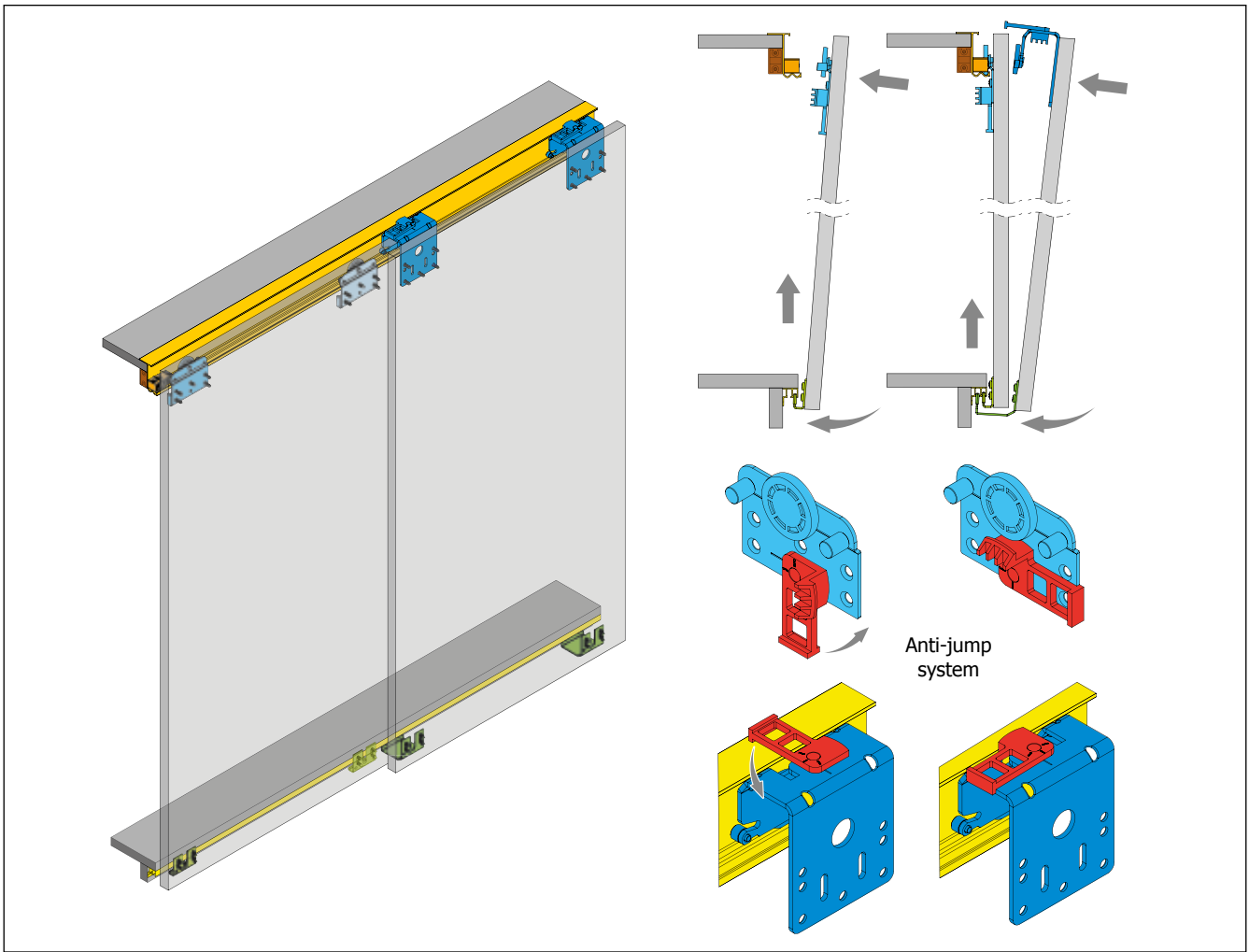


12-18mm Board

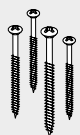
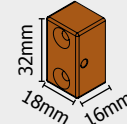
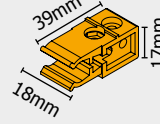
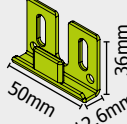
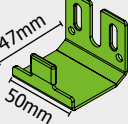
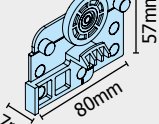
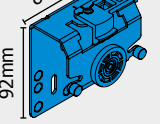


**SUPERIOR PLUS**  
Sliding door system

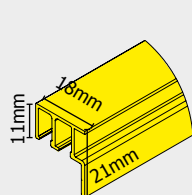
# SUPERIOR PLUS System overview



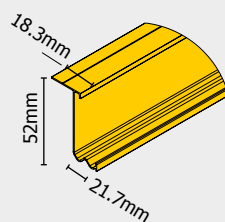
## Kit contents for 2 x doors

<b>LA003342</b> 2 Door	<b>LA003359</b> Clip reinforcement	<b>LA003358</b> Stopper	<b>LA003357</b> Lower guide (Rear)	<b>LA003356</b> Lower guide	<b>LA003354</b> Upper travel hardware (Rear)	<b>LA003350</b> Upper travel hardware
 Screw kit x1	 32mm 18mm 16mm x2	 39mm 18mm 17mm x2	 50mm 12.6mm 36mm x2	 47mm 50mm 43mm x2	 57mm 80mm 17mm x2	 92mm 80mm 50mm x2

## Essentials



**LA00AF30**  
Aluminium double lower guide rail



**LA00K022**  
Aluminium double upper guide rail

## Accessories



**LA003360**  
Soft close mechanism