

NEY Product Information



Technical Specification

Fastor

Sliding Door System



NEY Ltd (Head Office)
Stonebridge Trading Estate
Sibree Road
Coventry
CV3 4FD

t 024 7630 8100
f 024 7630 8101
e sales@ney.co.uk

NEY Ireland
Unit 22 Blaris Ind Estate
Altona Road
Lisburn
BT27 5QB

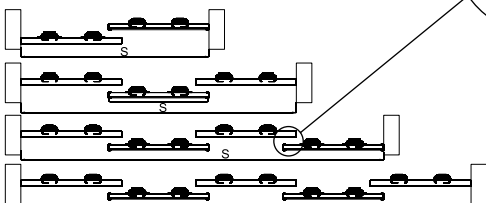
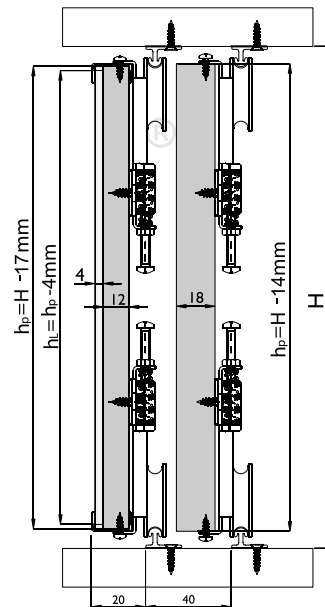
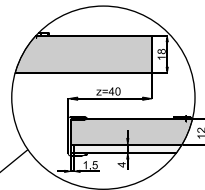
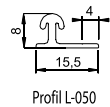
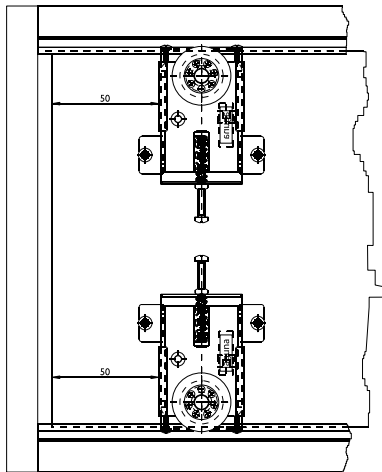
t 028 92 673 000
f 028 92 672 999
e ireland@ney.co.uk

NEY Scotland
Block 2 Units 1-2-3
Bandeath Ind Est
Throsk, Stirling
FK7 7NP

t 01786 814 814
f 01786 814 812
e scotland@ney.co.uk



		H - opening assembly height [mm]		S - opening assembly width [mm]		
18 mm	number of doors	n	n=2	n=3	n=4	n=5
	board height	h_p	$h_p = H - 14$ mm.			
	board width	b_p	$b_p = \frac{S+40}{2}$ mm.	$b_p = \frac{S+80}{3}$ mm.	$b_p = \frac{S+120}{4}$ mm.	$b_p = \frac{S+160}{5}$ mm.
12 mm + 4mm	number of doors	n	n=2	n=3	n=4	n=5
	board height	h_p	$h_p = H - 17$ mm.			
	board width	b_p	$b_p = \frac{S+36}{2}$ mm.	$b_p = \frac{S+74}{3}$ mm.	$b_p = \frac{S+112}{4}$ mm.	$b_p = \frac{S+150}{5}$ mm.
	mirror height	h_L	$h_L = h_p - 4$ mm			
	mirror width	b_L	$b_L = \frac{S+28}{2}$ mm.	$b_L = \frac{S+62}{3}$ mm.	$b_L = \frac{S+96}{4}$ mm.	$b_L = \frac{S+130}{5}$ mm.



BENDING OPTION WITH L-052 PROFILE

