

# NEY Product Information



## Technical Specification

### Fast R

Sliding Door System



**NEY Ltd (Head Office)**  
Stonebridge Trading Estate  
Sibree Road  
Coventry  
CV3 4FD

**t** 024 7630 8100  
**f** 024 7630 8101  
**e** sales@ney.co.uk

**NEY Ireland**  
Unit 22 Blaris Ind Estate  
Altona Road  
Lisburn  
BT27 5QB

**t** 028 92 673 000  
**f** 028 92 672 999  
**e** ireland@ney.co.uk

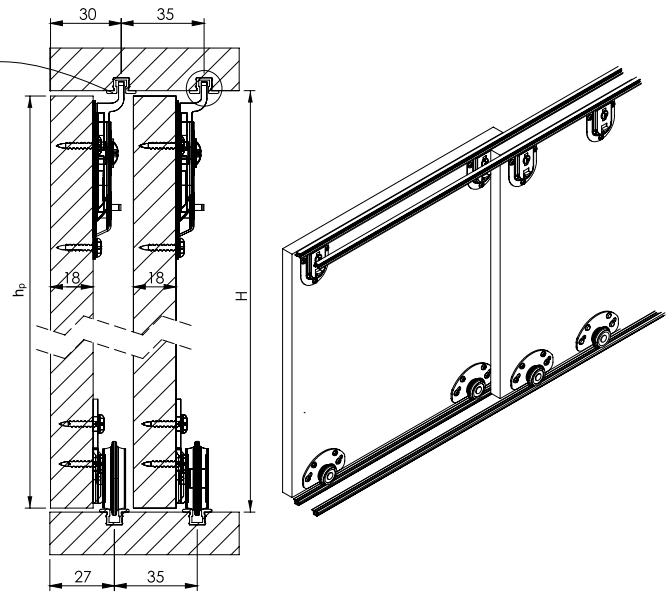
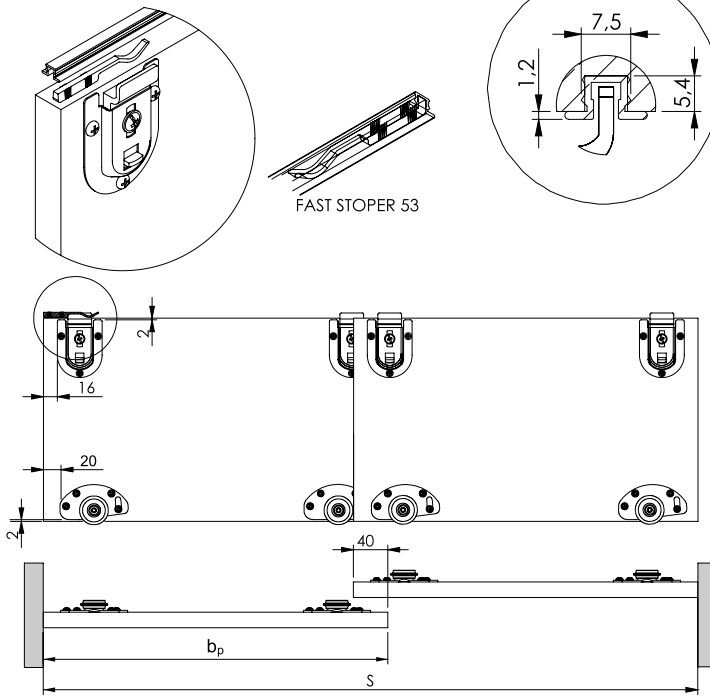
**NEY Scotland**  
Block 2 Units 1-2-3  
Bandeath Ind Est  
Throsk, Stirling  
FK7 7NP

**t** 01786 814 814  
**f** 01786 814 812  
**e** scotland@ney.co.uk



# FAST 53

hardwares outside the board



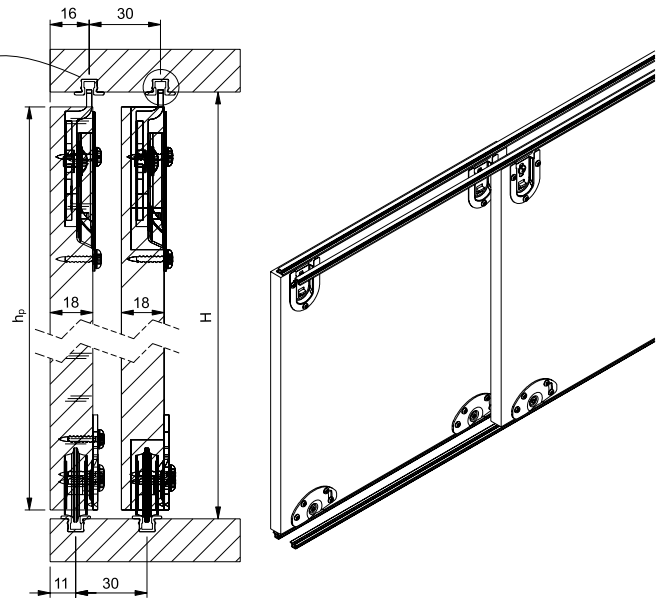
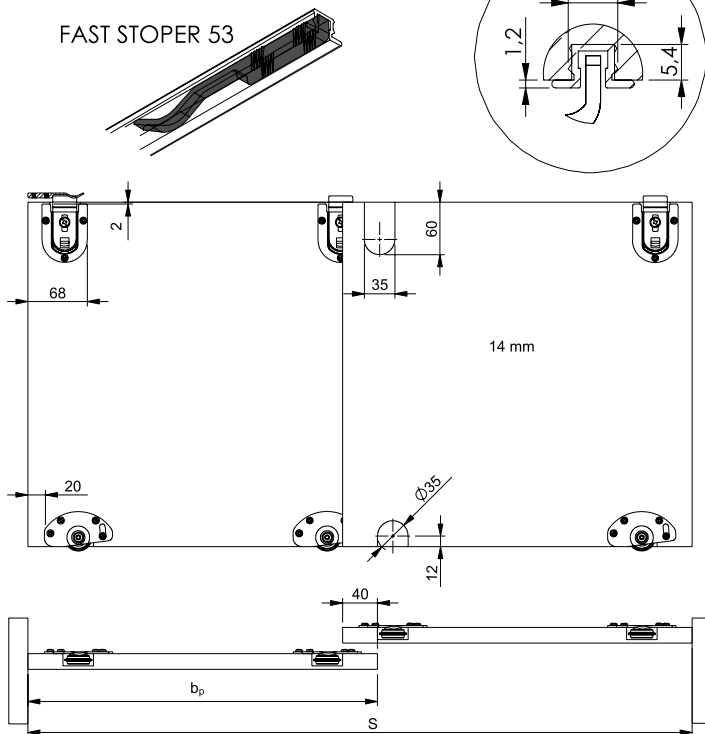
H - opening assembly height [ mm ]      S - opening assembly width [ mm ]

number of doors	n	n=2	n=3	n=4	n=5
board height	$h_p$	$h_p = H - 5\text{mm.}$			
board width	$b_p$	$b_p = \frac{S-40\text{mm}}{2}$	$b_p = \frac{S-80\text{mm}}{3}$	$b_p = \frac{S-120\text{mm}}{4}$	$b_p = \frac{S-160\text{mm}}{5}$

v02.2011

# FAST 53

hardwares inside the board



H - opening assembly height [ mm ]      S - opening assembly width [ mm ]

number of doors	n	n=2	n=3	n=4	n=5
board height	$h_p$	$h_p = H - 10\text{mm.}$			
board width	$b_p$	$b_p = \frac{S-40\text{mm}}{2}$	$b_p = \frac{S-80\text{mm}}{3}$	$b_p = \frac{S-120\text{mm}}{4}$	$b_p = \frac{S-160\text{mm}}{5}$