

NEY Product Information



Data Sheet

Bifold

Folding Door System



NEY Ltd (Head Office)
Stonebridge Trading Estate
Sibree Road
Coventry
CV3 4FD

t 024 7630 8100
f 024 7630 8101
e sales@ney.co.uk

NEY Ireland
Unit 22 Blaris Ind Estate
Altona Road
Lisburn
BT27 5QB

t 028 92 673 000
f 028 92 672 999
e ireland@ney.co.uk

NEY Scotland
Block 2 Units 1-2-3
Bandeath Ind Est
Throsk, Stirling
FK7 7NP

t 01786 814 814
f 01786 814 812
e scotland@ney.co.uk



Applications

- Kitchen cabinet doors.
- Serving hatches.
- Left-hand or right-hand lightweight internal doors.

Features

- Max. Load per 2 leaves - 15kg.
- Easily installed and durable.
- Quiet sliding action.
- High quality aluminium profiles.
- No sill.
- Can be fitted to existing door openings.
- Adjustable tensioning catch-bolt hinge.



15Kg

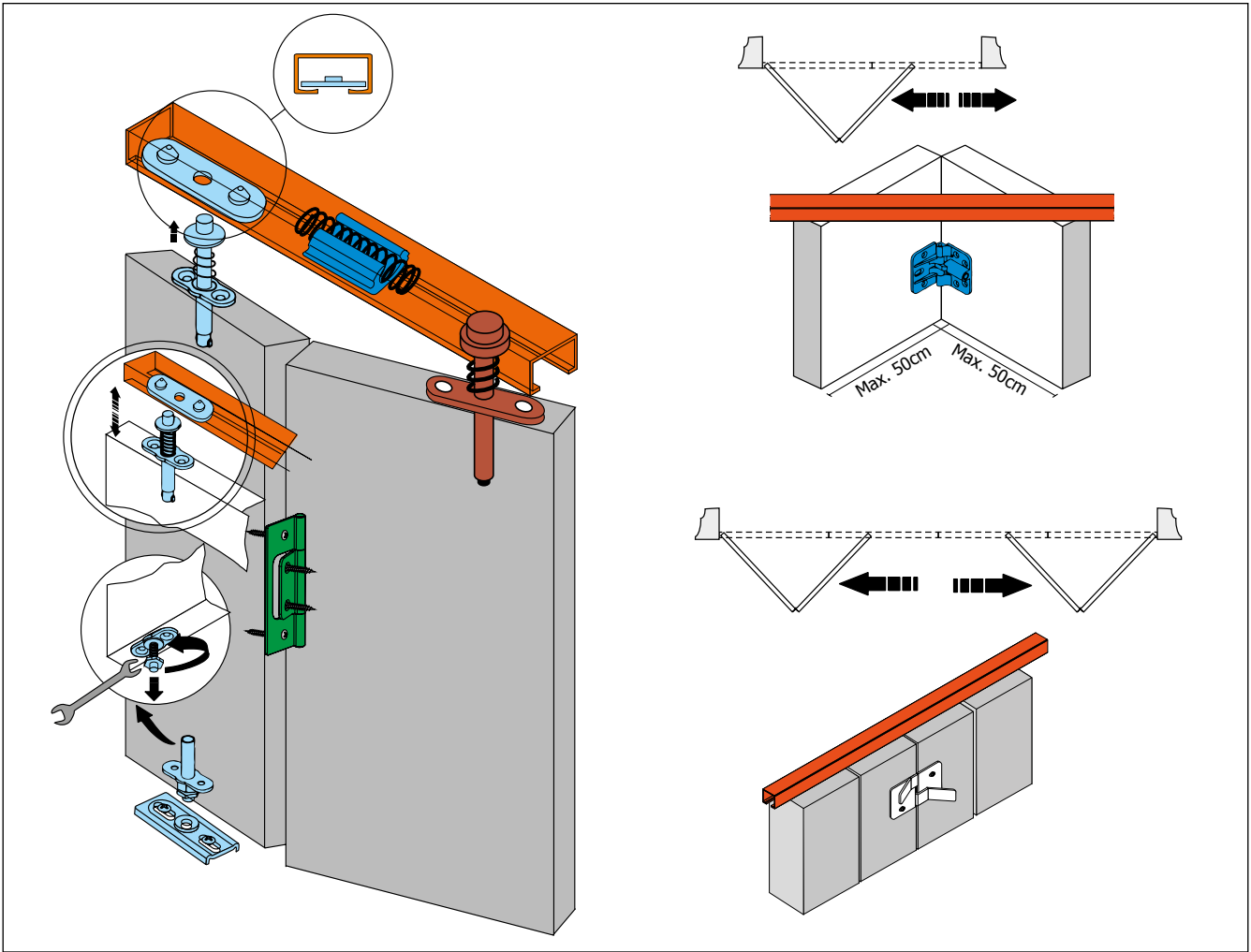


16-40mm
Board



BIFOLD
Sliding door system

BIFOLD System overview



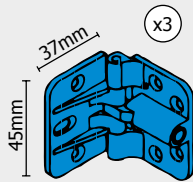
Kit contents for 1 x door

LA009994 1 Door

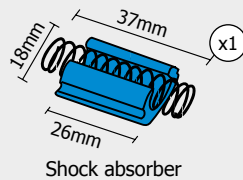


Screw kit

x1

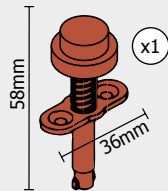


LA001177
Silver LUX catch-bolt hinge



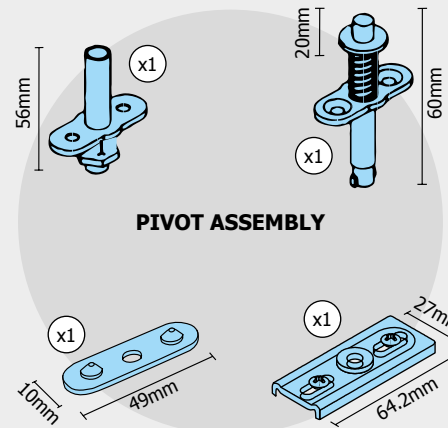
Shock absorber

x1



Upper guide

x1



PIVOT ASSEMBLY

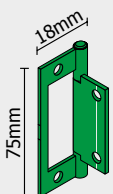
x1

x1

x1

x1

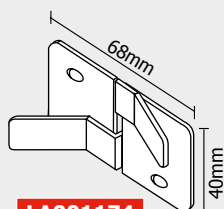
Accessories



Flush hinge

LA001142 (Zinc)

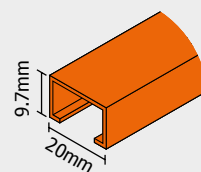
LA001143 (Brass)



LA001174

Guide interlock

Essentials



LA00K159

Upper guide rail