



MultiTech Single-Wall Drawer Height 54mm TECHNICAL SPECIFICATION

NEY Ltd (Head Office)

Stonebridge Trading Estate
Sibree Road
Coventry
CV3 4FD

t 024 7630 8100
f 024 7630 8101
e sales@ney.co.uk

NEY Ireland

Unit 22 Blaris Ind Estate
Altona Road
Lisburn
BT27 5QB

t 028 92 673 000
f 028 92 672 999
e ireland@ney.co.uk

NEY Scotland

Block 2 Units 1-2-3
Bandeath Ind Est
Throsk, Stirling
FK7 7

t 01786 814 814
f 01786 814 812
e scotland@ney.co.uk



MULTITECH SINGLE-WALL DRAWER - HEIGHT 54mm

- Single-wall steel drawer system with roller runner as system with part-extension and self-closing function
- Load capacity 25 kg
- No bottom panel machining
- Quick insertion and removal of the drawer
- Simple assembly and front panel adjustment
- Right hand side has captive roller, tolerance compensation +/- 1mm
- Integrated double stop



Part Extension

25kg

54mm HIGH

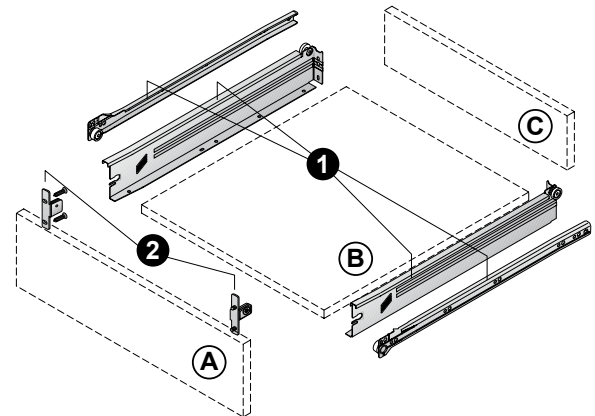
Pack Qty: 10

Depth	Item No.
275mm	278056
350mm	278057
400mm	278059
450mm	278058

Drawer Front Brackets

Pack Qty: 10 sets

Item Number	278082
-------------	--------



All you need for assembling a MultiTech drawer/internal drawer:

- 1 Drawer set
- 2 Front connectors

Not supplied:

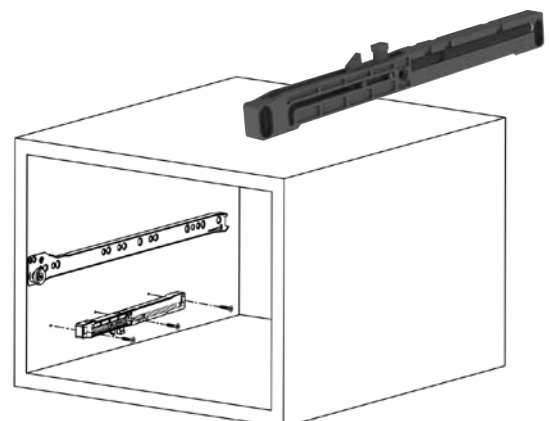
- A Front panel
- B Base panel
- C Back panel



Soft close mechanism

Pack Qty.	Item No.
20	250076

- Used to add soft closing function to MultiTech drawers.
- Same product can be used on left and right sides.
- It is advised to use two products per drawer.

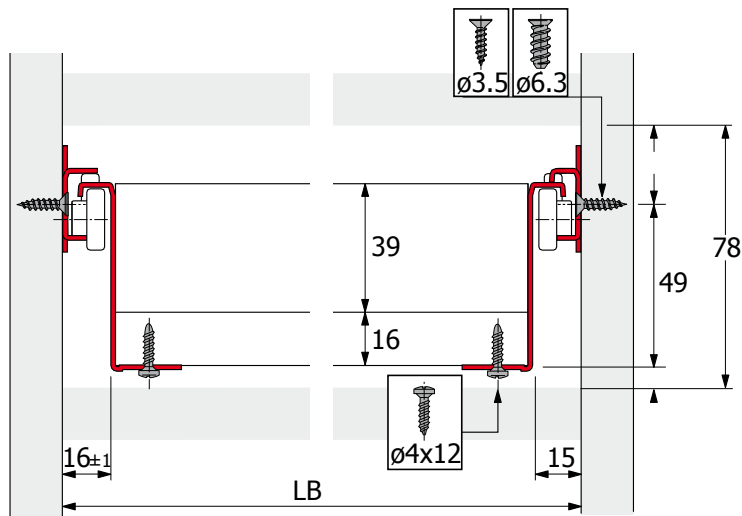


TECHNICAL SPECIFICATION

DIMENSIONS

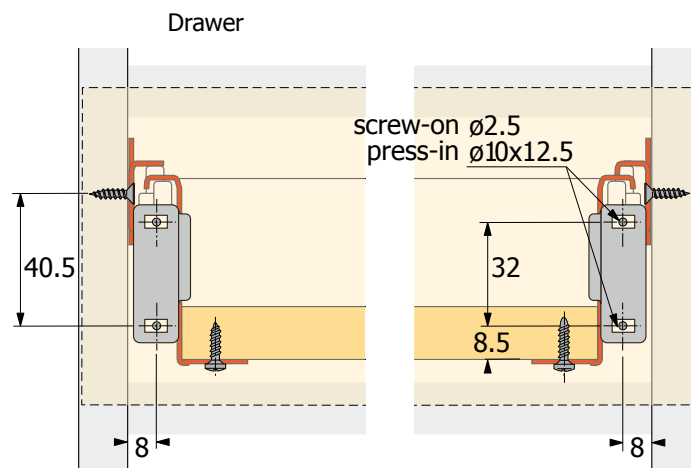
Hole position

Roller runner
/ minimum
installation height.



Hole position

Front connectors



Hole position

Rear panel

