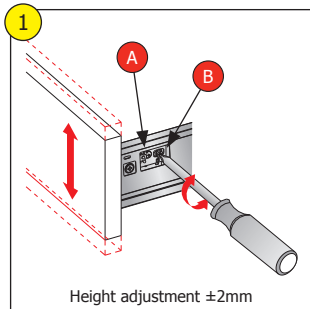


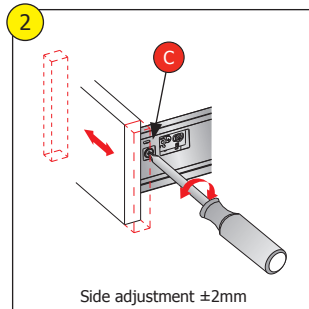
Key: A = Cabinet Depth

Front panel adjustment



Height adjustment $\pm 2\text{mm}$

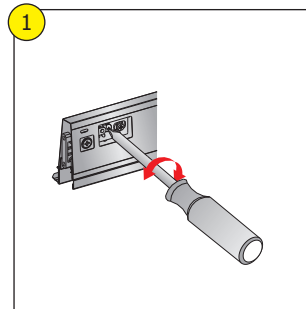
- Release locking screw (A)
- Make height adjustment (B)
- Tighten locking screw (A)



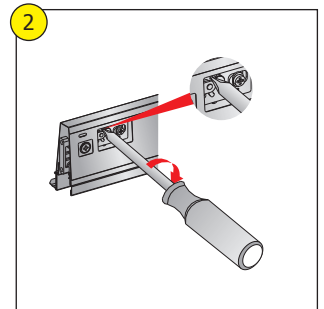
Side adjustment $\pm 2\text{mm}$

- Make side adjustment (B)

Removing front panel

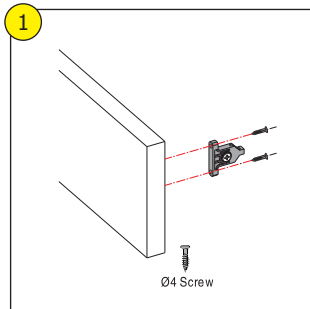


- Release locking screw

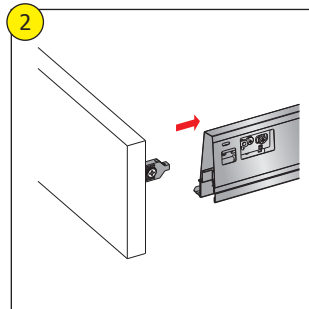


- Release front panel

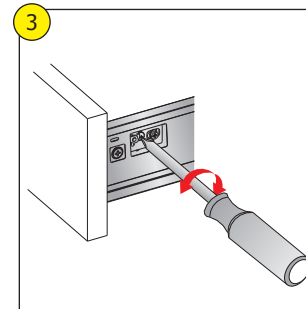
Front panel assembly



- Fix drawer front bracket

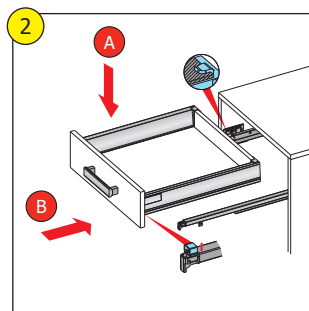
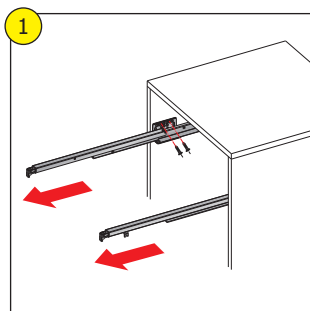


- Clip front brackets into drawer side

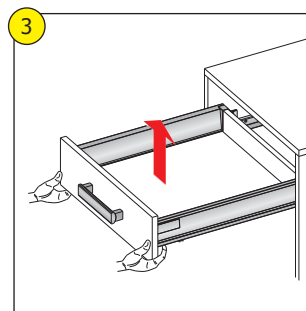


- Tighten locking screw

Drawer installation

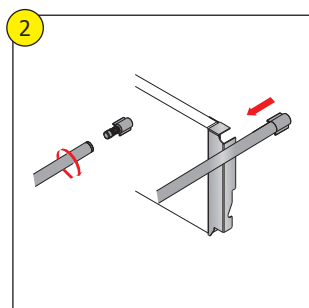
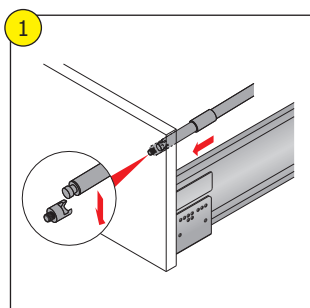


- Place drawer on to slides (A)
- Close drawer shut to engage (B)



- Removing the drawer

Fitting gallery rails



Fitting side panel

