



Quadro V6 4D Under-Mount Full Extension Slides ASSEMBLY GUIDE

NEY Ltd (Head Office)
Stonebridge Trading Estate
Sibree Road
Coventry
CV3 4FD

t 024 7630 8100
f 024 7630 8101
e sales@ney.co.uk

NEY Ireland
Unit 22 Blaris Ind Estate
Altona Road
Lisburn
BT27 5QB

t 028 92 673 000
f 028 92 672 999
e ireland@ney.co.uk

NEY Scotland
Block 2 Units 1-2-3
Bandeath Ind Est
Throsk, Stirling
FK7 7

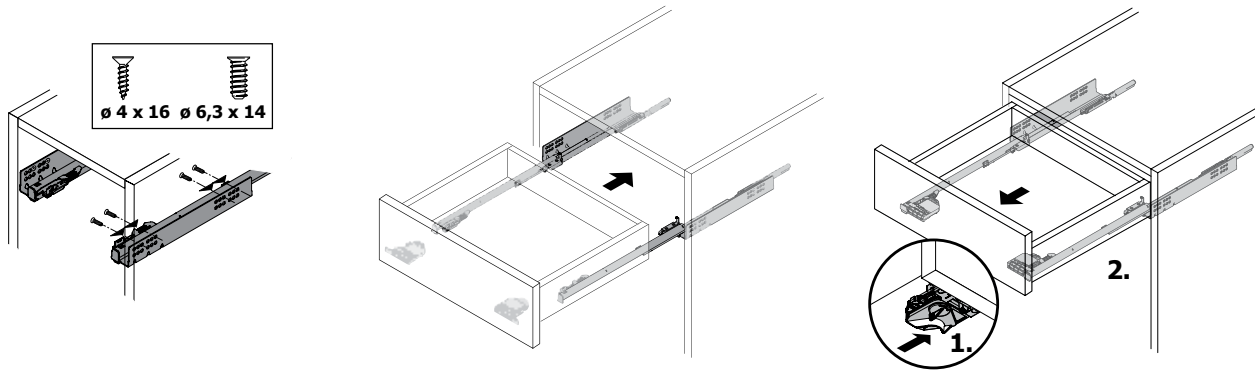
t 01786 814 814
f 01786 814 812
e scotland@ney.co.uk



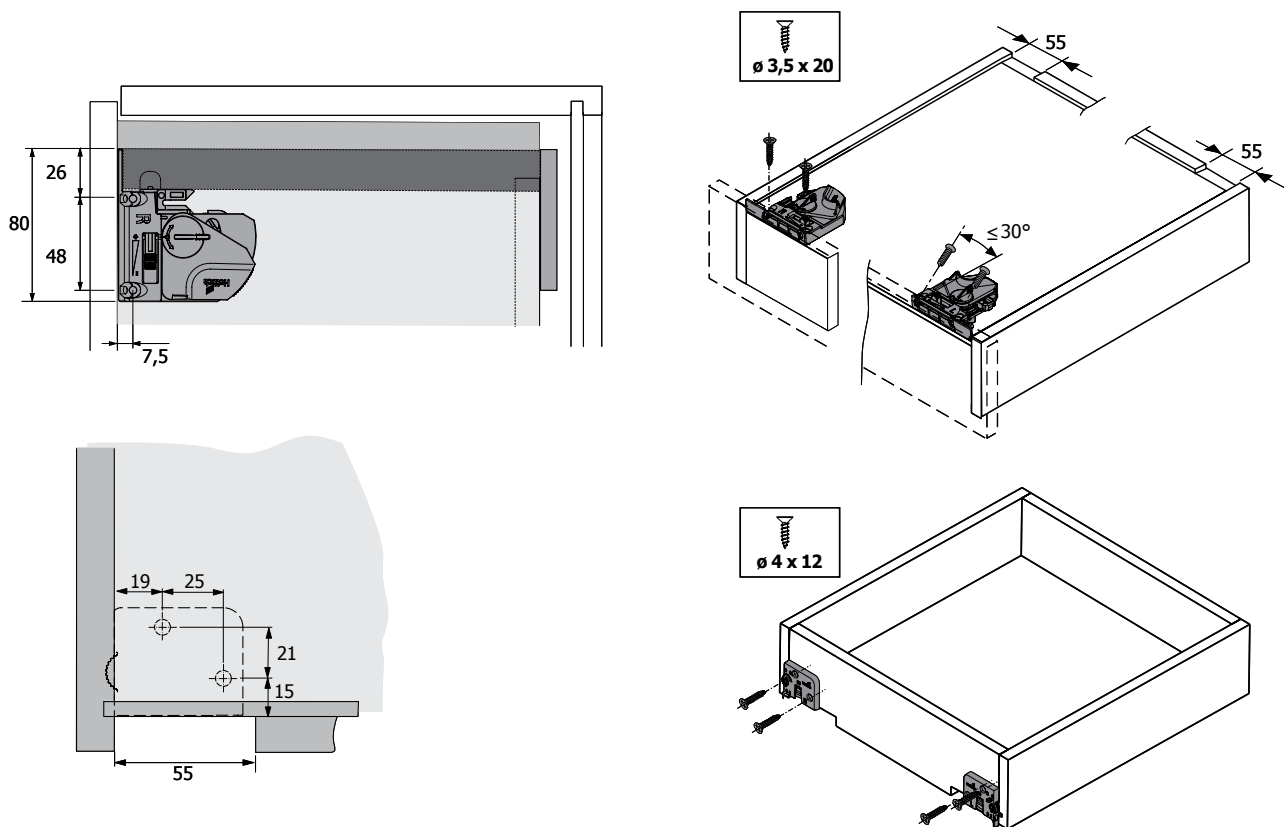
Quadro V6 4D: Under-Mount Full Extension Slides

ASSEMBLY INFORMATION

Quadro 4D V6 full extension runner, slide on installation



Catch and tilt adjuster for wooden drawers with grooved bottom panel (Quadro 4D V6 full extension runner)



Quadro V6 4D: Under-Mount Full Extension Slides

ASSEMBLY INFORMATION

Quadro 4D V6 full extension runner: adjustment of the drawer front panel

