

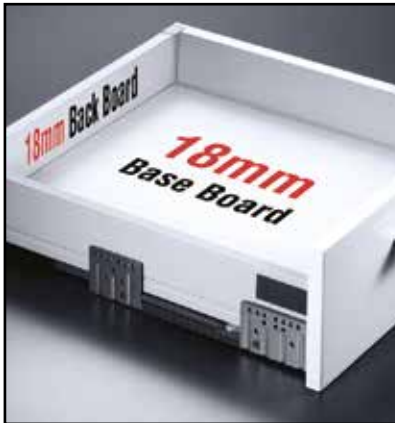
NEY Product Information



Data Sheet

Sambox 150mm High

Drawer Set



NEY Ltd (Head Office)
Stonebridge Trading Estate
Sibree Road
Coventry
CV3 4FD

t 024 7630 8100
f 024 7630 8101
e sales@ney.co.uk

NEY Ireland
Unit 22 Blaris Ind Estate
Altona Road
Lisburn
BT27 5QB

t 028 92 673 000
f 028 92 672 999
e ireland@ney.co.uk

NEY Scotland
Block 2 Units 1-2-3
Bandeath Ind Est
Throsk, Stirling
FK7 7NP

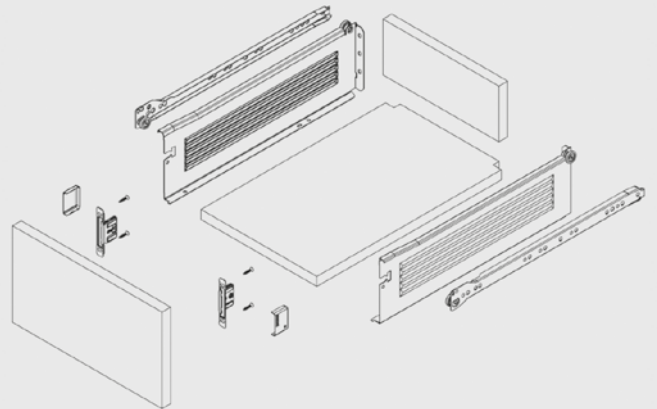
t 01786 814 814
f 01786 814 812
e scotland@ney.co.uk



**NOW WITH
SOFT CLOSING**



Assembly



- Robust steel structure 1.4mm thickness
- Electrostatically painted (Metallic grey, cream & white)
- Gravity self closing feature (from 70mm)
- Safety pull-out system
- 1.4mm thick steel
- Horizontal & vertical adjustment
- 25Kg dynamic loading capacity
- Now with soft closing

Drawer set - Grey

Width	Part Number	Pack Qty
300mm	110297	5
350mm	110301	5
400mm	110305	5
450mm	110308	5
500mm	140400	5
550mm	140402	5

Drawer set - Cream

Width	Part Number	Pack Qty
300mm	110295	5
350mm	110299	5
400mm	110303	5
450mm	110307	5
500mm	110311	5
550mm	273842	5

Drawer set - White

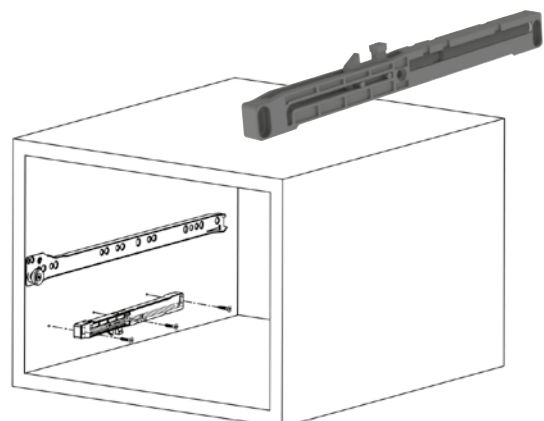
Width	Part Number	Pack Qty
300mm	140396	5
350mm	140397	5
400mm	140398	5
450mm	140399	5
500mm	110310	5
550mm	140401	5



Soft close mechanism

Part Number	Pack Qty
250076	20

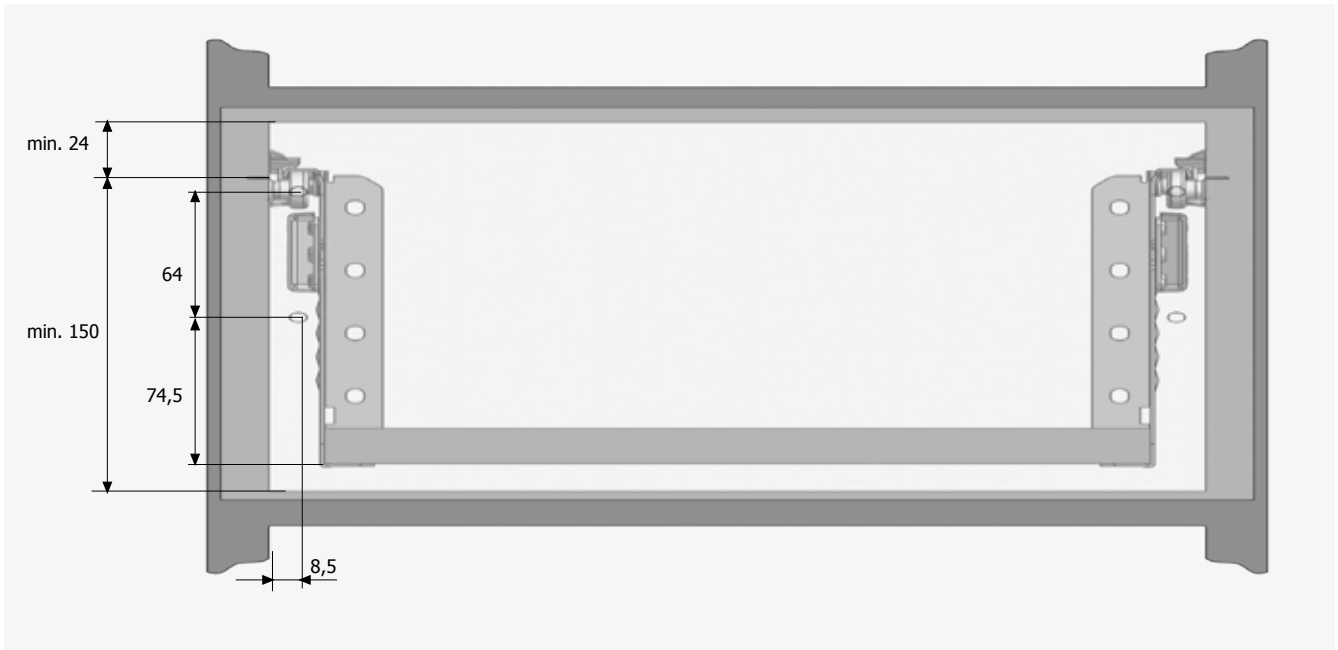
- Used to add soft closing function to Sam Box drawers.
- Same product can be used on left and right sides.
- It is advised to use two products per drawer.



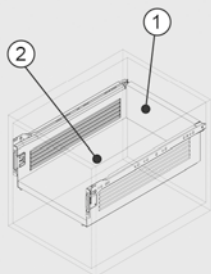
Technical Specifications

NB: All dimensions on these pages are in mm.

Cabinet dimensions

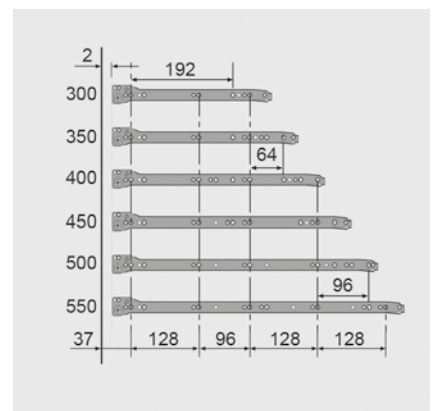


Sizing formulas

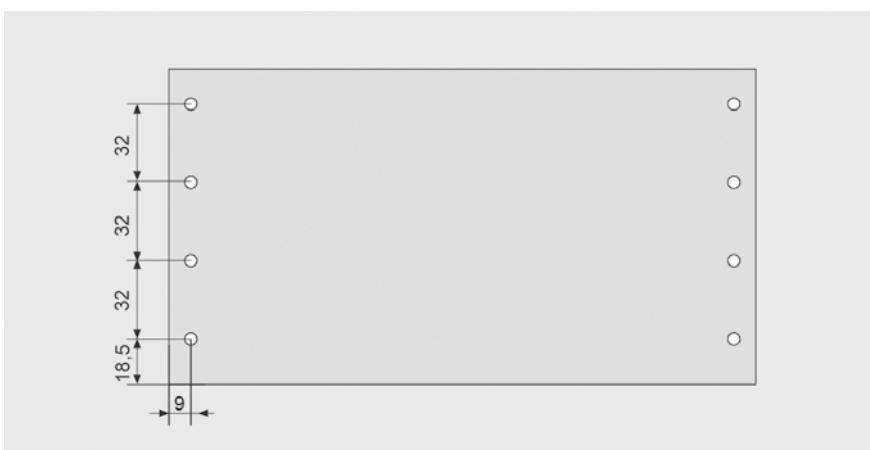


- ①
 Drawer back panel width = cabinet internal width -31mm (max. 33mm)
 Drawer back panel height = min. 136mm (for 15mm chipboard)
 Drawer back panel height = min. 133mm (for 18mm chipboard)
- ②
 Drawer base width = cabinet internal width -31mm (max. 33mm)
 Drawer base length = slide length -1mm

Drilling pattern




Back panel application




Recommended assembly screws

Chipboard screw 3.5 x 16mm

Part Number	Pack Qty
 109503	1000

Euro screw 6.3 x 13mm

Part Number	Pack Qty
 109563	1000