

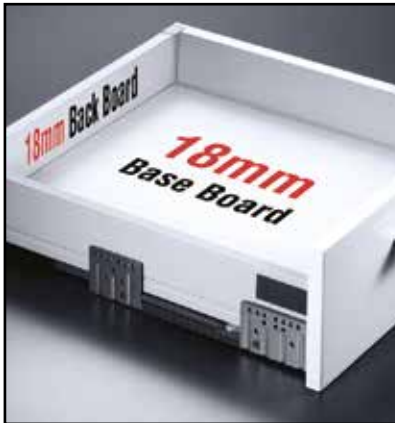
NEY Product Information



Data Sheet

Smart Box Double Gallery Rail

Drawer Set



NEY Ltd (Head Office)
Stonebridge Trading Estate
Sibree Road
Coventry
CV3 4FD

t 024 7630 8100
f 024 7630 8101
e sales@ney.co.uk

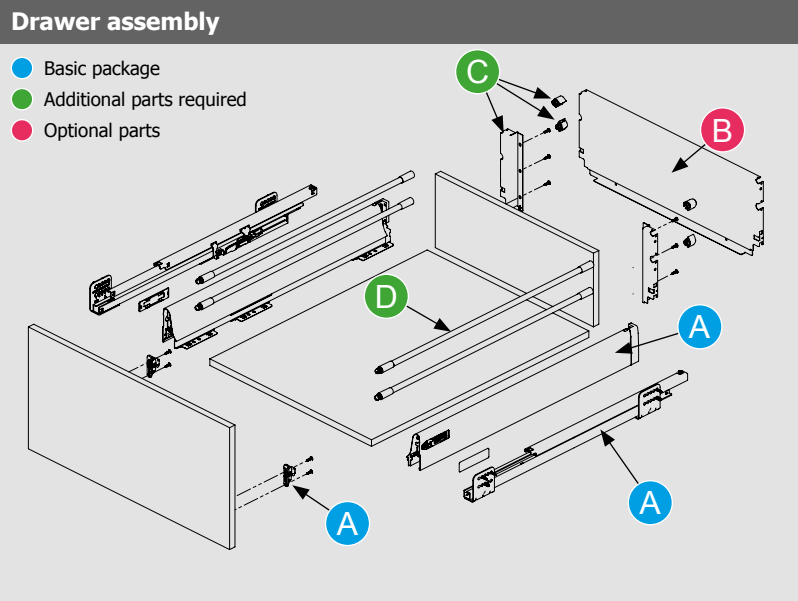
NEY Ireland
Unit 22 Blaris Ind Estate
Altona Road
Lisburn
BT27 5QB

t 028 92 673 000
f 028 92 672 999
e ireland@ney.co.uk

NEY Scotland
Block 2 Units 1-2-3
Bandeath Ind Est
Throsk, Stirling
FK7 7NP

t 01786 814 814
f 01786 814 812
e scotland@ney.co.uk





- New soft close system
- High quality steel side walls
- Full extension
- ±1.5mm horizontal & ±2mm vertical adjustment
- Metal front clips
- Industry standard drilling patterns
- 180mm casing height
- 40kg & 65kg dynamic load capacity
- Drawer widths up to 1200mm
- Smart fit: Easy tool-less drawer fit and removal
- Available in grey and white
- Matching In-Box internal drawers available

A Drawer set - Grey

Size	Part Number	Pack Qty
270mm	142139	4
300mm	142140	4
350mm	142141	4
400mm	142142	4
450mm 40kg	142143	4
450mm 65kg	272928	4
500mm 40kg	142144	4
500mm 65kg	272930	4
550mm	142145	4
600mm	142146	4

A Drawer set - White

Size	Part Number	Pack Qty
270mm	142147	4
300mm	142148	4
350mm	142149	4
400mm	142150	4
450mm 40kg	142151	4
450mm 65kg	272929	4
500mm 40kg	142152	4
500mm 65kg	272931	4
550mm	142153	4
600mm	142154	4

C Backboard holder set - Grey

Part Number	Pack Qty
142160	20

C Backboard holder set - White

Part Number	Pack Qty
142159	20

D Gallery rail set - Grey

Size	Part Number	Pack Qty
270mm	142126	20
300mm	142128	20
350mm	142130	20
400mm	142380	20
450mm	142382	20
500mm	142132	20
550mm	142134	20
600mm	142136	20

D Gallery rail set - White

Size	Part Number	Pack Qty
270mm	142125	20
300mm	142127	20
350mm	142129	20
400mm	142373	20
450mm	142381	20
500mm	142131	20
550mm	142133	20
600mm	142135	20

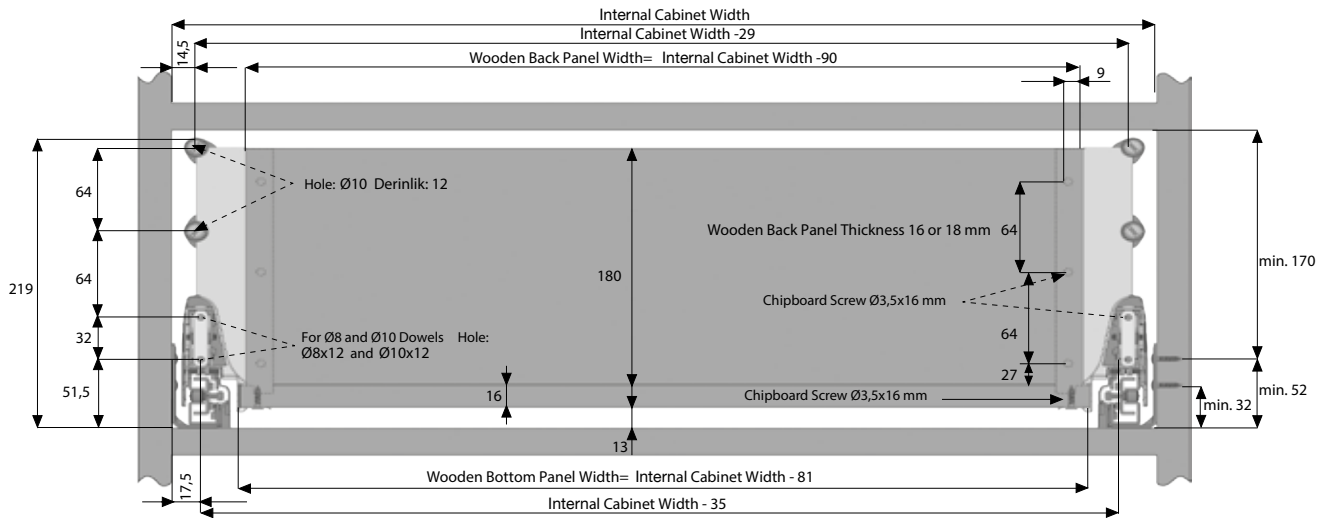
2 sets of gallery rails required per drawer box



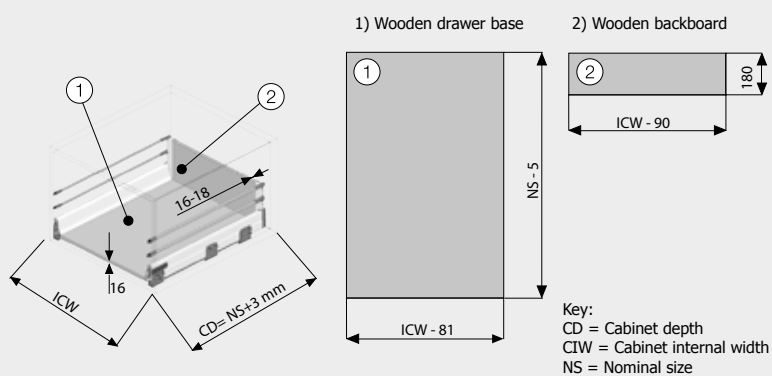
Technical Specifications

NB: All dimensions on these pages are in mm.

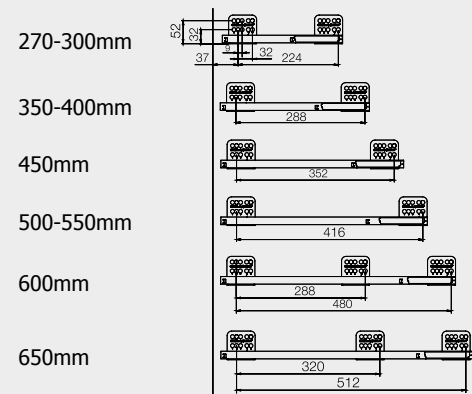
Cabinet dimensions



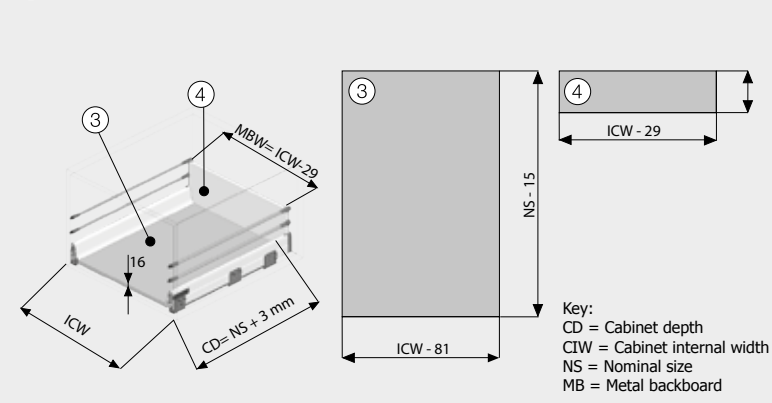
Wooden backboard application



Drilling pattern



B Metal backboard application (Opt)



Recommended assembly screws



Chipboard screw 3.5 x 16mm

Part Number	Pack Qty
109503	1000



Euro screw 6.3 x 13mm

Part Number	Pack Qty
109563	1000

B Metal backboard (Opt) - Grey

Size	Part Number	Pack Qty
300mm	110416	25
450mm	110486	25
500mm	110518	25
600mm	110564	10
800mm	110588	10
900mm	11596	10

B Metal backboard (Opt) - White

Size	Part Number	Pack Qty
300mm	110417	25
450mm	110487	25
500mm	110519	25
600mm	110565	10
800mm	110589	10
900mm	110597	10

