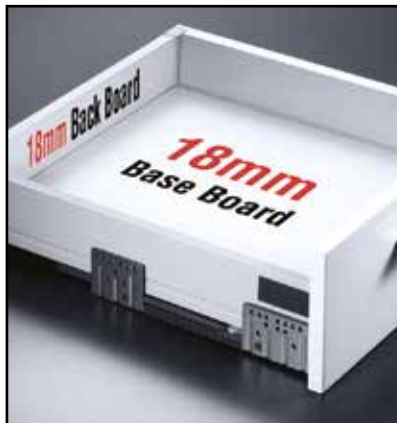


# NEY Product Information



## Data Sheet

### Smart Slide Full Extension Drawer Set



**NEY Ltd (Head Office)**  
Stonebridge Trading Estate  
Sibree Road  
Coventry  
CV3 4FD

**NEY Ireland**  
Unit 22 Blaris Ind Estate  
Altona Road  
Lisburn  
BT27 5QB

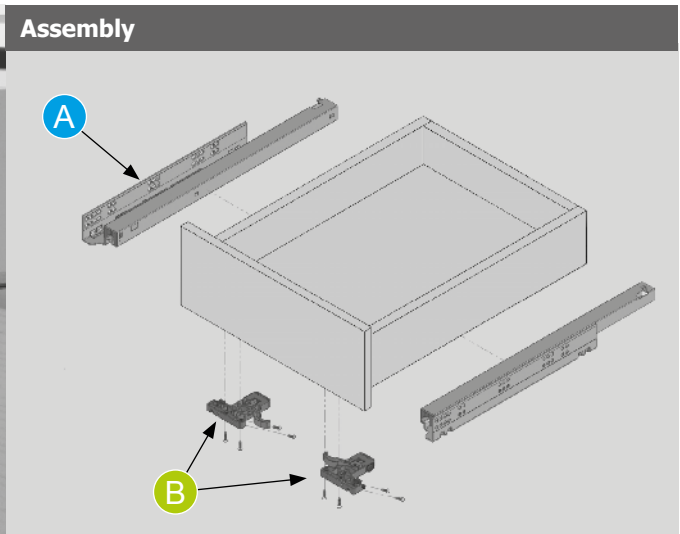
**NEY Scotland**  
Block 2 Units 1-2-3  
Bandeath Ind Est  
Throsk, Stirling  
FK7 7NP

**t** 024 7630 8100  
**f** 024 7630 8101  
**e** sales@ney.co.uk

**t** 028 92 673 000  
**f** 028 92 672 999  
**e** ireland@ney.co.uk

**t** 01786 814 814  
**f** 01786 814 812  
**e** scotland@ney.co.uk





- Improved stability guarantees long durability
- Full extension
- Industry standard drilling patterns
- 30kg dynamic load capacity
- Easy to fit and remove with Smart Lock
- Horizontal & vertical tool-less adjustment
- Optional single or double gallery rail

| A Drawer set |               |          |
|--------------|---------------|----------|
| Width        | Part Number   | Pack Qty |
| 250mm        | <b>110657</b> | 6        |
| 300mm        | <b>110659</b> | 6        |
| 350mm        | <b>110661</b> | 6        |
| 400mm        | <b>110663</b> | 6        |
| 450mm        | <b>110665</b> | 6        |
| 500mm        | <b>110667</b> | 6        |
| 550mm        | <b>110669</b> | 6        |
| 600mm        | <b>110671</b> | 6        |

| B Front catch - Left |          |
|----------------------|----------|
| Part Number          | Pack Qty |
| <b>110673</b>        | 100      |



| B Front catch - Right |          |
|-----------------------|----------|
| Part Number           | Pack Qty |
| <b>110674</b>         | 100      |



## Smart Lock®

Easily adjust the drawer front in both the horizontal and vertical directions using the Smart Lock system.

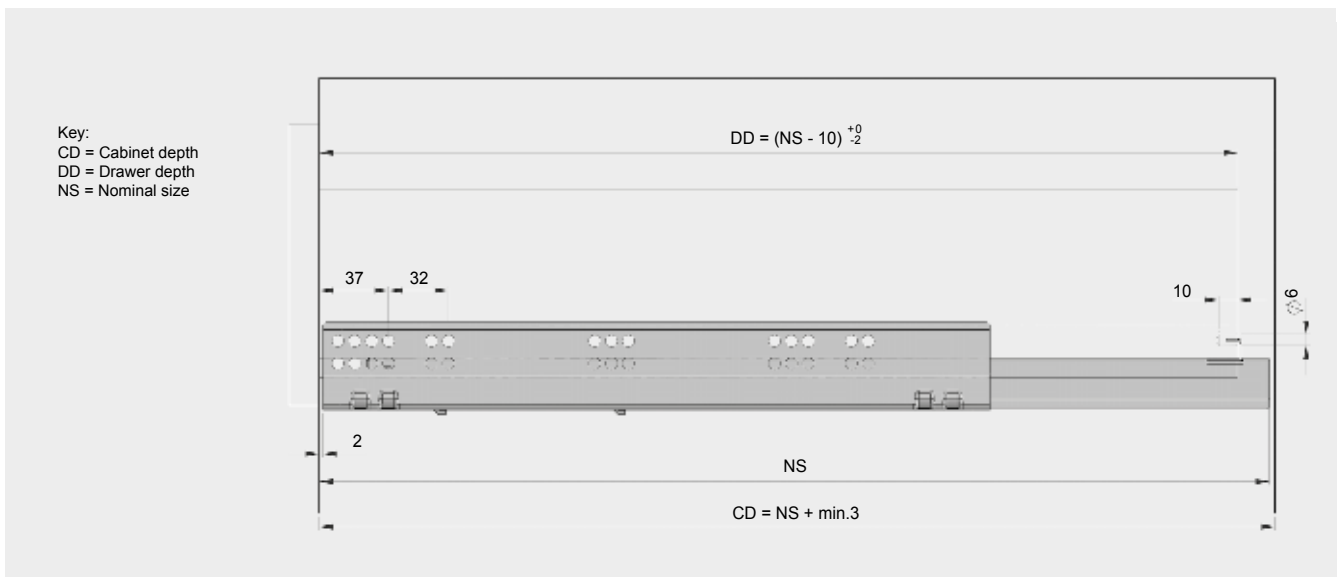
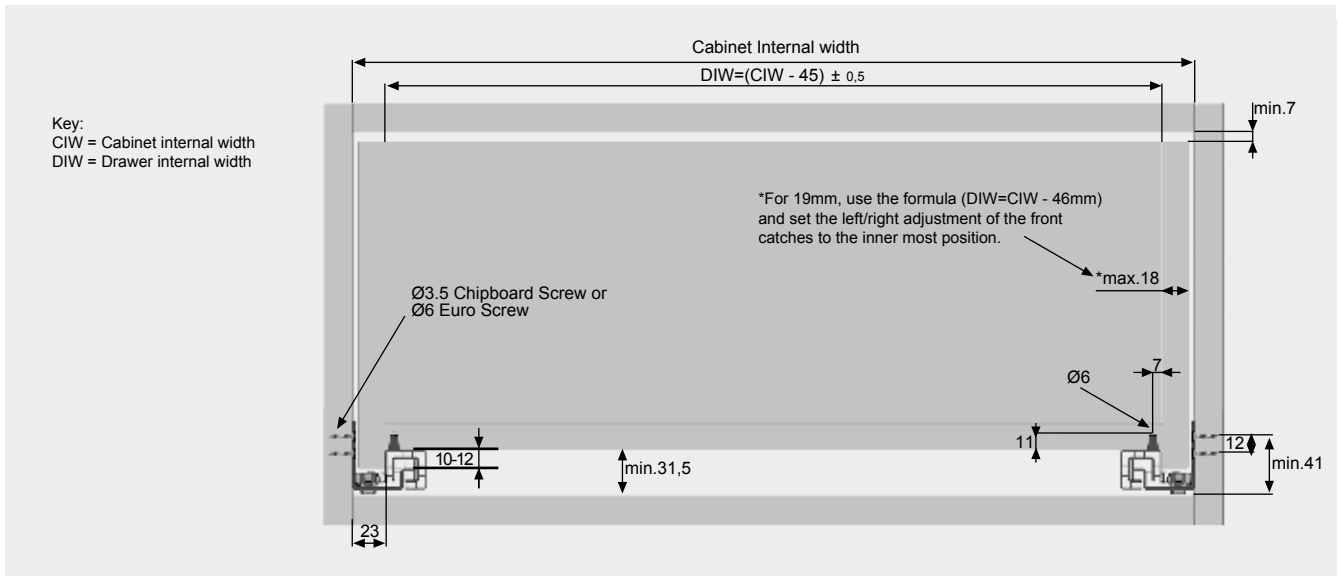
To remove the drawer front, simply pull the latches.



# Technical Specifications

NB: All dimensions on these pages are in mm.

## Cabinet dimensions



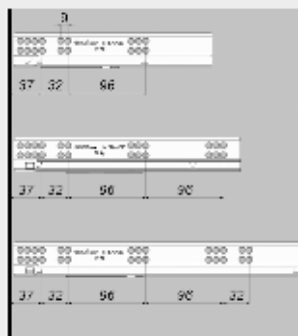
## Drilling pattern

250-300mm

350-400mm


450-500mm

550-600mm




## Recommended assembly screws

### Chipboard screw 3.5 x 16mm

| Part Number   | Pack Qty |
|---|----------|
|  <b>109503</b> | 1000     |

### Euro screw 6.3 x 13mm

| Part Number   | Pack Qty |
|---|----------|
|  <b>109563</b> | 1000     |