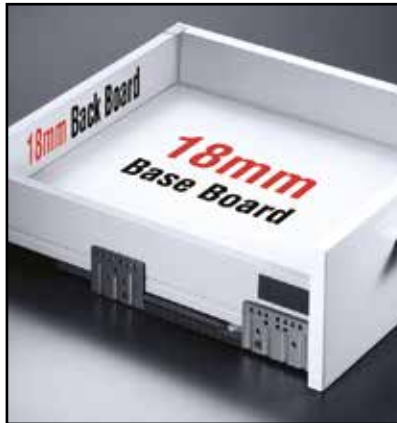


NEY Product Information



Data Sheet

Drawer Stabiliser for Smart Slide
Drawer Set



NEY Ltd (Head Office)
Stonebridge Trading Estate
Sibree Road
Coventry
CV3 4FD

t 024 7630 8100
f 024 7630 8101
e sales@ney.co.uk

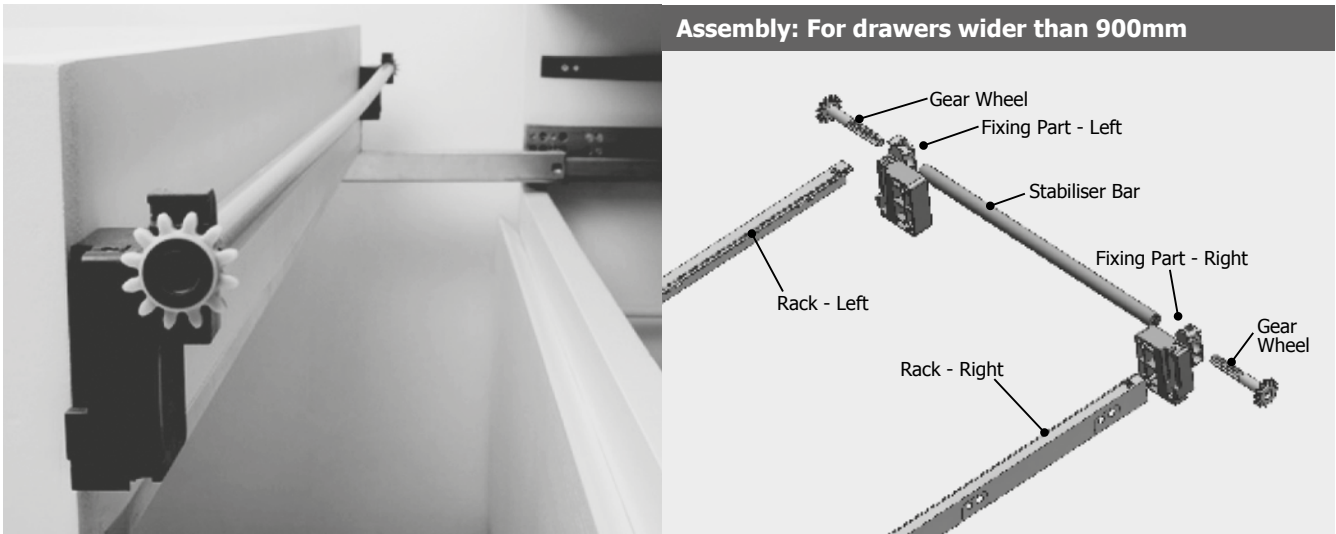
NEY Ireland
Unit 22 Blaris Ind Estate
Altona Road
Lisburn
BT27 5QB

t 028 92 673 000
f 028 92 672 999
e ireland@ney.co.uk

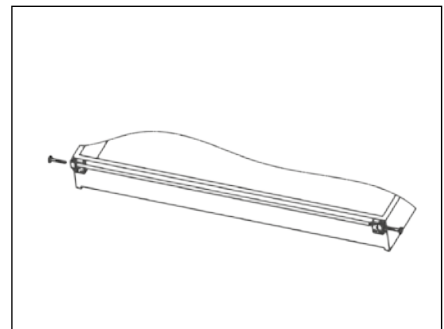
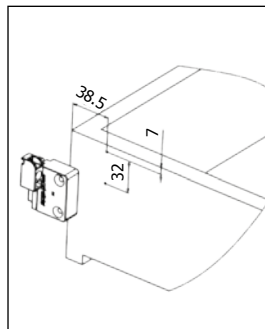
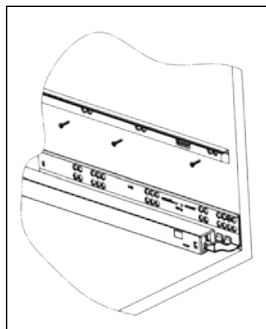
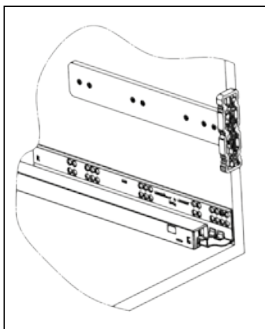
NEY Scotland
Block 2 Units 1-2-3
Bandeath Ind Est
Throsk, Stirling
FK7 7NP

t 01786 814 814
f 01786 814 812
e scotland@ney.co.uk





Side panel applications

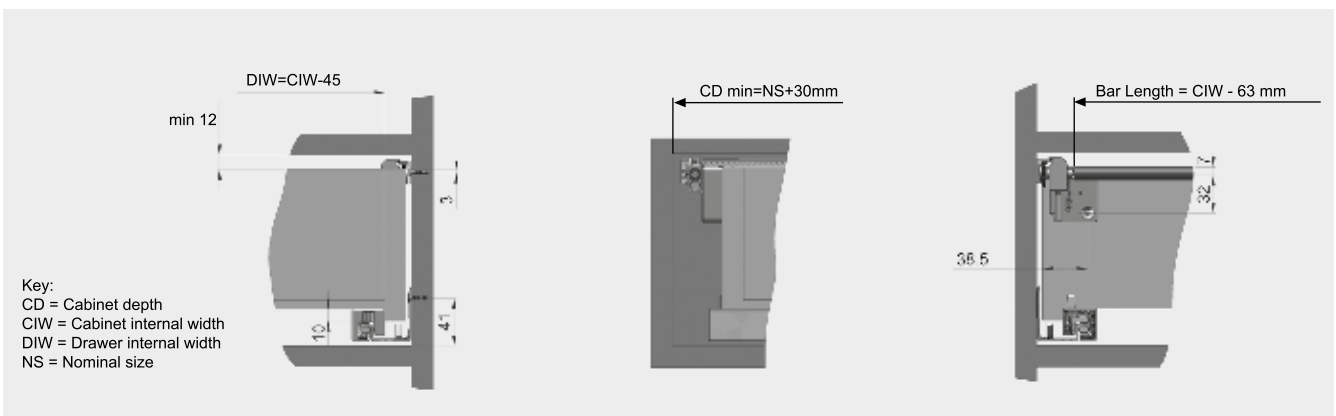


Rack fixing holes can be drilled to the sides of the cabinet using the Smart drilling jig.

Fix the wheel holder to the back of the drawer box following the dims above.

Place the stabiliser bar in between the wheel holders to complete assembly.

Cabinet dimensions



Drawer stabiliser

Size	Part Number	Pack Qty
450mm	110676	20
500mm	110677	20

Size	Part Number	Pack Qty
550mm	110678	20
600mm	110679	20

Stabiliser rack mounting: Recommended for drawers wider than 900mm

Nominal Size	Cabinet Width
450mm	480mm
500mm	530mm
550mm	580mm
600mm	630mm

