



STAR BOX

ASSEMBLY GUIDE

NEY Ltd (Head Office)
Stonebridge Trading Estate
Sibree Road
Coventry
CV3 4FD

t 024 7630 8100
f 024 7630 8101
e sales@ney.co.uk

NEY Ireland
Unit 22 Blaris Ind Estate
Altona Road
Lisburn
BT27 5QB

t 028 92 673 000
f 028 92 672 999
e ireland@ney.co.uk

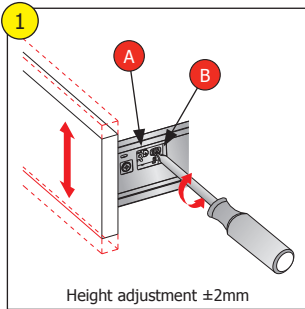
NEY Scotland
Block 2 Units 1-2-3
Bandeath Ind Est
Throsk, Stirling
FK7 7NP

t 01786 814 814
f 01786 814 812
e scotland@ney.co.uk



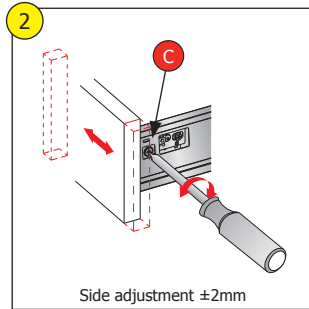
Star Box Assembly Guide

Front panel adjustment



Height adjustment $\pm 2\text{mm}$

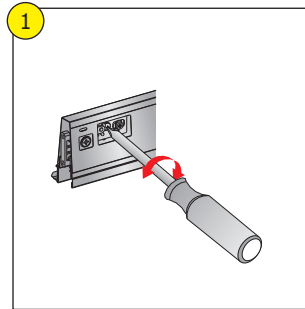
- Release locking screw (A)
- Make height adjustment (B)
- Tighten locking screw (A)



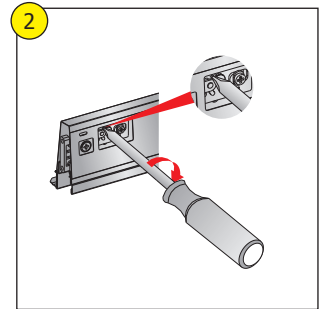
Side adjustment $\pm 2\text{mm}$

- Make side adjustment (B)

Removing front panel

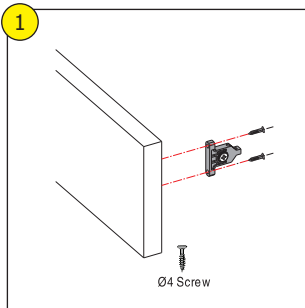


- Release locking screw



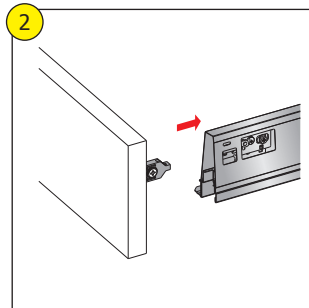
- Release front panel

Front panel assembly

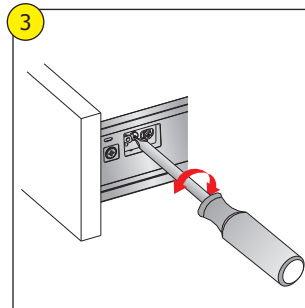


Ø4 Screw

- Fix drawer front bracket

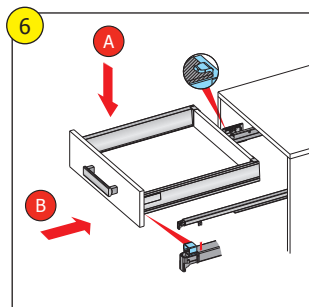
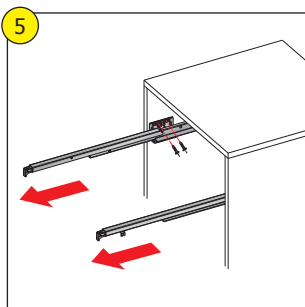
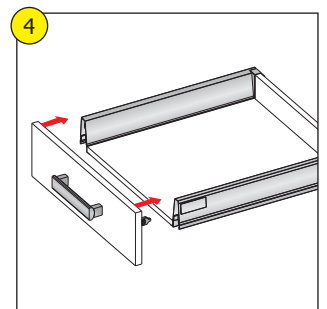
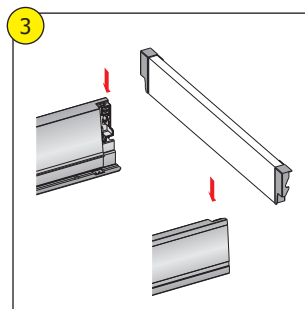
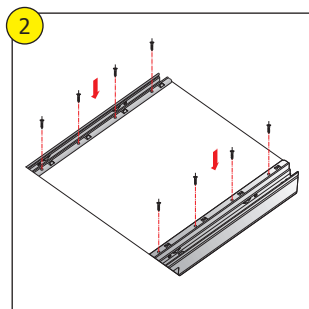
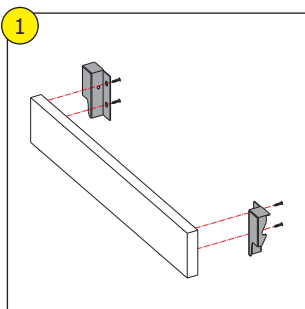


- Clip front brackets into drawer side

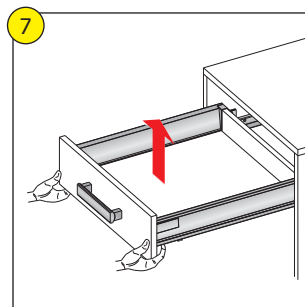


- Tighten locking screw

Drawer assembly



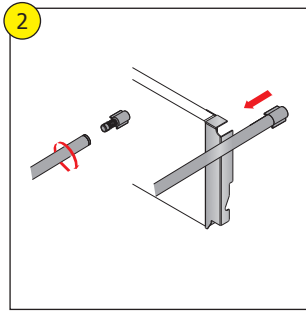
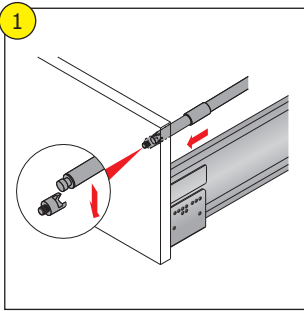
- Place drawer on to slides (A)
- Close drawer shut to engage (B)



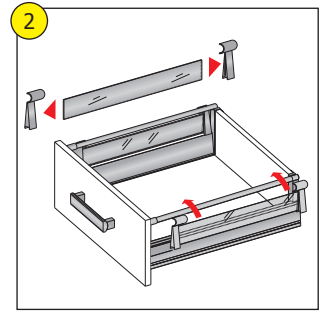
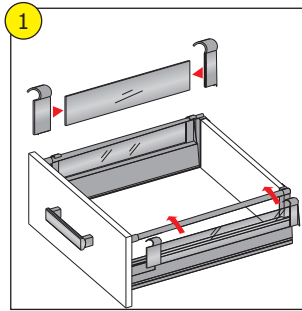
- Removing the drawer

Star Box Assembly Guide

Fitting gallery rails



Fitting side panel



Fitting 6mm glass side panel

