

# NEY Product Information



## Data Sheet

### 110° Impro Hinge

Hinges & Lift Systems



**NEY Ltd (Head Office)**  
Stonebridge Trading Estate  
Sibree Road  
Coventry  
CV3 4FD

**t** 024 7630 8100  
**f** 024 7630 8101  
**e** sales@ney.co.uk

**NEY Ireland**  
Unit 22 Blaris Ind Estate  
Altona Road  
Lisburn  
BT27 5QB

**t** 028 92 673 000  
**f** 028 92 672 999  
**e** ireland@ney.co.uk

**NEY Scotland**  
Block 2 Units 1-2-3  
Bandeath Ind Est  
Throsk, Stirling  
FK7 7NP

**t** 01786 814 814  
**f** 01786 814 812  
**e** scotland@ney.co.uk





*You decide how fast it closes!*

**impro**

Soft closing with damper adjustment

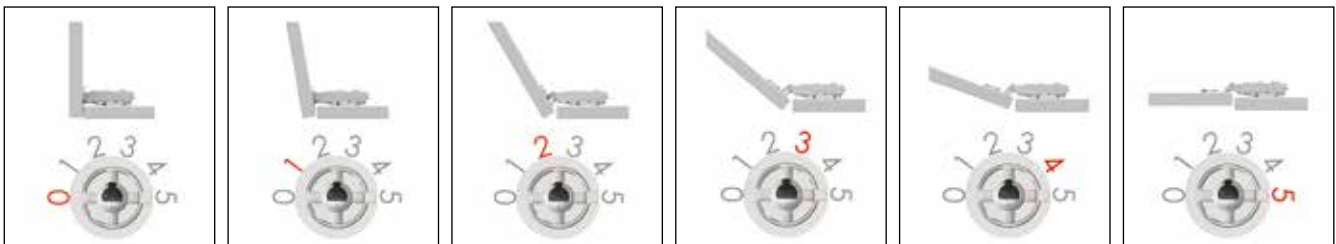
With the 5 step brake system, cabinets close gradually - just the way you choose!

- Soft closing adjustment from level 1-5.
- User decides how fast the cabinet doors close.
- De-activate the damper by using level 0.
- 3D movement; inside / outside, up / down, forward / backward with use of eccentric mounting plates.
- Attach and detach the hinge with one touch.

0 = Off

Light Door

Heavy Door

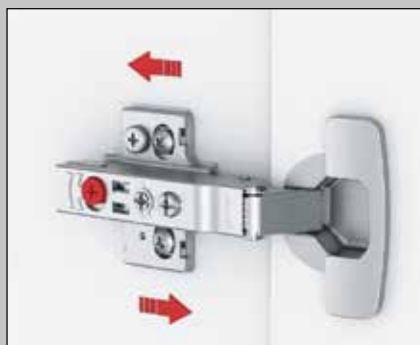
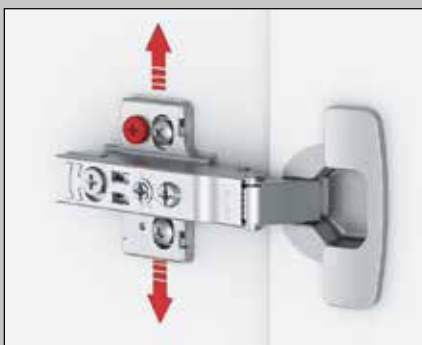


### 3D Adjustment

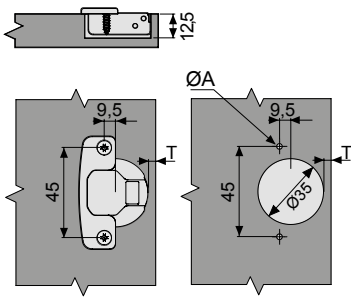
Vertical adjustment

Horizontal adjustment

Fine adjustment



- Opening angle 110°
- Cup diameter 35mm
- Cam adjustment
- Cup depth 12.5mm
- Nickel Coating



**Associated products**

Mounting plates - Clip On: Pg 136

Decorative covers: Pg 145

**CLIP ON - SOFT CLOSE**



OVERLAY	0mm
Pack Qty: 125	
Item Number	Description
261354	No Screw
261360	Euro Screw
261357	8mm Dowel

HALF OVERLAY	9mm
Pack Qty: 125	
Item Number	Description
261355	No Screw
261361	Euro Screw
261358	8mm Dowel

INSET	18mm
Pack Qty: 125	
Item Number	Description
261356	No Screw
261362	Euro Screw
261359	8mm Dowel

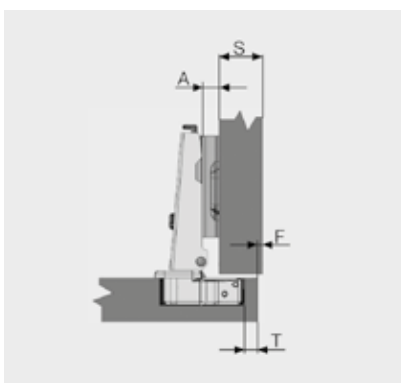
**CLIP ON - NON SOFT CLOSE**



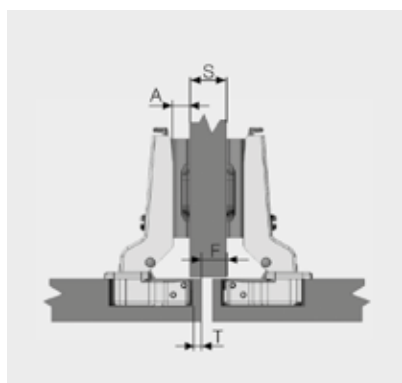
OVERLAY	0mm
Pack Qty: 125	
Item Number	Description
262279	No Screw
262282	8mm Dowel

HALF OVERLAY	9mm
Pack Qty: 125	
Item Number	Description
262280	No Screw
262283	8mm Dowel

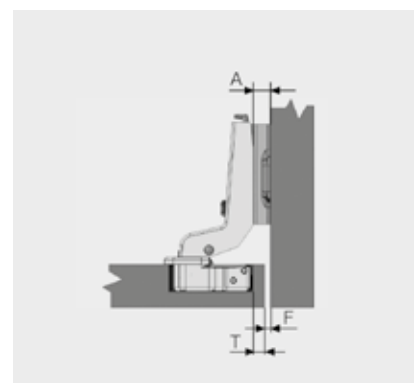
INSET	18mm
Pack Qty: 125	
Item Number	Description
262281	No Screw
262284	8mm Dowel



Formula:  $A = 18 + F + T - S$



Formula:  $A = 9 + F + T - S$



Formula:  $A = F + T$

**Calculation tables**

S	Side Thickness	18				16	
A	Mounting Plate Thickness	5	7	7	7	9	9
F	Minimum Gap	1	1	2	1	1	2
T	Cup Distance	4	6	5	4	6	5

S	Side Thickness	18				16	
A	Mounting Plate Thickness	5	7	7	7	7	-
F	Minimum Gap	10	10	11	9	10	-
T	Cup Distance	4	6	5	4	4	-

S	Side Thickness	18				16	
A	Mounting Plate Thickness	5	7	7	-	-	-
F	Minimum Gap	1	1	2	-	-	-
T	Cup Distance	4	6	5	-	-	-

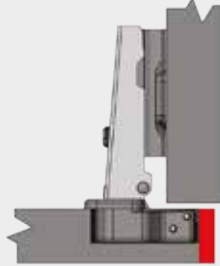
# KEY: Used In Elite Hinge Formula Tables

## Key

DOOR THICKNESS **K**



CUP DISTANCE **T**



FUGA **F**



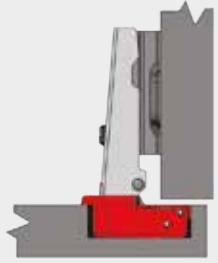
SIDE WALL THICKNESS **S**



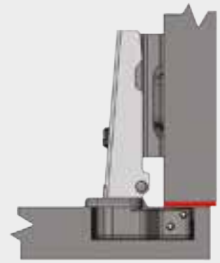
MOUNTING PLATE THICKNESS **A**



CUP DRILLING DIAMETER **D**



MINIMUM GAP **G**



OVERLAY **B**

