

# NEY Product Information



## Data Sheet

### 165° Invo Hinge

Hinges & Lift Systems



**NEY Ltd (Head Office)**  
Stonebridge Trading Estate  
Sibree Road  
Coventry  
CV3 4FD

**t** 024 7630 8100  
**f** 024 7630 8101  
**e** sales@ney.co.uk

**NEY Ireland**  
Unit 22 Blaris Ind Estate  
Altona Road  
Lisburn  
BT27 5QB

**t** 028 92 673 000  
**f** 028 92 672 999  
**e** ireland@ney.co.uk

**NEY Scotland**  
Block 2 Units 1-2-3  
Bandeath Ind Est  
Throsk, Stirling  
FK7 7NP

**t** 01786 814 814  
**f** 01786 814 812  
**e** scotland@ney.co.uk



- Opening angle 110°
- Cup diameter 35mm
- Cup depth 12.5mm
- Cam adjustment
- Nickel Coating

### CLIP ON - SOFT CLOSE



### OVERLAY

**0mm**

Pack Qty: 250

Item Number	Description
<b>274290</b>	No Screw

### HALF OVERLAY

**9mm**

Pack Qty: 250

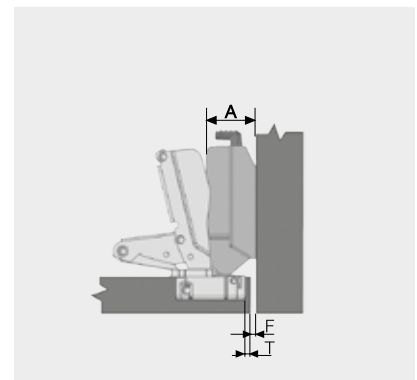
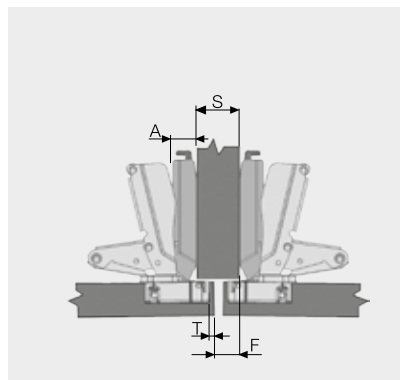
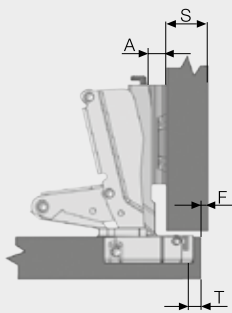
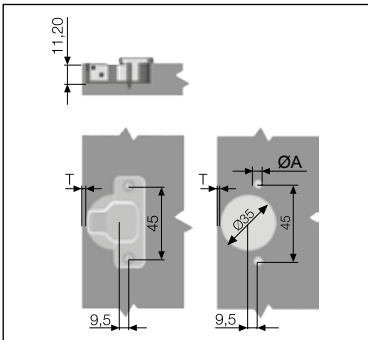
Item Number	Description
<b>274291</b>	No Screw

### INSET

**18mm**

Pack Qty: 250

Item Number	Description
<b>274293</b>	No Screw



### Calculation tables

		A - Mounting Plate		
		5	7	9
B - Overlay	12			3
	13			4
	14		3	5
	15		4	6
	16	3	5	7
	17	4	6	
	18	5	7	
	19	6		
	20	7		
		T - Cup Distance		

		A - Mounting Plate			
		5	7	9	
B - Overlay	3			3	
	4			4	
	5		3	5	
	6		4	6	
	7	3	5	7	
	8	4	6		
	9	5	7		
	10	6			
	11	7			
			T - Cup Distance		

		A - Mounting Plate		
		5	7	9
B - Overlay	6			3
	5			4
	4		3	5
	3		4	6
	2	3	5	7
	1	4	6	
	0	5	7	
		T - Cup Distance		

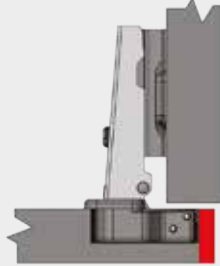
# KEY: Used In Elite Hinge Formula Tables

## Key

DOOR THICKNESS **K**



CUP DISTANCE **T**



FUGA **F**



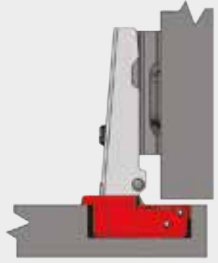
SIDE WALL THICKNESS **S**



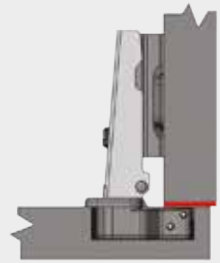
MOUNTING PLATE THICKNESS **A**



CUP DRILLING DIAMETER **D**



MINIMUM GAP **G**



OVERLAY **B**

