



## Data Sheet

### 110° Reverse Spring Hinge

Hinges & Lift Systems



**NEY Ltd (Head Office)**  
Stonebridge Trading Estate  
Sibree Road  
Coventry  
CV3 4FD

**t** 024 7630 8100  
**f** 024 7630 8101  
**e** sales@ney.co.uk

**NEY Ireland**  
Unit 22 Blaris Ind Estate  
Altona Road  
Lisburn  
BT27 5QB

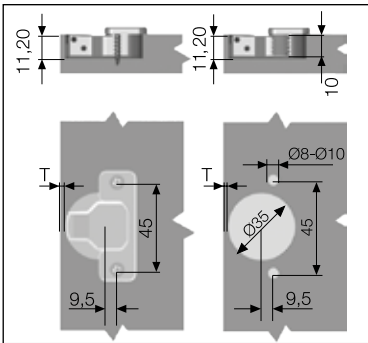
**t** 028 92 673 000  
**f** 028 92 672 999  
**e** ireland@ney.co.uk

**NEY Scotland**  
Block 2 Units 1-2-3  
Bandeath Ind Est  
Throsk, Stirling  
FK7 7NP

**t** 01786 814 814  
**f** 01786 814 812  
**e** scotland@ney.co.uk



- Opening angle 110°
- Cup diameter 35mm
- Cup depth 11.2mm
- Nickel Coating



## CLIP ON



OVERLAY	0mm
Pack Qty: 250	
Item Number	Description
110837	No Screw
110838	8mm Dowel

HALF OVERLAY	9mm
Pack Qty: 250	
Item Number	Description
110839	No Screw
110840	8mm Dowel

INSET	18mm
Pack Qty: 250	
Item Number	Description
110841	No Screw
110842	8mm Dowel

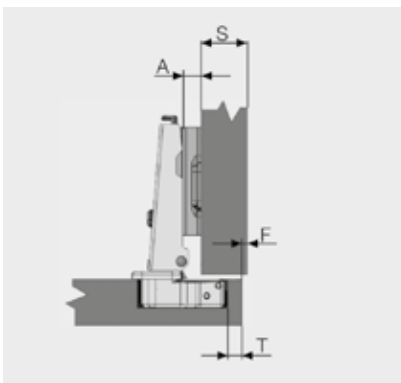
## SLIDE ON



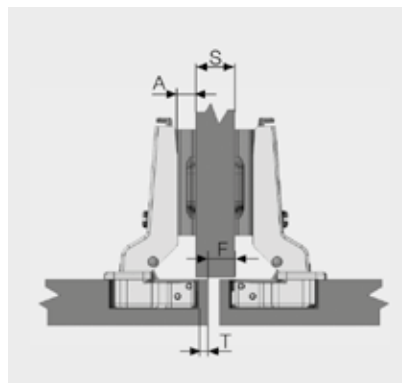
OVERLAY	0mm
Pack Qty: 250	
Item Number	Description
110825	No Screw
110826	8mm Dowel

HALF OVERLAY	9mm
Pack Qty: 250	
Item Number	Description
110827	No Screw
110828	8mm Dowel

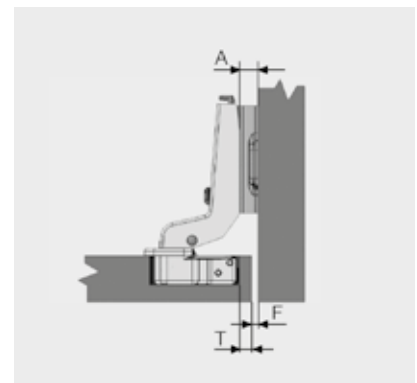
INSET	18mm
Pack Qty: 250	
Item Number	Description
110829	No Screw
110830	8mm Dowel



$$\text{Formula: } A = 18 + F + T - S$$



$$\text{Formula: } A = 9 + F + T - S$$



$$\text{Formula: } A = F + T$$

## Calculation tables

S	Side Thickness	18			15		
A	Mounting Plate Thickness	5	7	7	7	9	9
F	Minimum Gap	1	1	2	1	1	2
T	Cup Distance	4	6	5	4	6	5

S	Side Thickness	18			15		
A	Mounting Plate Thickness	5	7	7	7	7	-
F	Minimum Gap	10	10	11	9	10	-
T	Cup Distance	4	6	5	5	4	-

S	Side Thickness	18			15		
A	Mounting Plate Thickness	5	7	7	-	-	-
F	Minimum Gap	1	1	2	-	-	-
T	Cup Distance	4	6	5	-	-	-

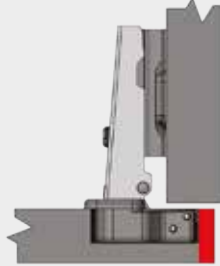
# KEY: Used In Elite Hinge Formula Tables

## Key

DOOR THICKNESS **K**



CUP DISTANCE **T**



FUGA **F**



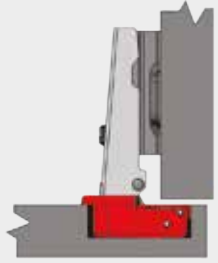
SIDE WALL THICKNESS **S**



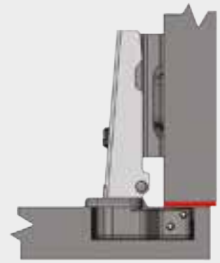
MOUNTING PLATE THICKNESS **A**



CUP DRILLING DIAMETER **D**



MINIMUM GAP **G**



OVERLAY **B**

