

NEY Product Information



Data Sheet

110° Thick Door Hinge

Hinges & Lift Systems



NEY Ltd (Head Office)
Stonebridge Trading Estate
Sibree Road
Coventry
CV3 4FD

t 024 7630 8100
f 024 7630 8101
e sales@ney.co.uk

NEY Ireland
Unit 22 Blaris Ind Estate
Altona Road
Lisburn
BT27 5QB

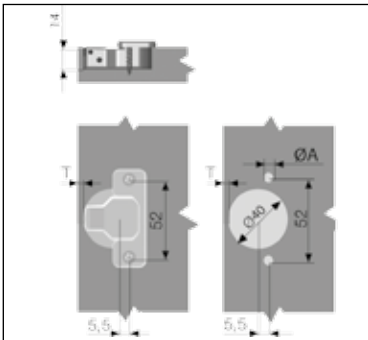
t 028 92 673 000
f 028 92 672 999
e ireland@ney.co.uk

NEY Scotland
Block 2 Units 1-2-3
Bandeath Ind Est
Throsk, Stirling
FK7 7NP

t 01786 814 814
f 01786 814 812
e scotland@ney.co.uk



- Opening angle 110°
- Cup diameter 40mm
- Cup depth 14mm
- Nickel Coating
- Door thickness 18-36mm



CLIP ON



OVERLAY

0mm

Pack Qty: 250

Item Number Description

110779 No Screw

HALF OVERLAY

9mm

Pack Qty: 250

Item Number Description

110780 No Screw

INSET

18mm

Pack Qty: 250

Item Number Description

110781 No Screw

SLIDE ON



OVERLAY

0mm

Pack Qty: 250

Item Number Description

110776 No Screw

HALF OVERLAY

9mm

Pack Qty: 250

Item Number Description

110777 No Screw

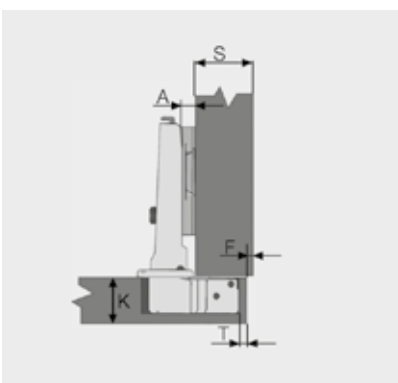
INSET

18mm

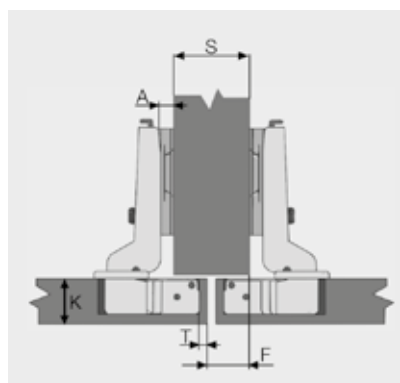
Pack Qty: 250

Item Number Description

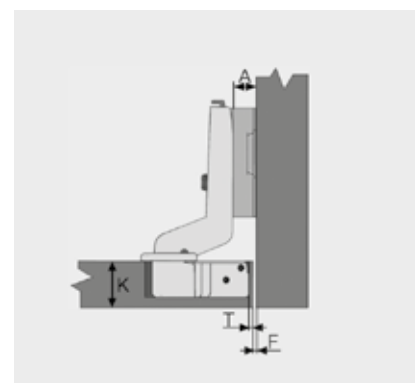
110778 No Screw



Formula: $A = 25 + F + T - S$



Formula: $A = 16 + F + T - S$



Formula: $A = 7 + F + T$

Calculation tables

S	Side Thickness	15			32		
A	Mounting Plate Thickness	5	7	9	5	5	5
	+7.5mm Distance						
F	Minimum Gap	0	2	4	0	2	4
T	Cup Distance	3.5	3.5	3.5	12	10	8

S	Side Thickness	15			50		
A	Mounting Plate Thickness	7	9	-	5	7	9
	+7.5mm Distance						
F	Minimum Gap	10	10	-	27	27	27
T	Cup Distance	4.5	6.5	-	12	10	8

S	Side Thickness	15			50		
A	Mounting Plate Thickness	7	9	-			
	+7.5mm Distance						
F	Minimum Gap	4	4	-			
T	Cup Distance	3.5	5.5	-			

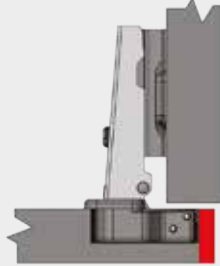
KEY: Used In Elite Hinge Formula Tables

Key

DOOR THICKNESS **K**



CUP DISTANCE **T**



FUGA **F**



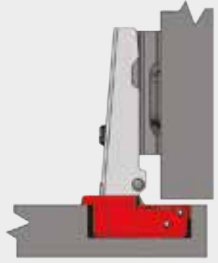
SIDE WALL THICKNESS **S**



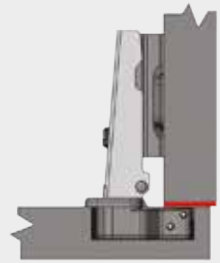
MOUNTING PLATE THICKNESS **A**



CUP DRILLING DIAMETER **D**



MINIMUM GAP **G**



OVERLAY **B**

