

# NEY Product Information



## Data Sheet

### 90° Blind Corner Hinge

Hinges & Lift Systems



**NEY Ltd (Head Office)**  
Stonebridge Trading Estate  
Sibree Road  
Coventry  
CV3 4FD

**t** 024 7630 8100  
**f** 024 7630 8101  
**e** sales@ney.co.uk

**NEY Ireland**  
Unit 22 Blaris Ind Estate  
Altona Road  
Lisburn  
BT27 5QB

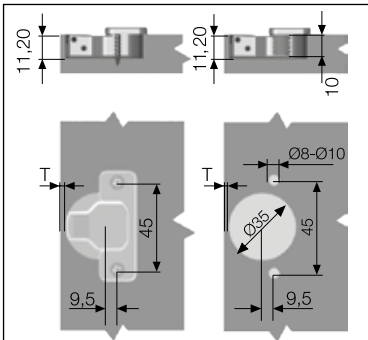
**t** 028 92 673 000  
**f** 028 92 672 999  
**e** ireland@ney.co.uk

**NEY Scotland**  
Block 2 Units 1-2-3  
Bandeath Ind Est  
Throsk, Stirling  
FK7 7NP

**t** 01786 814 814  
**f** 01786 814 812  
**e** scotland@ney.co.uk



- Opening angle 110°
- Cup diameter 35mm
- Cup depth 11.2mm
- Nickel Coating



### CLIP ON



### SLIDE ON



### OVERLAY 0mm

Pack Qty: 250	
Item Number	Description
<b>110702</b>	No Screw

### OVERLAY 0mm

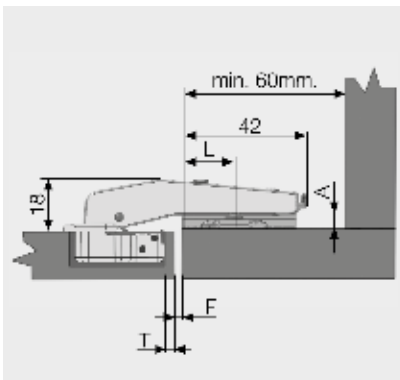
Pack Qty: 250	
Item Number	Description
<b>110684</b>	No Screw

### REVERSE SPRUNG

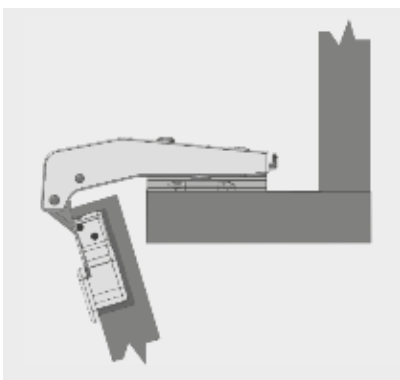
Pack Qty: 250	
Item Number	Description
<b>141116</b>	No Screw

### UNSPRUNG

Pack Qty: 250	
Item Number	Description
<b>141117</b>	No Screw



T	L	A	F
3	19	5	2
4	19	5	1



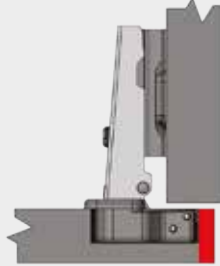
# KEY: Used In Elite Hinge Formula Tables

## Key

DOOR THICKNESS **K**



CUP DISTANCE **T**



FUGA **F**



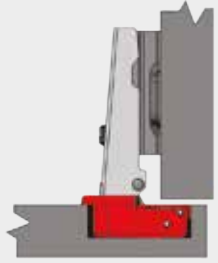
SIDE WALL THICKNESS **S**



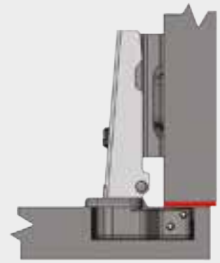
MOUNTING PLATE THICKNESS **A**



CUP DRILLING DIAMETER **D**



MINIMUM GAP **G**



OVERLAY **B**

