

NEY Product Information



Data Sheet

95° Aluminium Framed Door Hinge

Hinges & Lift Systems



NEY Ltd (Head Office)
Stonebridge Trading Estate
Sibree Road
Coventry
CV3 4FD

t 024 7630 8100
f 024 7630 8101
e sales@ney.co.uk

NEY Ireland
Unit 22 Blaris Ind Estate
Altona Road
Lisburn
BT27 5QB

t 028 92 673 000
f 028 92 672 999
e ireland@ney.co.uk

NEY Scotland
Block 2 Units 1-2-3
Bandeath Ind Est
Throsk, Stirling
FK7 7NP

t 01786 814 814
f 01786 814 812
e scotland@ney.co.uk



- Opening angle 95°
- Nickel Coating

CLIP ON



OVERLAY

0mm

Pack Qty: 250

Item Number	Description
110756	No Screw

HALF OVERLAY

9mm

Pack Qty: 250

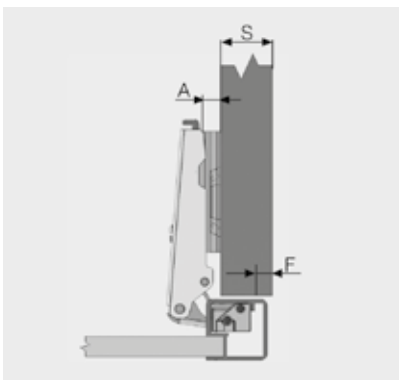
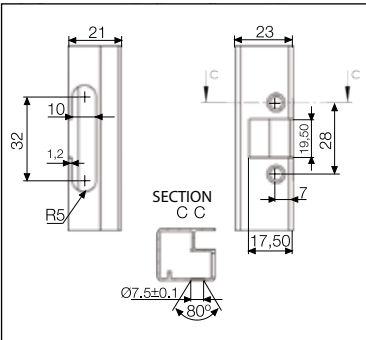
Item Number	Description
110757	No Screw

INSET

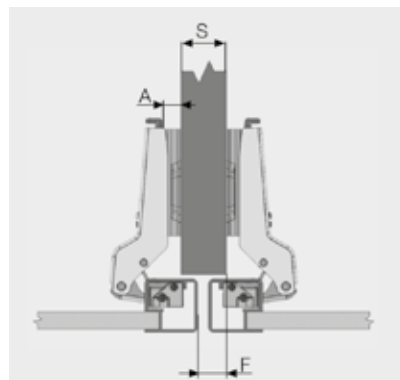
18mm

Pack Qty: 250

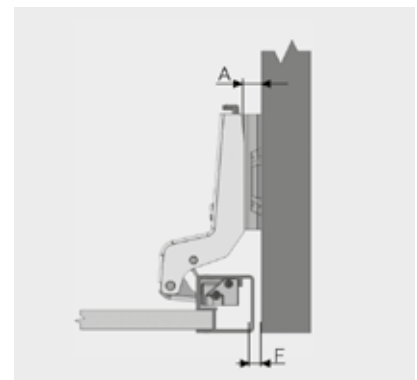
Item Number	Description
110758	No Screw



Formula: $A = 23 + F - S$



Formula: $A = 14 + F - S$



Formula: $A = 5 + F$

Calculation tables

S	Side Thickness	18	15		
A	Mounting Plate Thickness	5	7	7	9
F	Minimum Gap	0	2	0	2

S	Side Thickness	18	15		
A	Mounting Plate Thickness	6	7	7	-
F	Minimum Gap	10	11	9	-

S	Side Thickness	18	15		
A	Mounting Plate Thickness	7	-	-	-
F	Minimum Gap	2	-	-	-

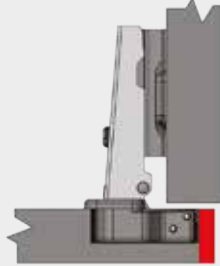
KEY: Used In Elite Hinge Formula Tables

Key

DOOR THICKNESS **K**



CUP DISTANCE **T**



FUGA **F**



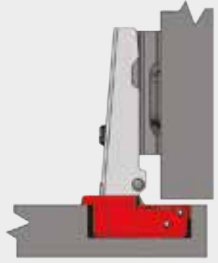
SIDE WALL THICKNESS **S**



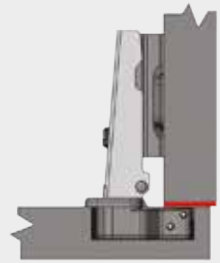
MOUNTING PLATE THICKNESS **A**



CUP DRILLING DIAMETER **D**



MINIMUM GAP **G**



OVERLAY **B**

