



## Data Sheet

### Mini Hinge and Mini Hinge Plate

Hinges & Lift Systems



**NEY Ltd (Head Office)**  
Stonebridge Trading Estate  
Sibree Road  
Coventry  
CV3 4FD

**t** 024 7630 8100  
**f** 024 7630 8101  
**e** sales@ney.co.uk

**NEY Ireland**  
Unit 22 Blaris Ind Estate  
Altona Road  
Lisburn  
BT27 5QB

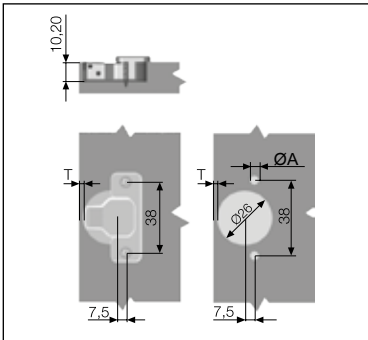
**t** 028 92 673 000  
**f** 028 92 672 999  
**e** ireland@ney.co.uk

**NEY Scotland**  
Block 2 Units 1-2-3  
Bandeath Ind Est  
Throsk, Stirling  
FK7 7NP

**t** 01786 814 814  
**f** 01786 814 812  
**e** scotland@ney.co.uk



- Opening angle 110°
- Cup diameter 26mm
- Cup depth 10.2mm
- Nickel Coating



## SLIDE ON - MINI HINGE



OVERLAY	0mm
Pack Qty: 250	
Item Number	Description
110717	No Screw
110726	Euro Screw
110720	8mm Dowel

HALF OVERLAY	9mm
Pack Qty: 250	
Item Number	Description
110718	No Screw
110727	Euro Screw
110721	8mm Dowel

INSET	18mm
Pack Qty: 250	
Item Number	Description
110719	No Screw
110728	Euro Screw
110722	8mm Dowel

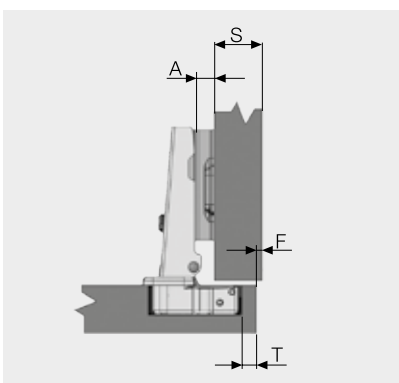
## SLIDE ON - MINI HINGE PLATE



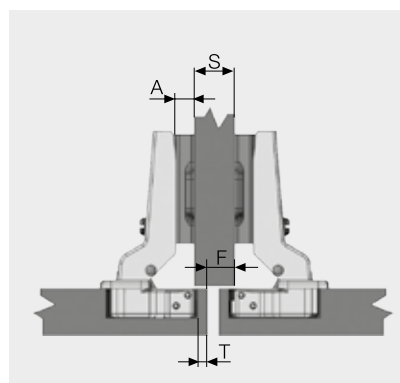
MOUNTING PLATE	2mm
Pack Qty: 250	
Item Number	Description
110731	No Screw
110734	Euro Screw
110866	8mm Dowel

MOUNTING PLATE	3mm
Pack Qty: 250	
Item Number	Description
140403	No Screw
110852	Euro Screw
140404	8mm Dowel

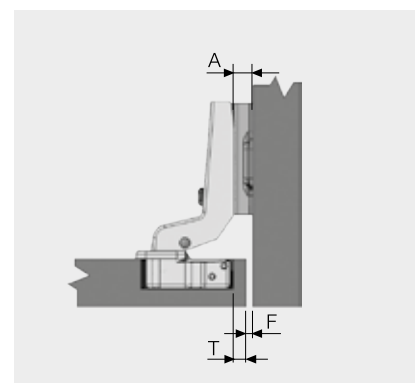
MOUNTING PLATE	4mm
Pack Qty: 250	
Item Number	Description
110732	No Screw
110735	Euro Screw
110733	8mm Dowel



$$\text{Formula: } A = 15 + F + T - S$$



$$\text{Formula: } A = 6 + F + T - S$$



$$\text{Formula: } A = F + T - 3$$

## Calculation tables

S	Side Thickness	18			15		
A	Mounting Plate Thickness	2	2	3	3	3	4
F	Minimum Gap	2	1	3	1	0	2
T	Cup Distance	3	4	3	3	4	3

S	Side Thickness	18			15		
A	Mounting Plate Thickness	2	2	3	3	4	4
F	Minimum Gap	11	10	12	10	11	10
T	Cup Distance	3	4	3	3	3	4

A	Mounting Plate Thickness	2	3	3	-	-	-
F	Minimum Gap	2	3	2	-	-	-
T	Cup Distance	3	3	4	-	-	-

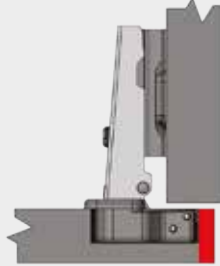
# KEY: Used In Elite Hinge Formula Tables

## Key

DOOR THICKNESS **K**



CUP DISTANCE **T**



FUGA **F**



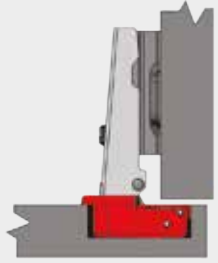
SIDE WALL THICKNESS **S**



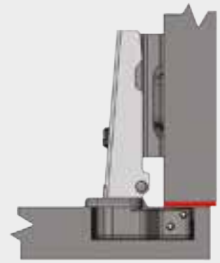
MOUNTING PLATE THICKNESS **A**



CUP DRILLING DIAMETER **D**



MINIMUM GAP **G**



OVERLAY **B**

