



95° Refrigerator Hinge TECHNICAL SPECIFICATION

NEY Ltd (Head Office)

Stonebridge Trading Estate
Sibree Road
Coventry
CV3 4FD

t 024 7630 8100
f 024 7630 8101
e sales@ney.co.uk

NEY Ireland

Unit 22 Blaris Ind Estate
Altona Road
Lisburn
BT27 5QB

t 028 92 673 000
f 028 92 672 999
e ireland@ney.co.uk

NEY Scotland

Block 2 Units 1-2-3
Bandeath Ind Est
Throsk, Stirling
FK7 7

t 01786 814 814
f 01786 814 812
e scotland@ney.co.uk

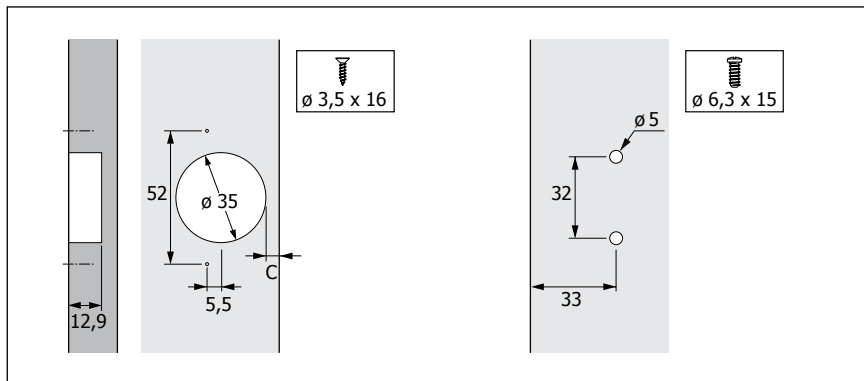


95° REFRIGERATOR HINGE

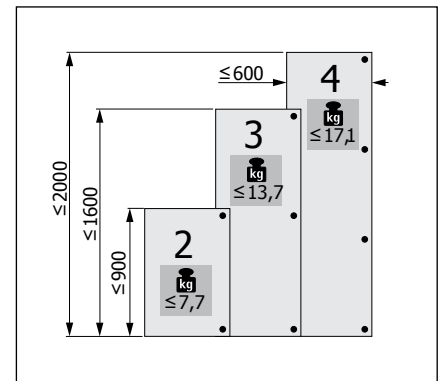
- Special hinge with short hinge protrusion for refrigerator surrounds
- Cup diameter 35mm, Cup depth 12.8mm
- With stay close function
- Including mounting plate and distance plate (distance 3mm) for overlays of 13-18mm
- Integrated +1mm / -1mm overlay adjustment
Integrated depth adjustment +3mm / -3mm
- Hinge arm material: steel, nickel plated
- Cup hinge material: zinc die-cast nickel plated.
Distance plate material: White plastic



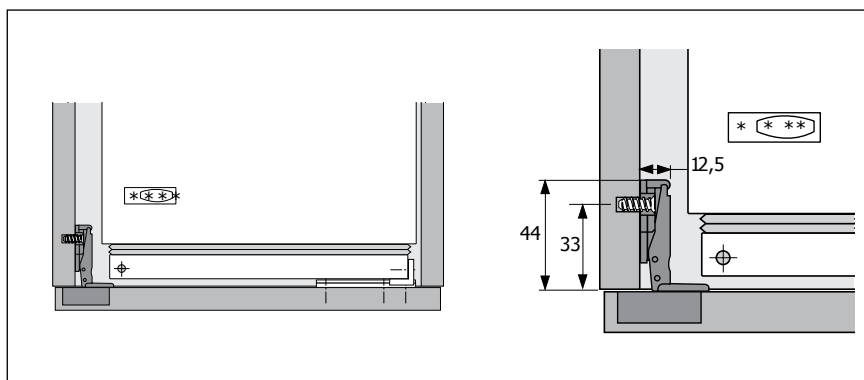
DRILLING HOLE DISTANCES



NOTE



MOUNTING EXAMPLE



NOTE

A door-on-door slider fitting can be used for connecting the furniture door to the refrigerator door.

FULL OVERLAY	0mm
Pack Qty: 50	
Description	Item No.
No Screw	278184

Mounting plate with plastic distance plate = 3mm distance		Mounting plate without plastic distance plate = 0mm distance	
Dimension C mm	Overlay mm	Dimension C mm	Overlay mm
3.0	13.0	3.0	16.0
3.5	13.5	3.5	16.5
4.0	14.0	4.0	17.0
4.5	14.5	4.5	17.5
5.0	15.0	5.0	18.0