



160° Folding Door Hinge TECHNICAL SPECIFICATION

NEY Ltd (Head Office)

Stonebridge Trading Estate
Sibree Road
Coventry
CV3 4FD

t 024 7630 8100
f 024 7630 8101
e sales@ney.co.uk

NEY Ireland

Unit 22 Blaris Ind Estate
Altona Road
Lisburn
BT27 5QB

t 028 92 673 000
f 028 92 672 999
e ireland@ney.co.uk

NEY Scotland

Block 2 Units 1-2-3
Bandeath Ind Est
Throsk, Stirling
FK7 7

t 01786 814 814
f 01786 814 812
e scotland@ney.co.uk

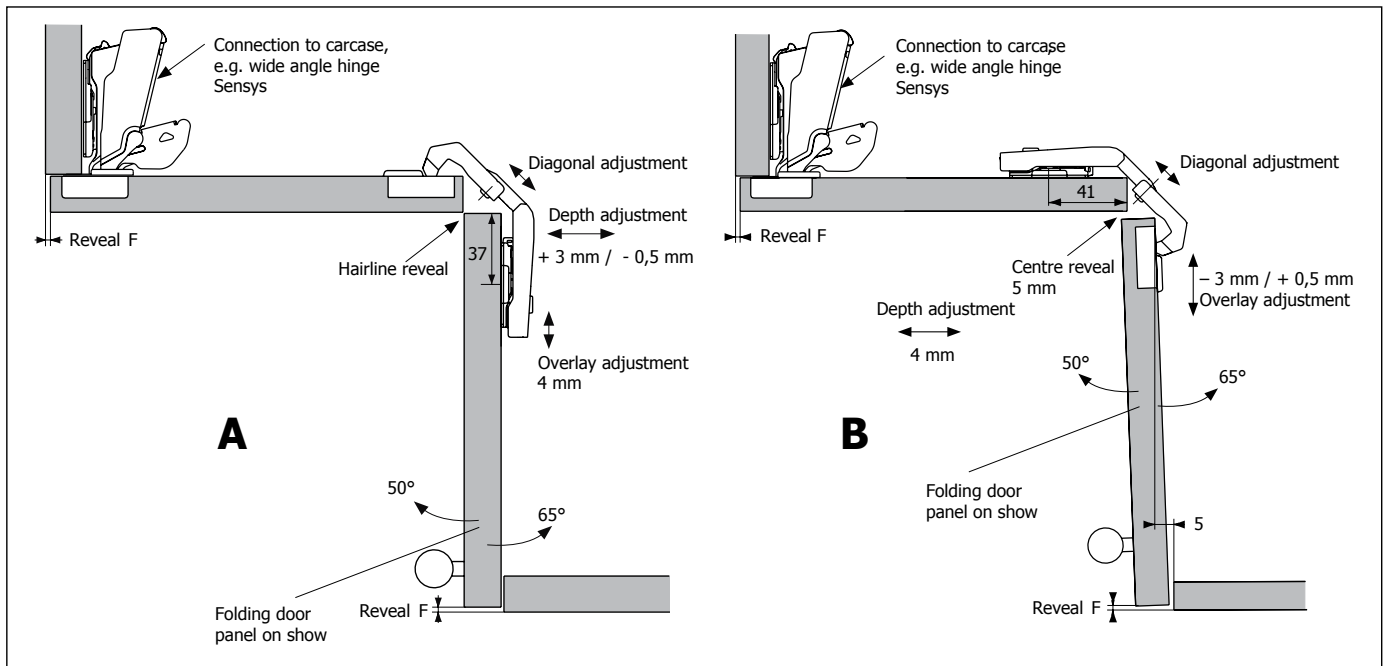


160° FOLDING DOOR HINGE

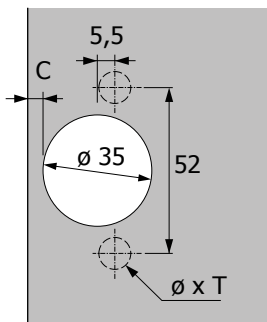
- Concealed hinge with clip on installation
- Quality classification under EN 15570, Level 2
- Cup diameter 35mm, Cup depth 12.8mm
- Diagonal adjustment + 9.5mm / - 9.5mm
- Integrated overlay adjustment, see diagram
- For integrated height adjustment, see diagram
- Height adjustment at mounting plate
- Hinge arm material: zinc die-cast nickel plated
- Hinge cup material: steel, nickel plated



ASSEMBLY



DRILLING PATTERN



FULL OVERLAY	0mm
Pack Qty: 50	
Description	Item No.
No Screw	277993