

COMPONENTS CATALOGUE



ISSUE 2

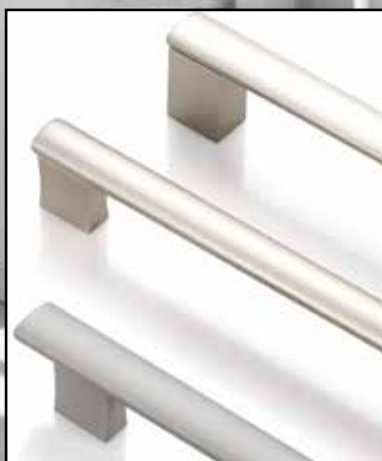


Table of contents

Drawer Systems

Elite - Hettich ArciTech 4
 Elite - Hettich ArciTech with decorative front and side panel 12
 Elite - Hettich InnoTech Atira 16
 Elite - Hettich MultiTech 24
 Eco - Ku Box 28
 Eco - Star Box 32
 Eco - Metal sided drawer box 42
 Elite - Hettich Quadro runners 44
 Drawer slide systems 50

Kitchen Storage

Elite - Wireworks 56
 Eco - Wireworks 68
 EcoPlus - Wireworks 80
 EcoPlus - Drawer inserts 84
 Eco - Drawer inserts 88
 Tambour doors 89

Hinges and Lift Systems

Elite - Hettich Sensys 92
 Elite - Hettich Sensys obsidian black 104
 Elite - Hettich plates and accessories 110
 Elite - Push open options 112
 Eco - Hinges and accessories 114
 Additional hinges 120
 Lifts and stays 124

Handles

Handle colour / finish key 130
 Deluxe handles 131
 Elite - Glamour crystal range 134
 Contemporary furniture handles 136
 Contemporary furniture knobs 144
 Contemporary cup pulls 149
 Traditional furniture handles 150
 Traditional furniture knobs 152
 Traditional cup pulls 155
 Eco - Handles 156
 Eco - Knobs 159
 Eco - Handle profiles 161
 Eco - Edge handle profiles 162
 Elite - Handle-less door profiles 164
 Eco - Handle-less door profiles 166

Lighting Electrical Audio

LED lighting profiles 171
 LED lighting strips and accessories 183
 LED triangular lighting kit 187
 LED lighting hanging rail 188
 Electrical fittings 191
 Audio systems 192

Fittings

Reisser screws and accessories 198
 Eco - Screws 203
 KD fittings 204
 Ovvo connectors 208
 Connecting fittings 210
 Cabinet hangers 210
 Shelf supports 212
 Garment hanging rail and supports 214
 Catches and dampers 216
 Legs and feet 217
 Self adhesive caps 220

Door Systems

Natural wood sliding door systems 232
 Sliding and folding door systems 236
 Decofix aluminium framed doors 270

Bedroom Storage

Elite - Wireworks (bespoke) 274
 ElitePlus - Wireworks (standard) 284
 Eco - Wireworks (bespoke) 288
 EcoPlus - Wireworks (standard) 298
 AMS modular storage system 304

Index 306



DRAWER SYSTEMS

TABLE OF CONTENTS

Contents:

Elite - Hettich ArciTech	4
Elite - Hettich ArciTech with decorative front and side panel	12
Elite - Hettich InnoTech Atira	16
Elite - Hettich MultiTech	24
Eco - Ku Box	28
Eco - Star Box	32
Eco - Metal sided drawer box	42
Elite - Hettich Quadro runners	44
Drawer slide systems	50

Variety, flexibility, cost efficiency.

*This product is also available with optional decorative front and side panels.
Please see page 12 for more information.*



ArciTech Drawer Systems

Handleless furniture design fascinates with its purist appeal. That trend often presents challenges for furniture makers, both in production and with regard to user friendliness.

In terms of self-opening distance in drawers, electromechanical systems have so far produced the most conclusive results. There was a broad scale wish for a non-electrified solution providing comparable functionality. Hettich has now designed a revolutionary innovation: Push to open Silent. Works on an all-mechanical basis so it doesn't need a power supply, and provides the convenience of an electromechanical system. This function has already won several awards.

Invisible, straightforward and safe.

The Push to open Silent system is positioned underneath the drawer where it is hidden from view. Adding the system later on is very easy and involves no modifications to existing ArciTech drawer components.



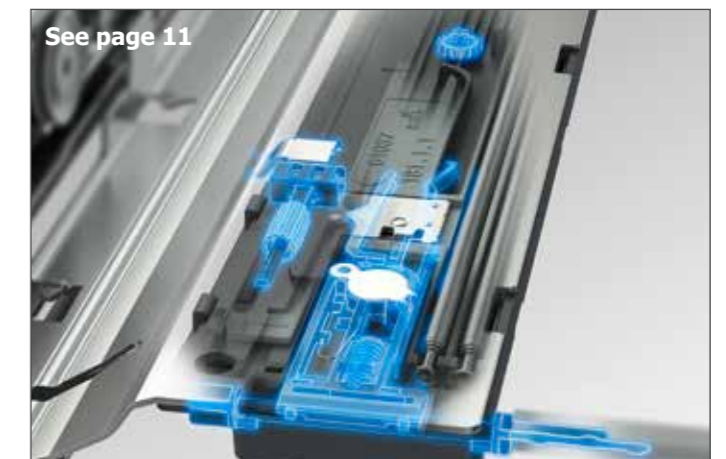
Push To Open Cartridge



Opens without handles, closes with Silent System

With Push to open Silent, drawers are incredibly easy to open without handles, gently and quietly closing again from just a slight turn of the wrist. Drawers can still be pulled open and guided closed. Instead of springing back, Push to open Silent stores energy and assists the closing cycle as the drawer slowly glides in. With optional synchronisation, the system can be activated from the edges of large drawer fronts, even with narrow front panel reveals. With optional 10kg runners, light drawers can be closed just as easily as heavy weight drawers up to 80kg.

- Opening system combined with Silent System
- Minimal 2.5mm front panel reveal
- Drawer energy storage system assists slow closing cycle
- Drawer can still be guided closed / pulled open
- Reliable activation from optional synchronisation
- Clips into place without the need for tools
- For all nominal drawer lengths and carcass widths of 275mm and over
- Units: 10kg, 20kg, 40kg, 80kg



Standard Drawer / Internal Drawer - Height 94mm



40kg

Basic set comprises of:

- 1 Drawer side profiles left and right
- 2 Drawer front connector for side profile, 2 each
- 3 Cover caps, 2 each
- 4 Actro drawer runner, left and right
- 5 Front stabiliser
- 7 Rear connectors for wooden panel

Not supplied:

- A Front panel
- B Base panel
- C Back panel

Additional parts required:

Rear Panel:

- 6 Steel rear panel

Additional parts required:

Front Panel Option 1:

- 8 Front panel for standard internal drawer sizes

Front Panel Option 2:

- 9 Front panel connectors
- 10 Aluminium front panel

Front Panel Option 3:

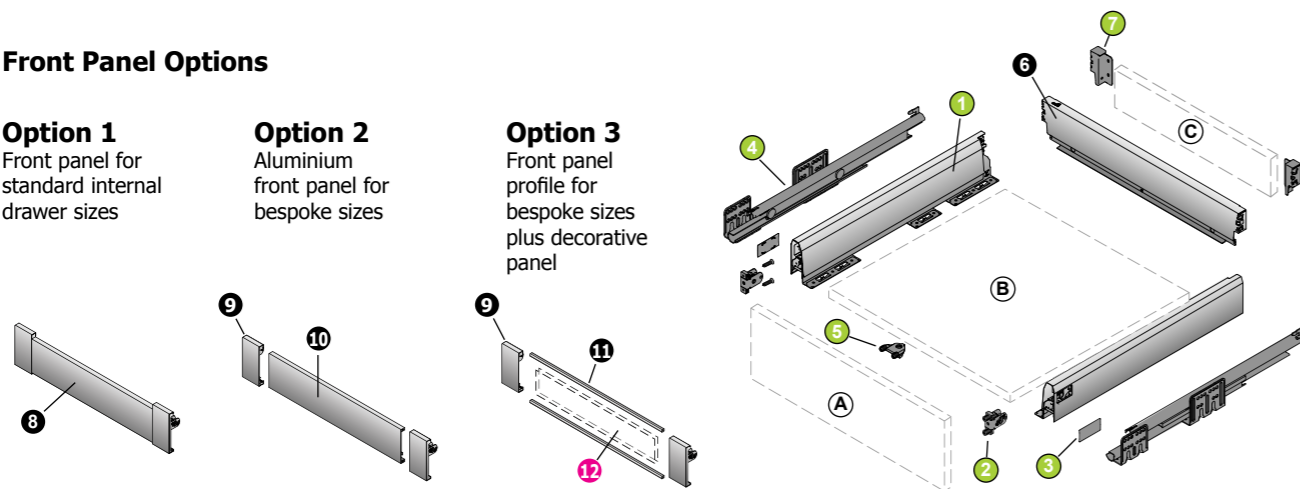
- 9 Front panel connectors
- 11 Front panel profile
- 12 Decorative front panel - please refer to Panel Options table on page 12

Front Panel Options

Option 1
Front panel for standard internal drawer sizes

Option 2
Aluminium front panel for bespoke sizes

Option 3
Front panel profile for bespoke sizes plus decorative panel



Drawer Set - 94mm

Depth	White Set	Silver Set	Anthracite Set	Champagne Set	UOM
	Item No.	Item No.	Item No.	Item No.	
270mm	282163	282173	282174	282175	1 Set
300mm	282176	282177	282178	282179	1 Set
350mm	282180	282181	282182	282183	1 Set
400mm	282184	282185	282186	282187	1 Set
450mm	280536	280535	280537	282161	1 Set
500mm	282188	282190	282191	282192	1 Set
550mm	282196	282197	282198	282199	1 Set
650mm	282200	282201	282202	282203	1 Set



Information

Additional parts required:

Rear panel options

6 Steel rear panel - for standard carcases

Width	White	Silver	Anthracite	Champagne	UOM
275mm	282707	282845	282989	283375	1
300mm	282708	283761	282990	283376	1
350mm	282709	282847	282991	283377	1
400mm	282710	283760	282992	283378	1
450mm	282711	282849	281145	283379	1
500mm	282712	282850	282994	283380	1
550mm	282713	282851	282995	283381	1
600mm	282714	282852	282996	283382	1
700mm	282715	282853	282997	283383	1
800mm	282716	282854	282998	283384	1
900mm	282717	282855	282999	283385	1
1000mm	282718	282856	283000	283386	1
1200mm	282719	282857	283001	283387	1

7 Rear panel connectors - required for wooden panel

Colour	Left	Right	UOM
White	282720	282721	1
Silver	280467	280468	1
Anthracite	279579	279580	1
Champagne	283389	283390	1

Optional parts:

Push to open cartridge - See page 11

Front panel options

Option 1 - Aluminium front panel for standard sizes

8 Front panel for internal drawers - supplied with pre-mounted connectors

Width	White	Silver	Anthracite	Champagne	UOM
300mm	282698	282858	281140	283391	1
400mm	282699	282859	281141	283392	1
450mm	282700	282860	281142	283393	1
500mm	282701	282861	281143	283394	1
600mm	282702	282481	281144	283395	1
800mm	282703	282863	281701	283396	1
900mm	282704	282864	283047	283397	1
1000mm	282705	282865	280140	283398	1
1200mm	282706	282866	283049	283399	1

Option 2 - Aluminium front panel for bespoke sizes

9 Front panel connectors

Colour	Item No.	UOM
White	282723	1 Set
Silver	281629	1 Set
Anthracite	283050	1 Set
Champagne	284362	1 Set

10 Aluminium front panel

Length	Colour	Item No.	UOM
2000mm	White	282785	1 Set
2000mm	Silver	282907	1 Set
2000mm	Anthracite	284351	1 Set
2000mm	Champagne	284367	1 Set

Option 3 - Design style front panel for bespoke sizes

9 Front panel connectors

Colour	Item No.	UOM
White	282723	1 Set
Silver	281629	1 Set
Anthracite	283050	1 Set
Champagne	284362	1 Set

11 Front panel profile - also need front panel connectors (9)

Length	Colour	Item No.	UOM
2000mm	Silver	284366	1

NB: 2 x profiles are required per front

12 Decorative front panel
Various pre-cut colour and finish options available. See Panel Options table on page 12

Standard Drawer / Internal Drawer - Height 186mm with 94mm side profile height



Basic set comprises of:

- 1 Drawer side profiles left and right
- 2 Drawer front connector for side profile, 2 each
- 3 Cover caps, 2 each
- 4 Actro drawer runner, left and right
- 5 Front stabiliser
- 6 Side railings, 2 each
- 7 Front connectors for side railings
- 8 Rear connectors for wooden panel

Not supplied:

- A Front panel
- B Base panel
- C Back panel

Additional parts required:

Rear Panel:

- 9 Steel rear panel

Front Panel Option 1:

- 10 Steel front panel - includes connectors and front railing

Front Panel Option 2:

- 11 Aluminium front panel
- 12 Front panel connectors
- 13 Front panel railing

Front Panel Option 3:

- 12 Front panel connectors
- 14 Front panel profile
- 19 Decorative front panel

Additional parts required:

Side Panel Option 1:

- 15 Top side - includes knock-in and screw-on front connectors

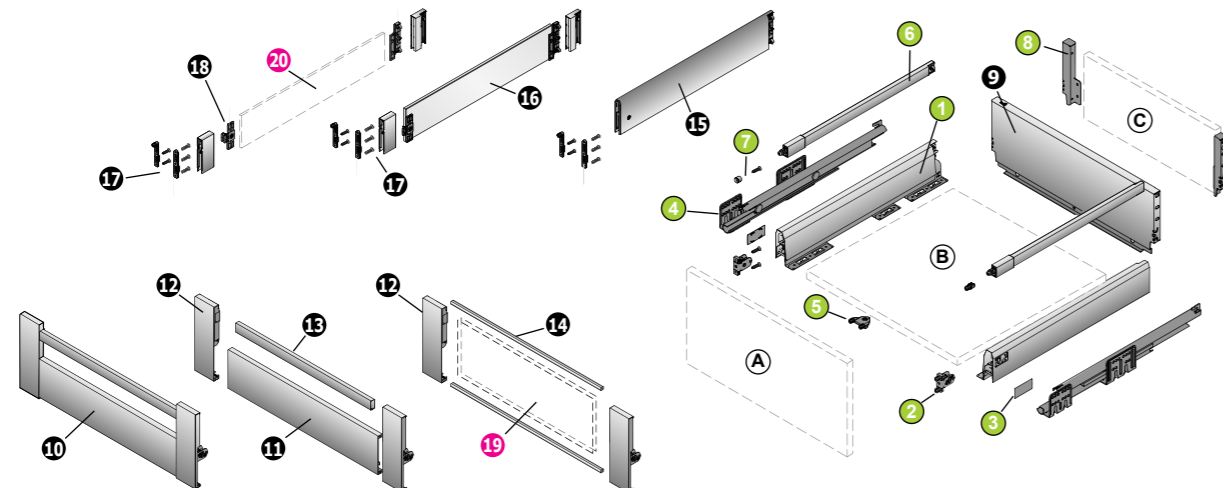
Side Panel Option 2:

- 16 Glass side
- 17 Design side adapter set

Side Panel Option 3:

- 17 Design side adapter set
- 18 Design side connector
- 20 Decorative side panel

See page 12 for details of side panel options



Drawer Set - 186mm

Depth	White Set	Silver Set	Anthracite Set	Champagne Set	UOM
	Item No.	Item No.	Item No.	Item No.	
270mm	282226	282227	282228	282229	1 Set
300mm	282230	282231	282232	282233	1 Set
350mm	282234	282235	282236	282237	1 Set
400mm	282239	282240	282241	282242	1 Set
450mm	282223	280539	280538	282225	1 Set
500mm	282243	282244	282245	282246	1 Set
550mm	282247	282248	282249	282250	1 Set
650mm	282251	282252	282253	282254	1 Set



Information

Additional parts required:

Rear panel options

9 Steel rear panel - for standard carcasses

Width	White	Silver	Anthracite	Champagne	UOM
275mm	282761	282885	283069	283420	1
300mm	282762	282886	283070	283421	1
350mm	282763	282887	283071	283422	1
400mm	282764	282888	283072	283423	1
450mm	282765	282889	281146	283424	1
500mm	282766	282890	283074	283425	1
550mm	282767	282891	283075	283426	1
600mm	282768	282892	283076	283427	1
700mm	282769	282893	283077	283428	1
800mm	282770	282894	283078	283429	1
900mm	282771	282895	283079	283430	1
1000mm	282772	282896	283080	283431	1
1200mm	282773	282897	283081	283432	1

8 Rear panel connectors - required for wooden panel

Colour	Left	Right	UOM
White	282783	282784	1
Silver	280469	280470	1
Anthracite	279581	279582	1
Champagne	283443	283444	1

Optional parts:

Push to open cartridge - See page 11

Front panel options

Option 1 - Aluminium front panel for standard sizes

10 Front panel supplied with pre-mounted connectors

Width	White	Silver	Anthracite	Champagne	UOM
300mm	282774	282898	281136	283434	1
400mm	282775	282899	281137	283435	1
450mm	282776	282900	281138	283436	1
500mm	282777	282901	281139	283437	1
600mm	282778	282902	280532	283438	1
800mm	282779	282903	283087	283439	1
900mm	282780	282904	283088	283440	1
1000mm	282781	282905	283089	283441	1
1200mm	282782	282906	283090	283442	1

Option 2 - Aluminium front panel for bespoke sizes

11 Aluminium front panel

Length	Colour	Item No.	UOM
2000mm	White	282785	1
2000mm	Silver	282907	1
2000mm	Anthracite	284351	1
2000mm	Champagne	284367	1

12 Front panel connectors

Colour	Item No.	UOM
White	282787	1 Set
Silver	284352	1 Set
Anthracite	283093	1 Set
Champagne	284363	1 Set

Option 3 - Decorative front panel

12 Front panel connectors

Colour	Item No.	UOM
White	282787	1 Set
Silver	284352	1 Set
Anthracite	283093	1 Set
Champagne	284363	1 Set

19 Decorative front panel Various pre-cut colour and finish options available. See Panel Options table on page 12

14 Front panel profile - also need front panel connectors (12)

Length	Colour	Item No.	UOM
2000mm	Silver	284366	1

NB: 2 x profiles are required per front

13 Front panel railing

Length	Colour	Item No.	UOM
2000mm	White	282786	1
2000mm	Silver	284353	1
2000mm	Anthracite	284354	1
2000mm	Champagne	284368	1

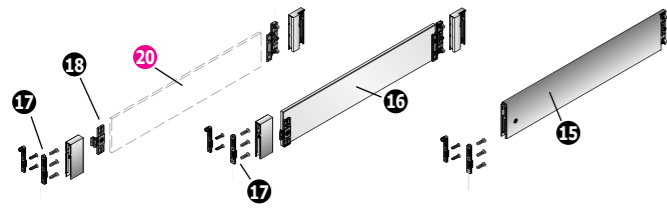


ArciTech Double Walled Drawer Sets



Standard Drawer / Internal Drawer - Height 186mm with 94mm side profile height - continued...

Side panel options:



Additional parts required - Side panel options:

Option 1 - Top side panel

15 Top side panel - includes front connectors

Length	Colour	Item No.	UOM
400mm	White	284379	1 set
	Silver	284378	1 set
	Anthracite	284376	1 set
	Champagne	284419	1 set
450mm	White	284381	1 set
	Silver	284380	1 set
	Anthracite	279571	1 set
	Champagne	284420	1 set
500mm	White	284383	1 set
	Silver	284382	1 set
	Anthracite	284373	1 set
	Champagne	284421	1 set
550mm	White	284385	1 set
	Silver	284384	1 set
	Anthracite	284374	1 set
	Champagne	284422	1 set
650mm	White	284388	1 set
	Silver	284387	1 set
	Anthracite	284375	1 set
	Champagne	284424	1 set

Option 2 - Glass side panel

16 Glass side panel 8mm - includes connectors

Length	Item No.	UOM
270mm	284390	1 set
300mm	284391	1 set
350mm	284392	1 set
400mm	284393	1 set
450mm	281135	1 set
500mm	284394	1 set
550mm	284395	1 set
650mm	284396	1 set

17 Design side adapters

Colour	Item No.	UOM
White	282759	1 Set
Silver	282883	1 Set
Anthracite	281081	1 Set
Champagne	284418	1 Set

Option 3 - Decorative side panel

17 Design side adapters

Colour	Item No.	UOM
White	282759	1 Set
Silver	282883	1 Set
Anthracite	281081	1 Set
Champagne	284418	1 Set

18 Design side connectors

Item No.	UOM
283068	1 Set

20 Decorative side panel
Various pre-cut colour and finish options available. See Panel Options table on page 12

Actro Runners

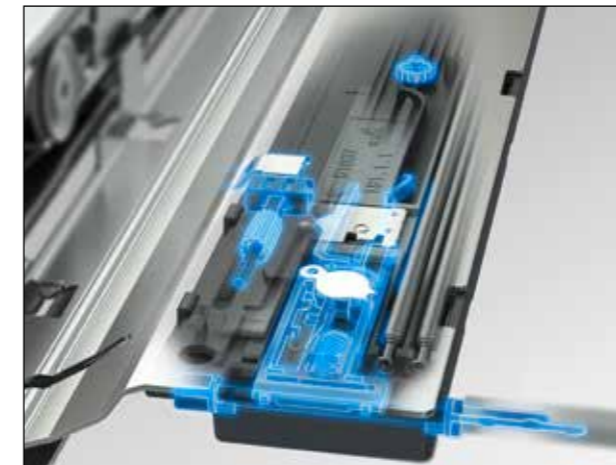


Actro: Fantastic running performance

Performance will be a key factor in future purchasing decisions. This makes the ArciTech drawer system's smooth, quiet running action a particularly valuable mark of quality. Its secret: the outstanding Actro runner.



ArciTech Push To Open Cartridge



Set comprises of:

- 1 push to open silent unit, left and right
- 1 activator, left and right
- 2 adapters for mounting optional synchronisation

Total weight Kg	Actro Kg	Length mm	Item No.	UOM
< 10	10	270 - 350	284371	1 Set
8 - 20	10	270 - 650	283854	1 Set
10 - 40	40	270 - 650	283346	1 Set
20 - 80	60 / 80	400 - 650	283855	1 Set

Description	Item No.	UOM
Syncro bar	283347	1 x 2m
Syncro bar connector	284370	1



Recommendation for drawer (front panel height up to approx. 150mm)

Length mm	Width mm											
	275	300	350	400	500	600	700	800	900	1000	1100	1200
270												
300												
350												
400												
450												
500												
550												
650												

Recommendation for pot-and-pan drawer (front panel height up to approx. 300mm, light to medium duty loading)

Length mm	Width mm											
	275	300	350	400	500	600	700	800	900	1000	1100	1200
270												
300												
350												
400												
450												
500												
550												
650												

Recommendation for pot-and-pan drawer, heavy duty (front panel height up to approx. 300mm, heavy duty loading)

Length mm	Width mm											
	275	300	350	400	500	600	700	800	900	1000	1100	1200
270												
300												
350												
400												
450												
500												
550												
650												

InnoTech Atira

elite

Striking, versatile, flexible

The InnoTech Atira drawer system impresses the moment you set eyes on it.



Sharp contours, a choice of colours and diverse side elements complemented by a wealth of interior organisation solutions produce plenty of creative potential. No other drawer system provides this level of individuality.

InnoTech Platform concept

- Economic mark of distinction

470mm Standard depth drawer system to maximise UK cabinet depths

- Also available in different depths for bedroom and bathroom use

Multi choice of widths available

- Colour co-ordinated steel rear panels in standard widths from 275mm to 1200mm
- Rear panel connector also allows bespoke widths

Multi choice of materials gives extra differentiation to customer

- DesignSide, steel and glass TopSide and railing available

Multi choice of decors to continue design theme within cabinet

- Drawer sides available in Silver as standard, White and Anthracite available on request
- DesignSides available in many finishes as standard and bespoke

Multi choice of soft close runners available

- From partial extension non soft close to full extension soft close the choice of running options is limitless
- 25 kg to 50 kg available from stock
- Stainless Steel ball bearings used for long life
- Runners tested to 80,000 open/close movements
- Mechanical push to open runners also available using the same drilling pattern

Durable, scratch resistant drawer sides

- Powder coating
- Smooth finish
- Easy to clean

Ease of assembly and adjustment

- Rapid assembly to save time
- Thumb-wheel adjustment of front panel height saves time when fitting
- Easy removal and re-connection of drawer fronts

German engineering at it's best

- Offering something that little bit different

InnoTech Atira cuts a sharp profile

- This is where clear cut styling meets tried and proven technology
- Striking design with creative potential.

Hettich

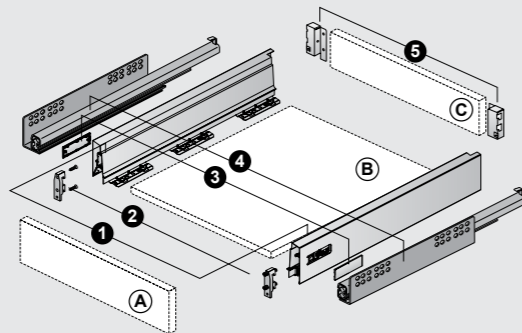
Hettich

Standard Drawer Front - Height 70mm

Information



30kg



Set comprises of:

- 1 Drawer side profiles left and right
- 2 Drawer front connectors
- 3 Cover caps, 2 each
- 4 Quadro drawer runners left and right
- 5 Rear panel connectors left and right

Not supplied:

- A Front panel
- B Base panel
- C Back panel

70mm Set - Silver

Depth	Item No.	UOM
260mm	278386	1 Set
300mm	278387	1 Set
350mm	278388	1 Set
420mm	278389	1 Set
470mm	278390	1 Set
520mm	278391	1 Set

70mm Set - White

Depth	Item No.	UOM
260mm	282255	1 Set
300mm	282257	1 Set
350mm	282259	1 Set
420mm	280487	1 Set
470mm	280559	1 Set
520mm	282263	1 Set

70mm Set - Anthracite

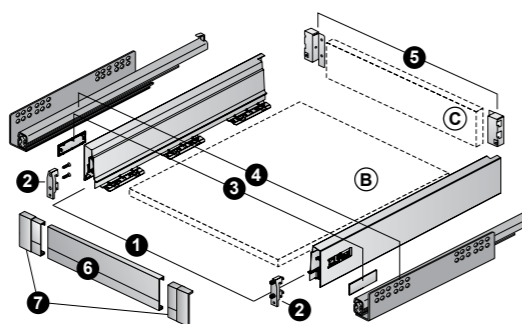
Depth	Item No.	UOM
260mm	282256	1 Set
300mm	282258	1 Set
350mm	282260	1 Set
420mm	282261	1 Set
470mm	282262	1 Set
520mm	282264	1 Set

Internal Drawer - Aluminium Front - Height 70mm

Information



30kg



Set comprises of:

- 1 Drawer side profiles left and right
- 2 Drawer front connectors
- 3 Cover caps, 2 each
- 4 Quadro drawer runners left and right
- 5 Rear panel connectors left and right

Additional parts required:

- 6 Front panel 2000mm
- 7 Front connectors

Not supplied:

- B Base panel
- C Back panel

70mm Set - Silver

Depth	Item No.	UOM
260mm	278386	1 Set
300mm	278387	1 Set
350mm	278388	1 Set
420mm	278389	1 Set
470mm	278390	1 Set
520mm	278391	1 Set

70mm Set - White

Depth	Item No.	UOM
260mm	282255	1 Set
300mm	282257	1 Set
350mm	282259	1 Set
420mm	280487	1 Set
470mm	280559	1 Set
520mm	282263	1 Set

70mm Set - Anthracite

Depth	Item No.	UOM
260mm	282256	1 Set
300mm	282258	1 Set
350mm	282260	1 Set
420mm	282261	1 Set
470mm	282262	1 Set
520mm	282264	1 Set

Additional parts required:

- 2 Front panel: 2000mm

Colour	Item No.	UOM
Silver	278392	1
White	280562	1
Anthracite	282267	1

- 3 Front connectors

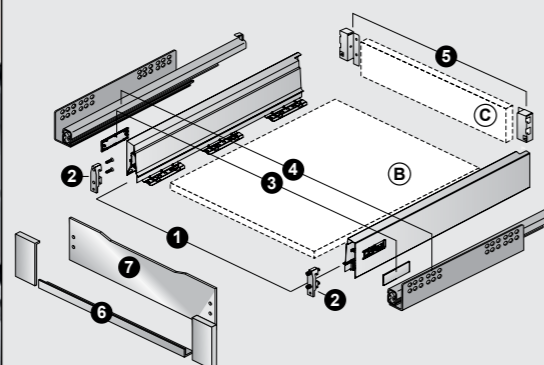
Colour	Item No.	UOM
Silver	278394	1 Set
White	282266	1 Set
Anthracite	282268	1 Set

Internal Drawer - Glass Front - Height 70mm

Information



30kg



Set comprises of:

- 1 Drawer side profiles left and right
- 2 Drawer front connectors
- 3 Cover caps, 2 each
- 4 Quadro drawer runners left and right
- 5 Rear panel connectors left and right

Additional parts required:

- 6 Front panel connector
- 7 Front glass panel

Not supplied:

- B Base panel
- C Back panel

70mm Set - Silver

Depth	Item No.	UOM
260mm	278386	1 Set
300mm	278387	1 Set
350mm	278388	1 Set
420mm	278389	1 Set
470mm	278390	1 Set
520mm	278391	1 Set

70mm Set - White

Depth	Item No.	UOM
260mm	282255	1 Set
300mm	282257	1 Set
350mm	282259	1 Set
420mm	280487	1 Set
470mm	280559	1 Set
520mm	282263	1 Set

70mm Set - Anthracite

Depth	Item No.	UOM
260mm	282256	1 Set
300mm	282258	1 Set
350mm	282260	1 Set
420mm	282261	1 Set
470mm	282262	1 Set
520mm	282264	1 Set

Additional parts required:

- 3 Front glass panel

Depth	Item No.	UOM
300mm	278398	1
400mm	278399	1
450mm	278400	1
500mm	278401	1
550mm	278402	1
600mm	278403	1
800mm	278404	1
900mm	278405	1
1000mm	278406	1
1200mm	278407	1

Additional parts required: 2 Front panel connectors

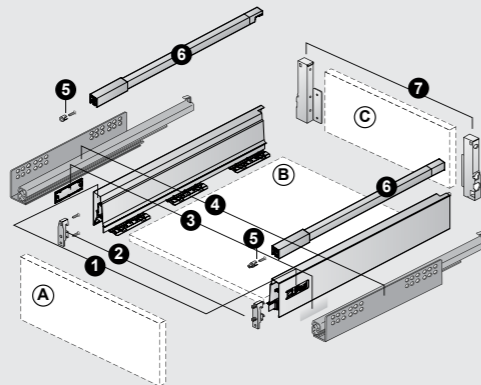
Colour	Item No.	UOM	Colour	Item No.	UOM	Colour	Item No.	UOM
Silver	278396	1 Set	White	282270	1 Set	Anthracite	282271	1 Set

Drawer - Standard Drawer Front - Height 144mm

Information



30kg



Set comprises of:

- 1 Drawer side profiles left and right
- 2 Drawer front connector for side profile x2
- 3 Cover caps, 2 each
- 4 Quadro drawer runners left and right
- 5 Drawer front connectors for railing x2
- 6 Railing, left and right
- 7 Rear panel connector

Not supplied:

- A Front panel
- B Base panel
- C Back panel

144mm Set - Silver

Depth	Item No.	UOM
260mm	278408	1 Set
300mm	278409	1 Set
350mm	278410	1 Set
420mm	278411	1 Set
470mm	278412	1 Set
520mm	278413	1 Set

144mm Set - White

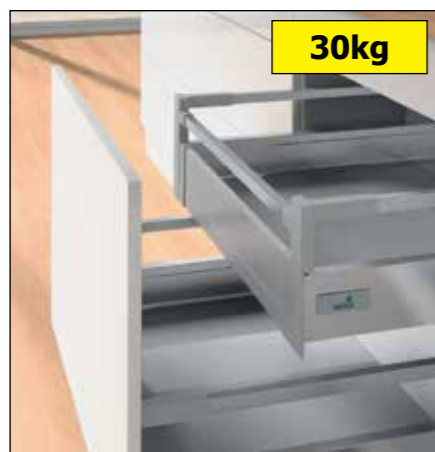
Depth	Item No.	UOM
260mm	282272	1 Set
300mm	282273	1 Set
350mm	282278	1 Set
420mm	280560	1 Set
470mm	282274	1 Set
520mm	282275	1 Set

144mm Set - Anthracite

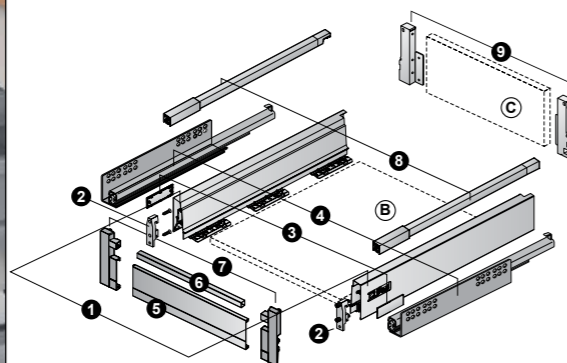
Depth	Item No.	UOM
260mm	282276	1 Set
300mm	282277	1 Set
350mm	282279	1 Set
420mm	282280	1 Set
470mm	282281	1 Set
520mm	284500	1 Set

Internal Drawer - Aluminium Front - Height 144mm

Information



30kg



Set comprises of:

- 1 Drawer side profiles left and right
- 2 Drawer front connectors
- 3 Cover caps, 2 each
- 4 Quadro drawer runners left and right

Additional parts required:

- 5 Front panel 2000mm
- 6 Front railing 2000mm
- 7 Front connectors
- 8 Railing, left and right
- 9 Rear panel connectors left and right

Not supplied:

- B Base panel
- C Back panel

70mm Set - Silver

Depth	Item No.	UOM
350mm	278388	1 Set
420mm	278389	1 Set
470mm	278390	1 Set
520mm	278391	1 Set

70mm Set - White

Depth	Item No.	UOM
350mm	282259	1 Set
420mm	280487	1 Set
470mm	280559	1 Set
520mm	282263	1 Set

70mm Set - Anthracite

Depth	Item No.	UOM
350mm	282260	1 Set
420mm	282261	1 Set
470mm	282262	1 Set
520mm	282264	1 Set

Additional parts required:

- 5 Front panel: 2000mm

Colour	Item No.	UOM
Silver	278392	1
White	280562	1
Anthracite	282267	1
- 6 Front railing

Colour	Item No.	UOM
Silver	278393	1 Set
White	280563	1 Set
Anthracite	282283	1 Set
- 7 Front connectors

Colour	Item No.	UOM
Silver	278395	1 Set
White	280564	1 Set
Anthracite	282285	1 Set

Additional parts required:

- 8 Railings, left and right

- 9 Rear panel connectors left and right

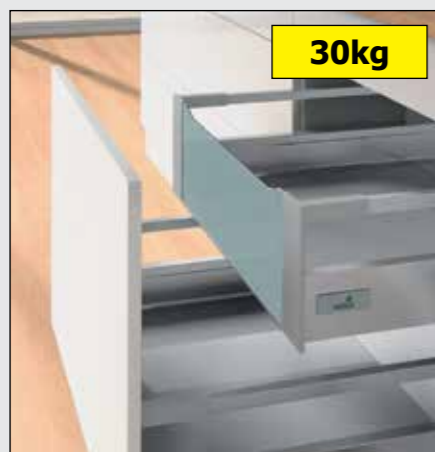
Colour	Item No.	UOM
Silver	284531	1 Set
420mm	284532	1 Set
470mm	284533	1 Set
520mm	284534	1 Set

White	Item No.	UOM
350mm	284539	1 Set
420mm	284541	1 Set
470mm	284542	1 Set
520mm	284543	1 Set

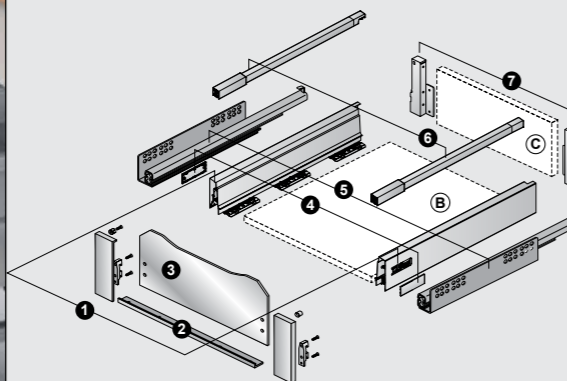
Anthracite	Item No.	UOM
350mm	284544	1 Set
420mm	284545	1 Set
470mm	284546	1 Set
520mm	284547	1 Set

Internal Drawer - Glass Front - Height 144mm

Information



30kg



Set comprises of:

- 1 Drawer side profiles left and right
- 4 Cover caps, 2 each
- 5 Quadro drawer runners left and right
- 6 Railing, left and right
- 7 Rear panel connectors left and right

Additional parts required:

- 2 Front panel connector
- 3 Front glass panel

Not supplied:

- B Base panel
- C Back panel

144mm Set - Silver

Depth	Item No.	UOM
260mm	278408	1 Set
300mm	278409	1 Set
350mm	278410	1 Set
420mm	278411	1 Set
470mm	278412	1 Set
520mm	278413	1 Set

144mm Set - White

Depth	Item No.	UOM
260mm	282272	1 Set
300mm	282273	1 Set
350mm	282278	1 Set
420mm	280560	1 Set
470mm	282274	1 Set
520mm	282275	1 Set

144mm Set - Anthracite

Depth	Item No.	UOM
260mm	282276	1 Set
300mm	282277	1 Set
350mm	282279	1 Set
420mm	282280	1 Set
470mm	282281	1 Set
520mm	284500	1 Set

Additional parts required:

- 3 Front glass panel

Depth	Item No.	UOM
300mm	278414	1
400mm	278415	1
450mm	278416	1
500mm	278417	1
550mm	278418	1
600mm	278419	1
800mm	278420	1
900mm	278421	1
1000mm	278422	1
1200mm	278423	1

Additional parts required: 2 Front panel connectors

Colour	Item No.	UOM
Silver	278397	1 Set

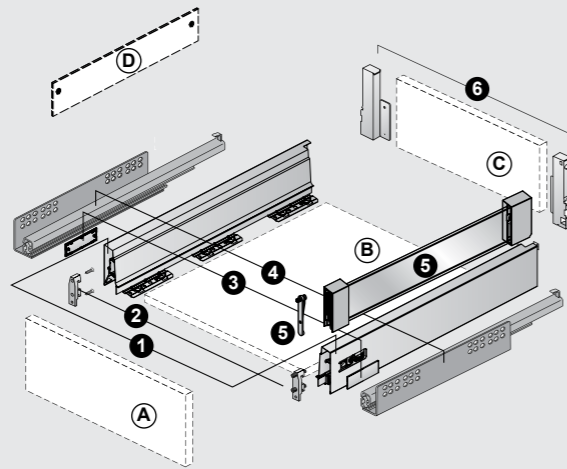
White	Item No.	UOM
282286	1 Set	

Anthracite	Item No.	UOM
282287	1 Set	

Glass Side Panel For 144mm



30kg



Set comprises of:

- 1 Drawer side profiles left and right
- 2 Drawer front connectors for side profiles x2
- 3 Cover caps x2
- 4 Quadro drawer runners left and right

Additional parts required:

- 5 Glass side panel
- 6 Rear panel connectors

Not supplied:

- A Front panel
- B Base panel
- C Back panel

Information

70mm Set - Silver		
Depth	Item No.	UOM
260mm	278386	1 Set
300mm	278387	1 Set
350mm	278388	1 Set
420mm	278389	1 Set
470mm	278390	1 Set
520mm	278391	1 Set

70mm Set - White		
Depth	Item No.	UOM
260mm	282255	1 Set
300mm	282257	1 Set
350mm	282259	1 Set
420mm	280487	1 Set
470mm	280559	1 Set
520mm	282263	1 Set

70mm Set - Anthracite		
Depth	Item No.	UOM
260mm	282256	1 Set
300mm	282258	1 Set
350mm	282260	1 Set
420mm	282261	1 Set
470mm	282262	1 Set
520mm	282264	1 Set

Additional parts required:

- 5 Glass side panel



Depth	Item No.	UOM
260mm	278434	1
300mm	278435	1
350mm	278436	1
420mm	278437	1
470mm	278438	1
520mm	278439	1

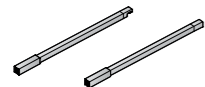
Additional parts required: 6 144mm Rear panel connectors

Colour	Item No.	UOM
Silver	278431	1 Set

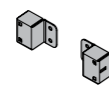
Colour	Item No.	UOM
White	285353	1 Set

Colour	Item No.	UOM
Anthracite	285354	1 Set

Miscellaneous



Gallery Rails			
Length	Colour	Item No.	UOM
260mm	Silver	278424	1 set
	White	282289	1 set
	Anthracite	282292	1 set
300mm	Silver	278425	1 set
	White	285364	1 set
	Anthracite	285365	1 set
350mm	Silver	278426	1 set
	White	285376	1 set
	Anthracite	285377	1 set
420mm	Silver	278427	1 set
	White	285394	1 set
	Anthracite	285395	1 set
470mm	Silver	278428	1 set
	White	285461	1 set
	Anthracite	285462	1 set
520mm	Silver	278429	1 set
	White	285477	1 set
	Anthracite	285478	1 set



Customised Drawer Height		
Colour	Item No.	UOM
Silver	278433	1 Set
White	285355	1 Set
Anthracite	285356	1 Set



Gallery Rail Connectors		
Description	Item No.	UOM
Screw On	278430	1 Set



Rear Panel Connectors			
Depth	Colour	Item No.	UOM
144mm	Silver	278431	1 set
	White	285353	1 set
	Anthracite	285354	1 set
176mm	Silver	278432	1 set
	White	285488	1 set
	Anthracite	285489	1 set



MultiTech

elite

Versatile steel drawer system

For all applications



The single walled drawer system MultiTech is the ideal entry into the world of metal drawers; simple, easy to assemble and solid.

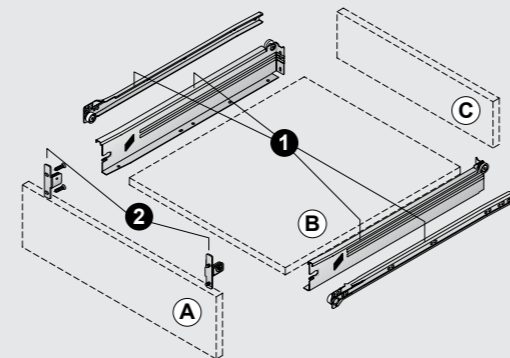
- Highly efficient, quick and secure assembly; for an excellent price performance ratio for the complete furniture
- Wide product programme for optimum use of storage space and differentiation
- Reliability, certified according to German quality norms



MultiTech
The ideal entry into the world of metal drawers.

MultiTech - Height 54mm

Information



Set comprises of:

- 1 Drawer set
- 2 Front connectors

Not supplied:

- A Front panel
- B Base panel
- C Back panel

Optional parts:

Soft close mechanism

54mm Set - White

Depth	Item No.	UOM
275mm	278056	1 Set
350mm	278057	1 Set
400mm	278059	1 Set
450mm	278058	1 Set

Additional parts required:

- 2 Drawer front brackets left and right

Colour	Item No.	UOM
White	278082	1 Set

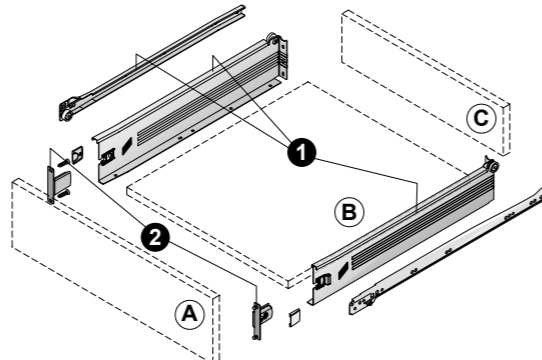
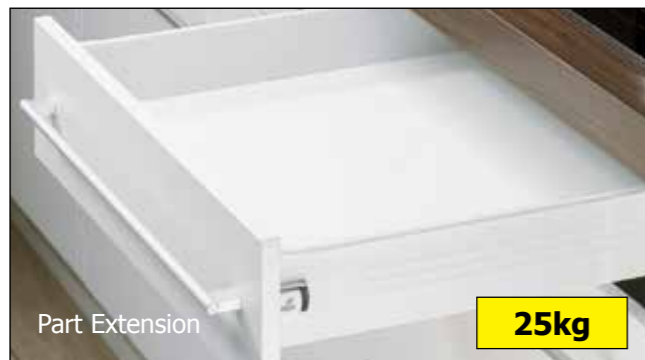
Optional parts:

Soft close mechanism

Colour	Item No.	UOM
White	250076	1 Set

MultiTech - Height 86mm

Information



Set comprises of:

- 1 Drawer set
- 2 Front connectors

Not supplied:

- A Front panel
- B Base panel
- C Back panel

Optional parts:

Soft close mechanism

86mm Set - White

Depth	Item No.	UOM
275mm	278061	1 Set
350mm	278062	1 Set
400mm	278063	1 Set
450mm	278064	1 Set
500mm	278065	1 Set
550mm	278066	1 Set

Additional parts required:

- 2 Drawer front brackets left and right

Colour	Item No.	UOM
White	278081	1 Set

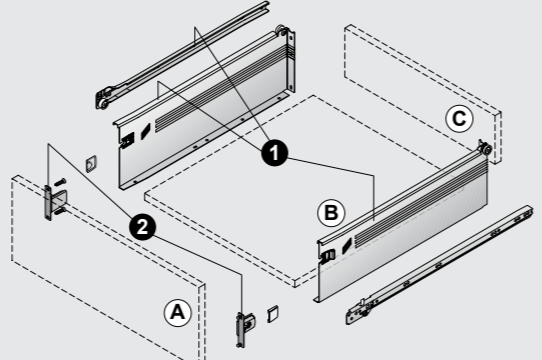
Optional parts:

Soft close mechanism

Colour	Item No.	UOM
White	250076	1 Set

MultiTech - Height 118mm

Information



Set comprises of:

- 1 Drawer set
- 2 Front connectors

Not supplied:

- A Front panel
- B Base panel
- C Back panel

Optional parts:

Soft close mechanism

118mm Set - White

Depth	Item No.	UOM
275mm	278068	1 Set
350mm	278069	1 Set
400mm	278070	1 Set
450mm	278071	1 Set
500mm	278072	1 Set
550mm	278073	1 Set

Additional parts required:

- 2 Drawer front brackets left and right

Colour	Item No.	UOM
White	278081	1 Set

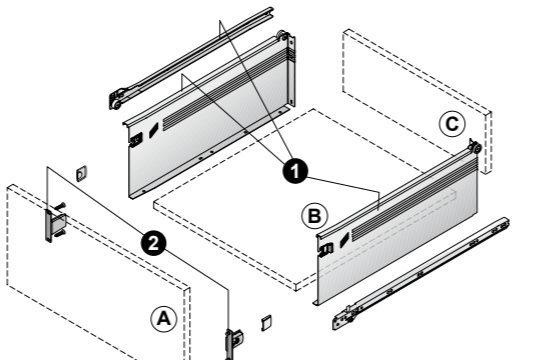
Optional parts:

Soft close mechanism

Colour	Item No.	UOM
White	250076	1 Set

MultiTech - Height 150mm

Information



Set comprises of:

- 1 Drawer set
- 2 Front connectors

Not supplied:

- A Front panel
- B Base panel
- C Back panel

Optional parts:

Soft close mechanism

150mm Set - White

Depth	Item No.	UOM
275mm	278075	1 Set
350mm	278076	1 Set
400mm	278077	1 Set
450mm	278078	1 Set
500mm	278079	1 Set
550mm	278080	1 Set

Additional parts required:

- 2 Drawer front brackets left and right

Colour	Item No.	UOM
White	278081	1 Set

Optional parts:

Soft close mechanism

Colour	Item No.	UOM
White	250076	1 Set

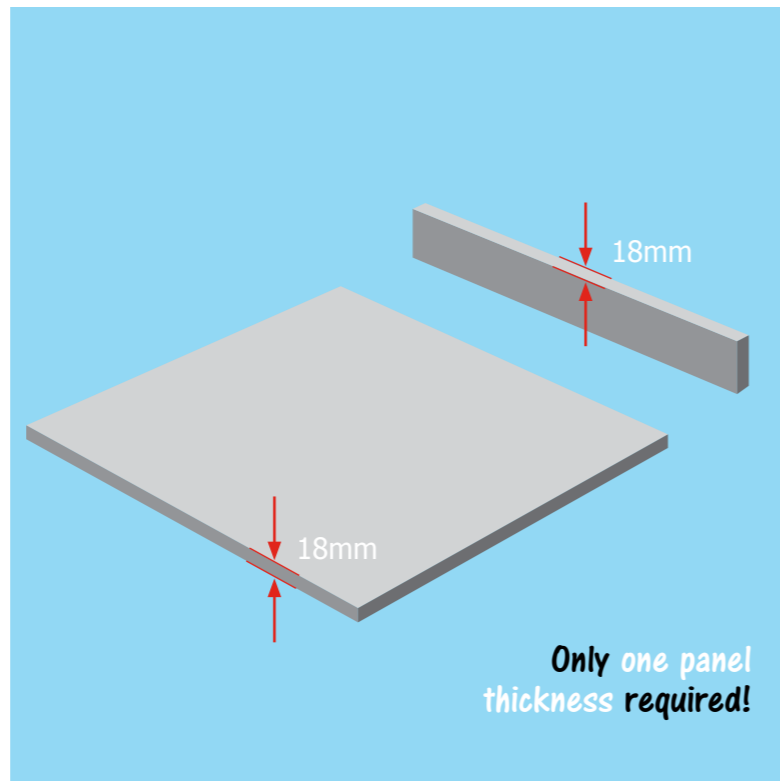


ONLY ONE PANEL THICKNESS REQUIRED! 18mm

The Newest member of the ECO drawer range, the KuBox is our SLIMLINE drawer at an impressively slim 12mm thick drawer side, maximising the full width of the drawer.

A unique selling point is that the drawer is designed to take 18mm board. In many smaller companies this can make production quicker and cheaper because 18mm board doesn't have to be routed down to 16mm to fit into the drawers saving on an extra process. Another benefit is that 16mm board does not need to be purchased specifically for drawers, allowing customers to optimise the board and use previously scrap material for their drawer bases and backs.

- 18mm base and back panel.
- 12mm side thickness.
- 95mm, 128mm and 175mm drawer heights.
- Square gallery rail options
- White and iron grey finish available.
- 35Kg load capacity



SUITABLE FOR 18mm BASE AND BACK BOARD

An impressive design feature of the KuBox is that you do not require a gallery rail to go to a higher drawer; we offer 3 different drawer height options 90mm 128mm and 175mm giving a very modern contemporary finish. However there is a retro fit gallery rail if you need a higher drawer front.

We have seen the trend of the KuBox working particularly well in bedrooms simply because it's a natural upgrade to the single wall metal sided option. Plus the Iron grey finish works very well with woodgrain boards which have been flooding the bedroom market.

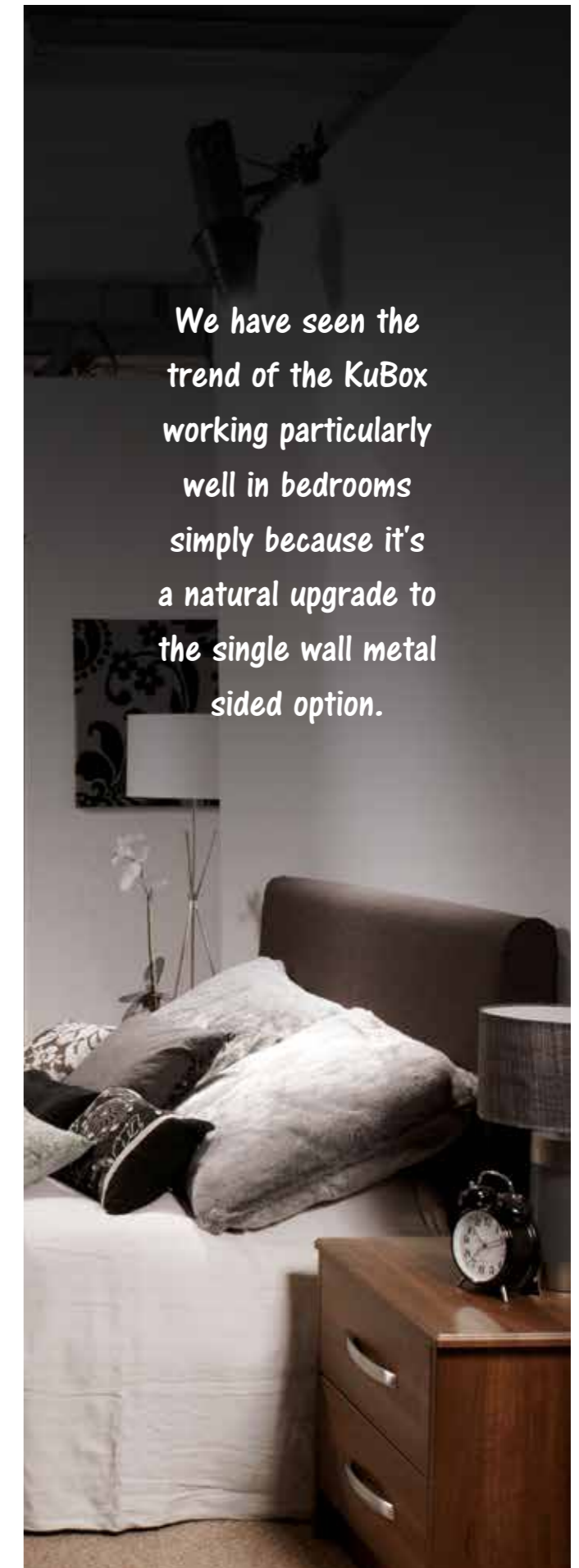
Choosing the KuBox drawer system truly allows you to be versatile with your product offering as you can meet all aspects of price, but even more importantly when you choose KuBox as your Soft Close drawer partner, the confidence in reliability, quality and longevity will quickly be realised.



The Kubox has an upgraded slide with rack and pinion synchronisation that minimises any lateral movement on the drawer to ensure there are no failures to the mechanics of the drawer.



Height options 90mm 128mm and 175mm



We have seen the trend of the KuBox working particularly well in bedrooms simply because it's a natural upgrade to the single wall metal sided option.

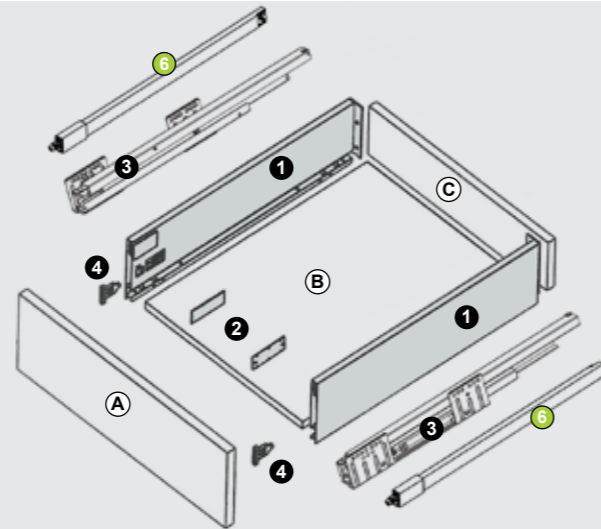
Drawer Height 90mm

Information



35kg

For 18mm base panels



Set comprises of:

- 1 Drawer side profiles left and right
- 2 Cover caps
- 3 Drawer runners left and right
- 4 Drawer front clips

Not supplied:

- A Front panel
- B Base panel
- C Back panel

Optional parts:

- 6 Gallery railing

Drawer Set - 90mm

Depth	Item No.	Colour	UOM
350mm	278158	Iron Grey	1 Set
400mm	278120	Iron Grey	1 Set
450mm	277116	Iron Grey	1 Set
450mm	277119	White	1 Set
500mm	278121	Iron Grey	1 Set

Optional parts:

Additional Gallery Rails - Rails fitted directly onto back board for customised height.



6 Gallery railing

Depth	Item No.	Colour	UOM
450mm	277285	Iron Grey	1 Pair
450mm	277284	White	1 Pair

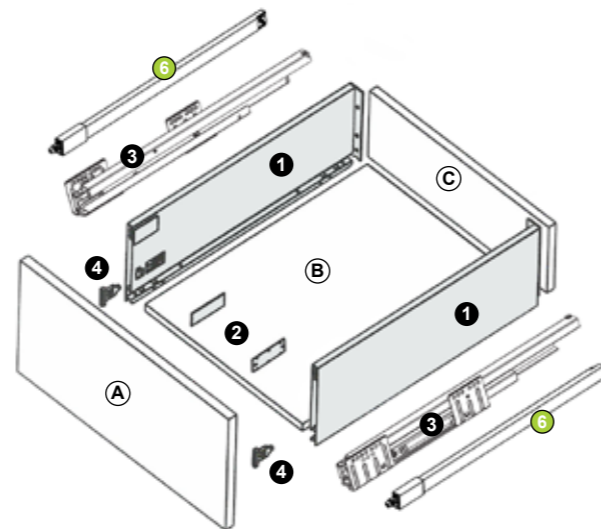
Drawer Height 128mm

Information



35kg

For 18mm base panels



Set comprises of:

- 1 Drawer side profiles left and right
- 2 Cover caps
- 3 Drawer runners left and right
- 4 Drawer front clips

Not supplied:

- A Front panel
- B Base panel
- C Back panel

Optional parts:

- 6 Gallery railing

Drawer Set - 128mm

Depth	Item No.	Colour	UOM
350mm	278159	Iron Grey	1 Set
400mm	278123	Iron Grey	1 Set
450mm	277117	Iron Grey	1 Set
450mm	277120	White	1 Set
500mm	278124	Iron Grey	1 Set

Optional parts:

Additional Gallery Rails - Rails fitted directly onto back board for customised height.



6 Gallery railing

Depth	Item No.	Colour	UOM
450mm	277285	Iron Grey	1 Pair
450mm	277284	White	1 Pair

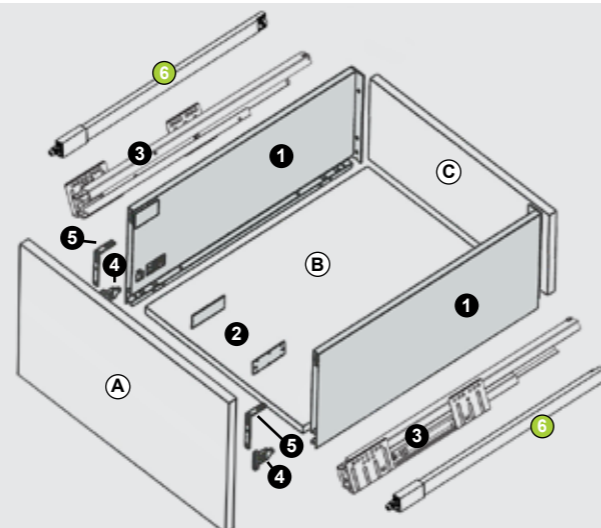
Drawer Height 175mm

Information



35kg

For 18mm base panels



Set comprises of:

- 1 Drawer side profiles left and right
- 2 Cover caps
- 3 Drawer runners left and right
- 4 Drawer front clips
- 5 Additional drawer front brackets

Not supplied:

- A Front panel
- B Base panel
- C Back panel

Optional parts:

- 6 Gallery railing

Drawer Set - 175mm

Depth	Item No.	Colour	UOM
350mm	278160	Iron Grey	1 set
400mm	278125	Iron Grey	1 set
450mm	277118	Iron Grey	1 set
450mm	277121	White	1 set
500mm	278126	Iron Grey	1 set

Optional parts:

Additional Gallery Rails - Rails fitted directly onto back board for customised height.



6 Gallery railing

Depth	Item No.	Colour	UOM
450mm	277285	Iron Grey	1 Pair
450mm	277284	White	1 Pair



Star Box Systems



KITCHEN DRAWER BOX SUITABLE FOR 18mm BOARD

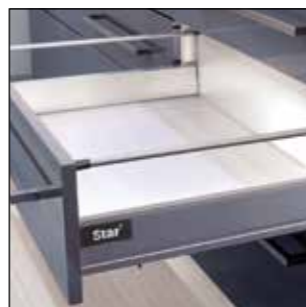
Available in:



Standard height
95mm



In-Box (2 options)
95mm



Single gallery
180mm



Glass side panel
215mm



In-Box with gallery rail
215mm



In-Box (2 options)
215mm



High gallery rail
224mm



High double gallery rail
224mm



Star Box Systems



Star Box, the flagship ECO drawer system from NEY boasts a premium soft close drawer at an economic price point.

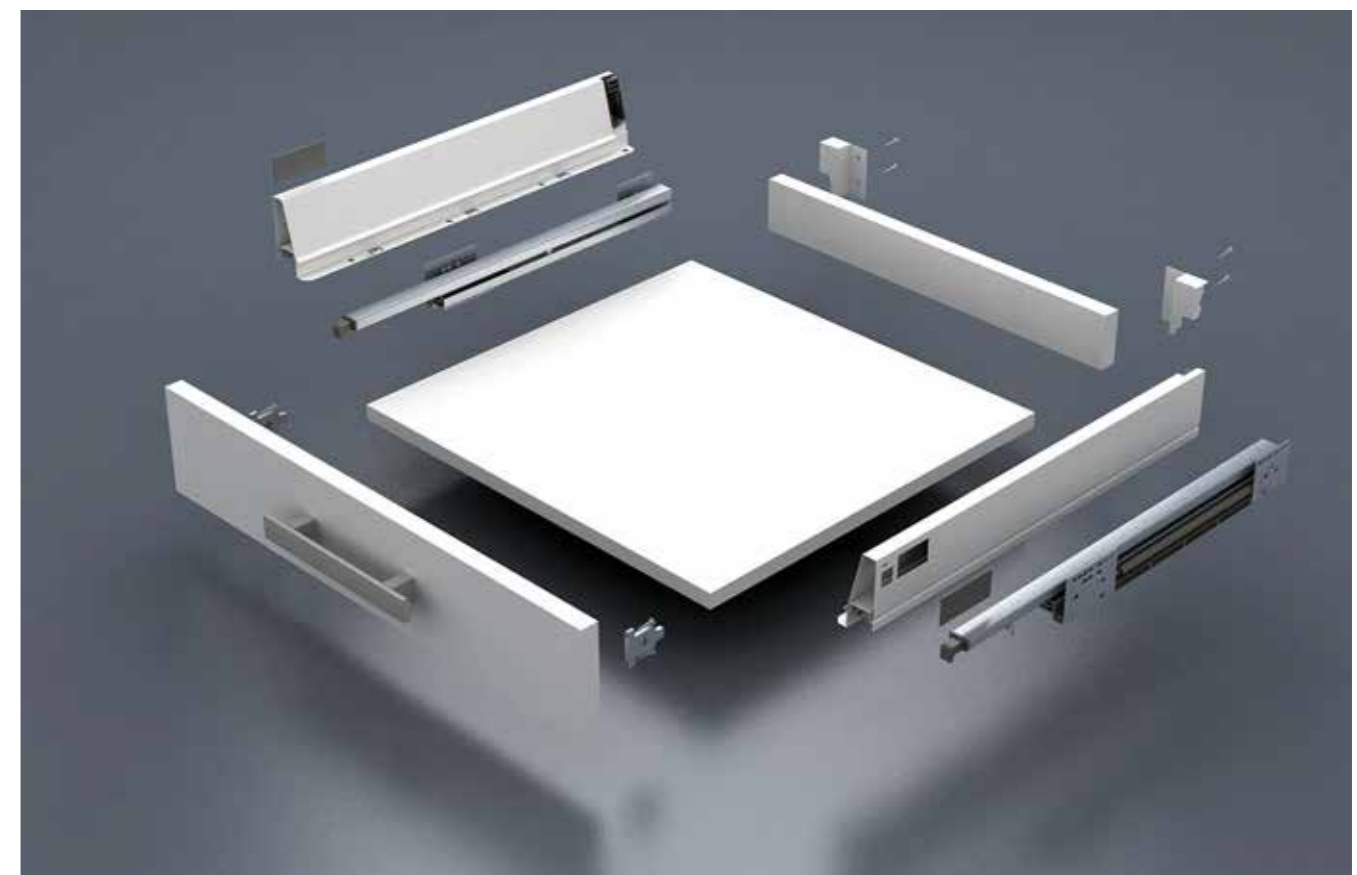
As with the KuBox, the drawer has been designed to take 18mm board. In many smaller companies this can make production quicker and cheaper because 18mm board doesn't have to be routed down to 16mm to fit into the drawers saving on an extra process. Another benefit is that 16mm board does not need to be purchased specifically for drawers, allowing customers to optimise the board and use previously scrap material for their drawer bases and backs.

The Star Box has options to add value. For the lower end it can be used with just a gallery rail for pan drawers and for the higher end a glass side panel is the choice.

The current trend in the market is to have internal drawers with aluminium front panels in tall larder units. In Addition, with the Star Box, you can add glass front and side panels for the higher end of the market.

Choosing the Star Box drawer system truly allows you to be versatile with your product offering as you can meet all aspects of price, but even more importantly when you choose Star Box as your Soft Close drawer partner, the confidence in reliability, quality and longevity will quickly be realised.

- 18mm base and back panel
- Various depths from 270mm to 500mm
- Grey finish only
- 95mm / 180mm / 215mm / 224mm heights
- 35Kg load capacity
- Tool-less assembly
- Quick insertion / removal

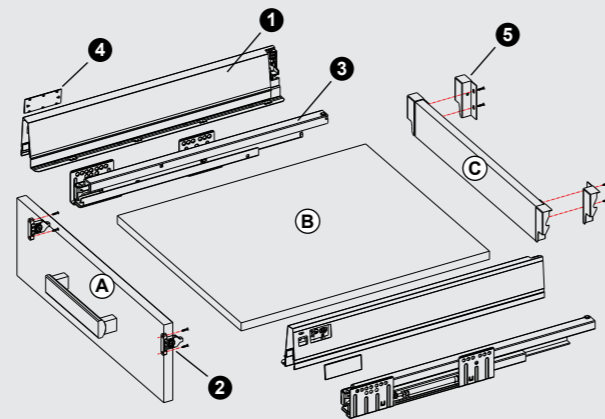


Star Box Standard - Height 95mm

Information



For 18mm base panels



Set comprises of:

- 1 Drawer side profiles left and right
- 2 Front connectors left and right
- 3 Drawer runners left and right
- 4 Cover caps x 2
- 5 Back board holders left and right

Not supplied:

- A Front panel
- B Base panel
- C Back panel

95mm Drawer Set - Grey

Depth	Item No.	UOM
270mm	262399	1 Set
350mm	276265	1 Set
400mm	276266	1 Set
450mm	262400	1 Set
500mm	262401	1 Set

95mm Drawer Set - Black

Depth	Item No.	UOM
450mm	275535	1 Set

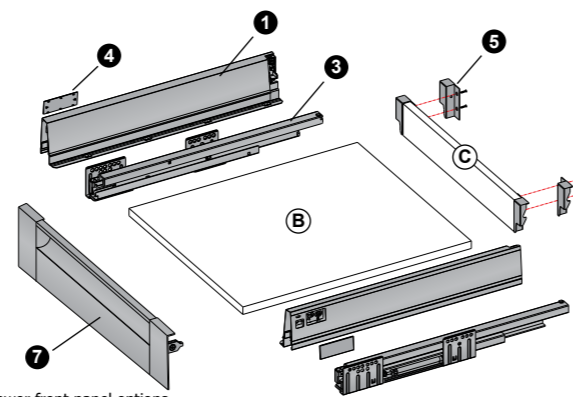
Star In-Box - Height 95mm

Information

Option 1: Aluminium front panel for standard sizes



For 18mm base panels



2 drawer front panel options available - see additional parts required

Set comprises of:

- 1 Drawer side profiles left and right
- 3 Drawer runners left and right
- 4 Cover caps x 2
- 5 Back board holders left and right

Not supplied:

- B Base panel
- C Back panel

Option 1 additional parts required:

- 7 Aluminium front panel set

Option 2 additional parts required:

- 6 Aluminium front panel
- 10 Front connectors left and right

95mm Drawer Set - Grey

Depth	Item No.	UOM
270mm	262399	1 Set
350mm	276265	1 Set
400mm	276266	1 Set
450mm	262400	1 Set
500mm	262401	1 Set

95mm Drawer Set - Black

Depth	Item No.	UOM
450mm	275535	1 Set

Additional parts required:

Option 1 - Aluminium Front Panel for standard sizes

7 Aluminium front panel set

Width	Item No.	UOM	Col
400mm	273347	1 Set	Grey
450mm	273348	1 Set	Grey
500mm	273349	1 Set	Grey
600mm	273350	1 Set	Grey

Option 2 - Aluminium Front Panel for bespoke sizes

6 Aluminium front panel

Length	Item No.	UOM	Col
2000mm	276284	1pc	Grey
1000mm	280143	1pc	Black

10 Front connectors left and right

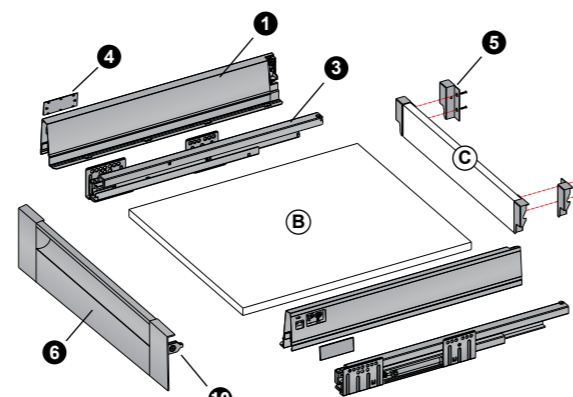
Height	Item No.	UOM	Col
95mm	277064	1 Set	Grey
95mm	280142	1 Set	Black



Option 2: Aluminium front panel for bespoke sizes



For 18mm base panels



2 drawer front panel options available - see additional parts required

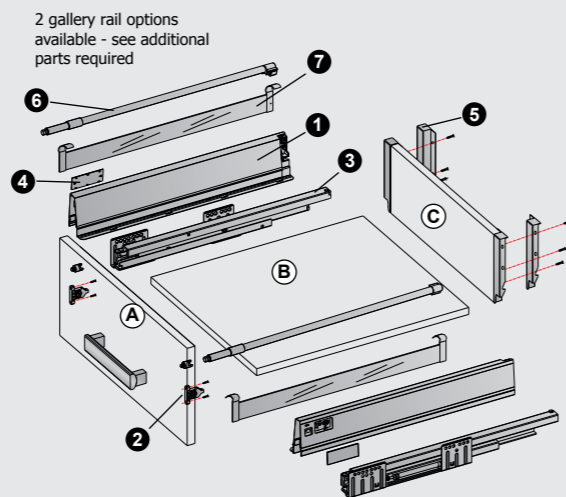
Star Box Single Gallery Rail - Height 180mm

Information



35kg

For 18mm base panels



2 gallery rail options available - see additional parts required

Set comprises of:

- 1 Drawer side profiles left and right
- 2 Front connectors left and right
- 3 Drawer runners left and right
- 4 Cover caps x 2

Not supplied:

- (A) Front panel
- (B) Base panel
- (C) Back panel

Additional parts required:

- 5 Back board holders left and right
- 6 Gallery railings left and right

Optional parts:

- 7 Acrylic frosted side panel

Drawer Set - Grey

Depth	Item No.	UOM
270mm	262399	1 Set
350mm	276265	1 Set
400mm	276266	1 Set
450mm	262400	1 Set
500mm	262401	1 Set

Optional parts:

7 Frosted acrylic panel

Size	Item No.	UOM
270mm	273295	1 Set
350mm	276426	1 Set
400mm	276428	1 Set
450mm	273296	1 Set
500mm	273297	1 Set

Additional parts required:

5 Back board holders left and right

Height	Item No.	UOM	Col
180mm	262407	1 Set	Grey
180mm	275539	1 Set	Black

6 Option 1: Gallery railing - Dowel

Depth	Item No.	UOM	Col
270mm	262403	1 Set	Grey
350mm	276267	1 Set	Grey
400mm	276268	1 Set	Grey
450mm	262404	1 Set	Grey
500mm	262405	1 Set	Grey

6 Option 2: Gallery railing - Screw-in

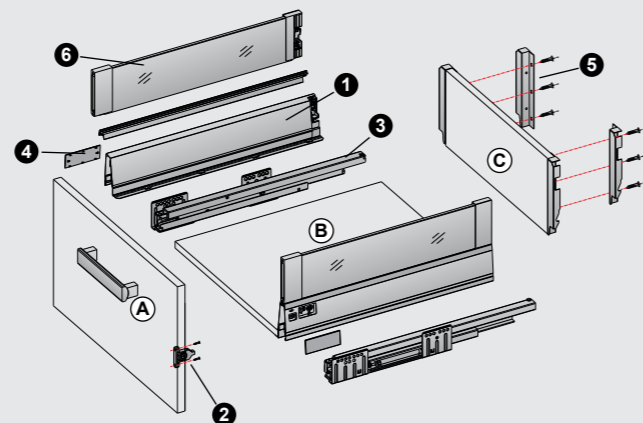
Depth	Item No.	UOM	Col
270mm	276279	1 Set	Grey
350mm	276280	1 Set	Grey
400mm	276281	1 Set	Grey
450mm	276282	1 Set	Grey
450mm	275536	1 Set	Black
500mm	276283	1 Set	Grey

Star Box Glass Side - Height 215mm



35kg

For 18mm base panels



Set comprises of:

- 1 Drawer side profiles left and right
- 2 Front connectors left and right
- 3 Drawer runners left and right
- 4 Cover caps x 2

Not supplied:

- (A) Front panel
- (B) Base panel
- (C) Back panel

Additional parts required:

- 5 Back board holders left and right
- 6 Glass side panels left and right

Drawer Set - Grey

Depth	Item No.	UOM
270mm	262399	1 Set
350mm	276265	1 Set
400mm	276266	1 Set
450mm	262400	1 Set
500mm	262401	1 Set

Additional parts required:

5 Back board holders left and right

Height	Item No.	UOM	Col
215mm	273345	1 Set	Grey
215mm	280210	1 Set	Black

6 Glass side panel

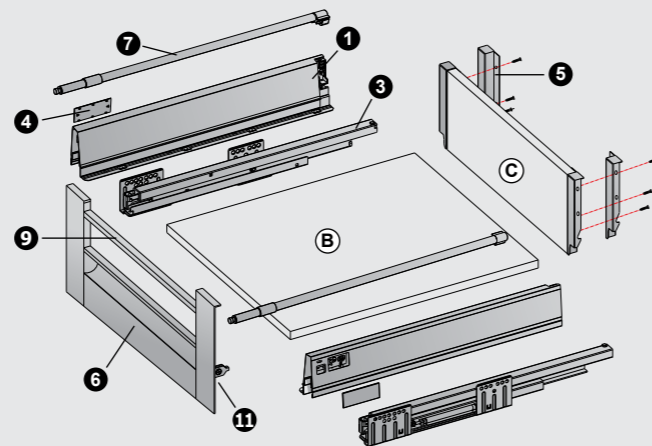
Depth	Item No.	UOM
270mm	273343	1 Set
350mm	276850	1 Set
400mm	276851	1 Set
450mm	273291	1 Set
500mm	273344	1 Set

Star In-Box With Gallery Rail - Height 215mm



30kg

For 18mm base panels



Information

Set comprises of:

- 1 Drawer side profiles left and right
- 3 Drawer runners left and right
- 4 Cover caps x 2

Not supplied:

- B Base panel
- C Back panel

Additional parts required:

- 5 Back board holders left and right
- 6 Aluminium front panel
- 7 Aluminium front rail
- 9 Gallery railing
- 11 Front connectors

Drawer Set - Grey

Depth	Item No.	UOM
270mm	262399	1 Set
350mm	276265	1 Set
400mm	276266	1 Set
450mm	262400	1 Set
500mm	262401	1 Set

7 Gallery railing - Screw-in

Depth	Item No.	UOM	Col
270mm	276279	1 Set	Grey
350mm	276280	1 Set	Grey
400mm	276281	1 Set	Grey
450mm	276282	1 Set	Grey
450mm	275536	1 Set	Black
500mm	276283	1 Set	Grey

Note:
Acrylic panel cannot be used on an internal drawer.

Additional parts required:

- 5 Back board holders left and right

Height	Item No.	UOM	Col
180mm	273345	1 Set	Grey
180mm	283731	1 Set	Black
- 6 Aluminium front panel

Length	Item No.	UOM	Col
2000mm	276284	1pc	Grey
1000mm	280143	1pc	Black
- 9 Aluminium front rail

Length	Item No.	UOM	Col
2000mm	276285	1pc	Grey
1000mm	280155	1pc	Black
- 11 Front connectors left and right

Height	Item No.	UOM	Col
180mm	276853	1 Set	Grey
180mm	280154	1 Set	Black

Star In-Box Glass Side with Optional Glass Front or Aluminium Rail - Height 215mm

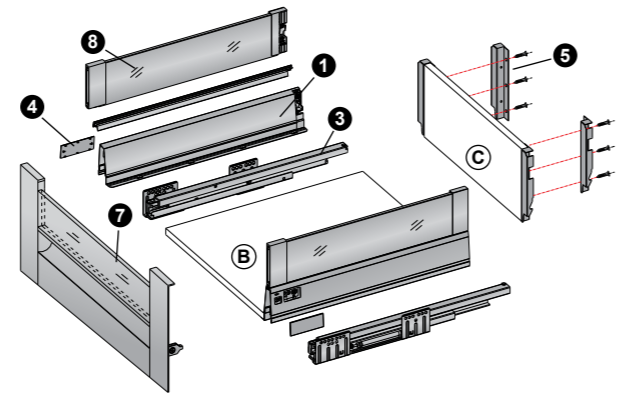
Information

Option 1: With glass front panel



35kg

For 18mm base panels



Set comprises of:

- 1 Drawer side profiles left and right
- 3 Drawer runners left and right
- 4 Cover caps x 2
- 8 Glass side panel

Not supplied:

- B Base panel
- C Back panel

Option 1 additional parts required:

- 7 Glass in-box front panel set
- 5 Back board holders left and right

Option 2 additional parts required:

- 6 Aluminium front panel
- 9 Aluminium front rail
- 12 Front connectors left and right
- 5 Back board holders left and right

Additional parts required:

Option 1 - Glass Front Panel

7 Glass in-box front panel set

Depth	Item No.	UOM
400mm	273355	1 Set
450mm	273356	1 Set
500mm	273357	1 Set
600mm	273358	1 Set

5 Back board holders left and right

Height	Item No.	UOM	Col
215mm	273345	1 Set	Grey
215mm	280210	1 Set	Black

Option 2 - Aluminium Front Rail

6 Aluminium front panel

Length	Item No.	UOM	Col
2000mm	276284	1pc	Grey
1000mm	280143	1pc	Black

9 Aluminium front rail

Length	Item No.	UOM	Col
2000mm	276285	1pc	Grey
1000mm	280155	1pc	Black

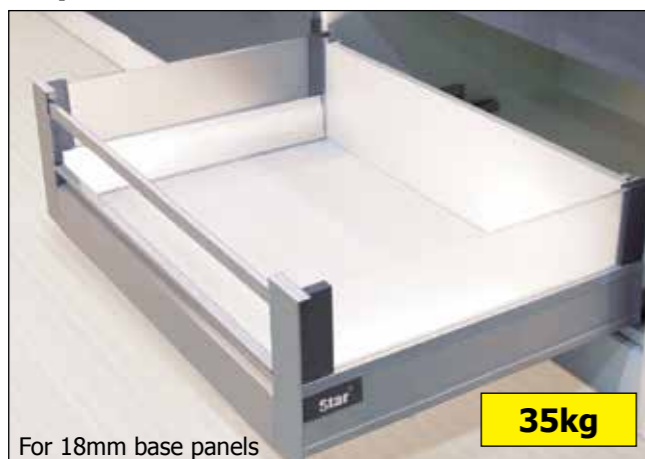
12 Front connectors left and right

Height	Item No.	UOM	Col
215mm	277064	1 Set	Grey
215mm	280142	1 Set	Black

5 Back board holders left and right

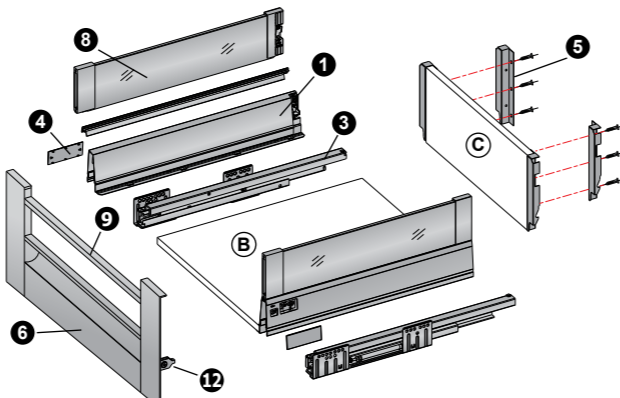
Height	Item No.	UOM	Col
215mm	273345	1 Set	Grey
215mm	280210	1 Set	Black

Option 2: With aluminium front rail



35kg

For 18mm base panels



Drawer Set - Grey

Depth	Item No.	UOM
270mm	262399	1 Set
350mm	276265	1 Set
400mm	276266	1 Set
450mm	262400	1 Set
500mm	262401	1 Set

Glass Side Panel

Depth	Item No.	UOM
270mm	273343	1 Set
350mm	276850	1 Set
400mm	276851	1 Set
450mm	273291	1 Set
500mm	273344	1 Set

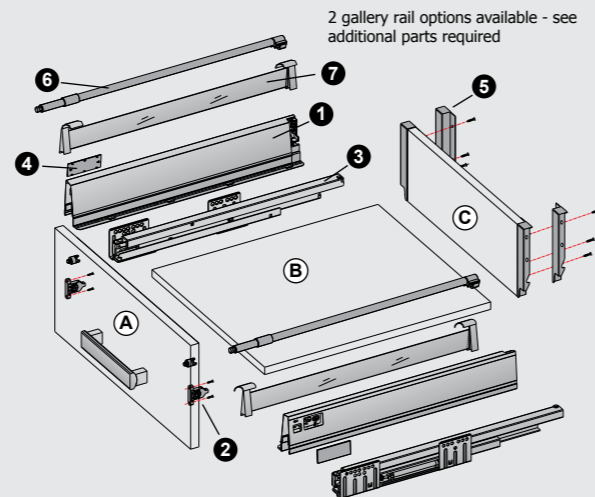


Starbox Standard - Height 224mm

Information



For 18mm base panels



Set comprises of:

- 1 Drawer side profiles left and right
- 2 Front connectors left and right
- 3 Drawer runners left and right
- 4 Cover caps x 2

Not supplied:

- A Front panel
- B Base panel
- C Back panel

Additional parts required:

- 5 Back board holders left and right
- 6 Gallery rails
- 7 Double gallery rail clip

Optional parts:

- 7 Acrylic frosted side panel left and right

Drawer Set - Grey

Depth	Item No.	UOM
270mm	262399	1 Set
350mm	276265	1 Set
400mm	276266	1 Set
450mm	262400	1 Set
500mm	262401	1 Set

Optional parts:

- 7 Frosted acrylic panel set

Size	Item No.	UOM
270mm	273298	1 Set
350mm	276427	1 Set
400mm	276429	1 Set
450mm	273292	1 Set
500mm	273342	1 Set

Additional parts required:

- 5 Back board holders left and right

Height	Item No.	UOM	Col
224mm	262408	1 Set	Grey
224mm	275537	1 Set	Black

- 6 **Option 1:** Gallery railing - Dowel

Depth	Item No.	UOM	Col
270mm	262403	1 Set	Grey
350mm	276267	1 Set	Grey
400mm	276268	1 Set	Grey
450mm	262404	1 Set	Grey
500mm	262405	1 Set	Grey

- 6 **Option 2:** Gallery railing - Screw-in

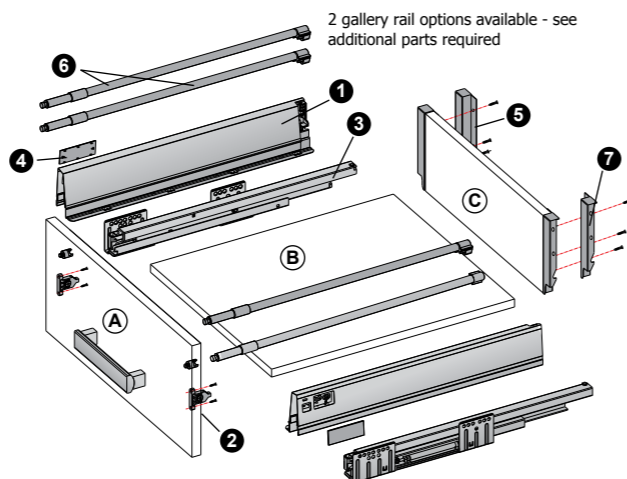
Depth	Item No.	UOM	Col
270mm	276279	1 Set	Grey
350mm	276280	1 Set	Grey
400mm	276281	1 Set	Grey
450mm	276282	1 Set	Grey
450mm	275536	1 Set	Black
500mm	276283	1 Set	Grey

Star Box Single Gallery Rail - Height 224mm

Information



For 18mm base panels



Set comprises of:

- 1 Drawer side profiles left and right
- 2 Front connectors left and right
- 3 Drawer runners left and right
- 4 Cover caps x 2

Not supplied:

- A Front panel
- B Base panel
- C Back panel

Additional parts required:

- 5 Back board holders left and right
- 6 Gallery rails
- 7 Double gallery rail clip

Drawer Set - Grey

Depth	Item No.	UOM
270mm	262399	1 Set
350mm	276265	1 Set
400mm	276266	1 Set
450mm	262400	1 Set
500mm	262401	1 Set

Additional parts required:

- 5 Back board holders left and right

Height	Item No.	UOM	Col
180mm	262408	1 Set	Grey
180mm	275537	1 Set	Black

- 6 **Option 1:** Gallery railing - Dowel

Depth	Item No.	UOM	Col
270mm	262403	1 Set	Grey
350mm	276267	1 Set	Grey
400mm	276268	1 Set	Grey
450mm	262404	1 Set	Grey
500mm	262405	1 Set	Grey

- 6 **Option 2:** Gallery railing - Screw-in

Depth	Item No.	UOM	Col
270mm	276279	1 Set	Grey
350mm	276280	1 Set	Grey
400mm	276281	1 Set	Grey
450mm	276282	1 Set	Grey
450mm	275536	1 Set	Black
500mm	276283	1 Set	Grey

- 7 Double gallery rail clip for grey or black drawer

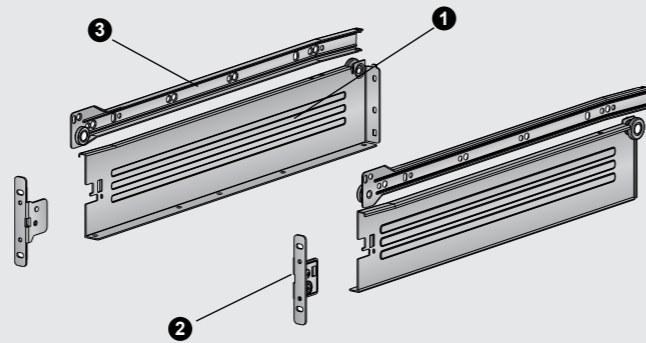
Height	Item No.	UOM	Col
224mm	263585	1pc*	Dk Grey

*2 clips required per drawer

Metal Box - Height 86mm, 118mm and 150mm



Metal Box



Set comprises of:

- 1 Drawer side profiles left and right
- 2 Front connectors left and right
- 3 Drawer runners left and right

Not supplied:

- A Front panel
- B Base panel
- C Back panel



White Sets		
Drawer Set - Height 86mm		
Width	Item No.	UOM
350mm	111072	1 Set
400mm	111073	1 Set
450mm	111074	1 Set
500mm	111075	1 set

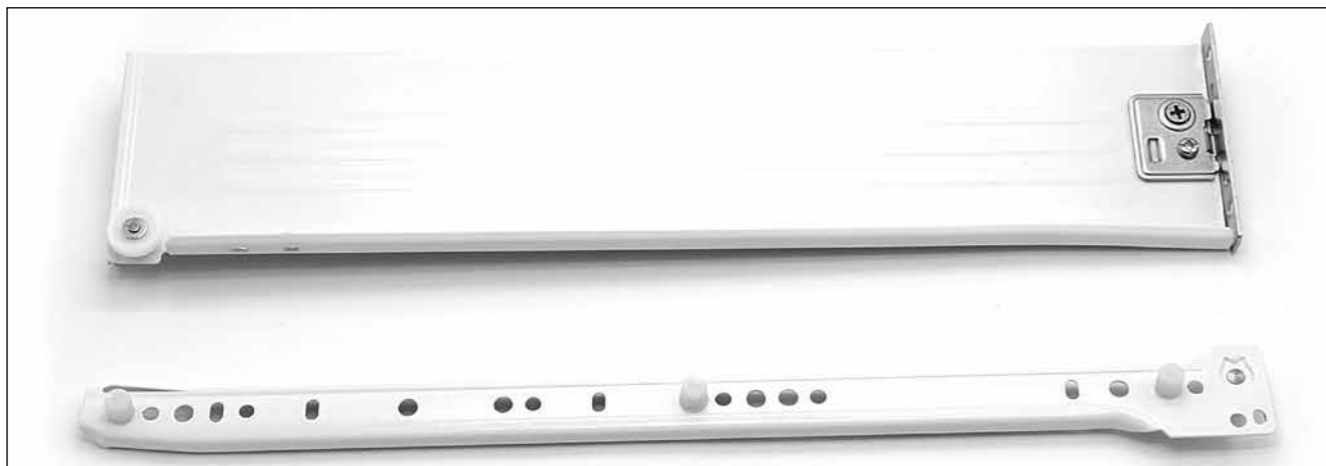
Drawer Set - Height 118mm		
Width	Item No.	UOM
350mm	263490	1 Set
400mm	263492	1 Set
450mm	263494	1 Set
500mm	276478	1 set

Drawer Set - Height 150mm		
Width	Item No.	UOM
350mm	263496	1 Set
400mm	263498	1 Set
450mm	263500	1 Set
500mm	276479	1 set

Grey Sets		
Drawer Set - Height 86mm		
Width	Item No.	UOM
350mm	263486	1 Set
400mm	263487	1 Set
450mm	263488	1 Set
500mm	276475	1 set

Drawer Set - Height 118mm		
Width	Item No.	UOM
350mm	263491	1 Set
400mm	263493	1 Set
450mm	263495	1 Set
500mm	276476	1 set

Drawer Set - Height 150mm		
Width	Item No.	UOM
350mm	263497	1 Set
400mm	263499	1 Set
450mm	263501	1 Set
500mm	276477	1 set



Quadro

elite

Drawer runners for wooden drawers Soft close and push open



- Quadro 25**
For 16 and 19mm side panels
- Quadro V6**
For 16 and 19mm side panels
- Quadro V6 4D**
For 16mm side panels

Quadro drawer runners guarantee the ultimate in drawer convenience.

Suited to any application, Quadro drawer runners give furniture and kitchen manufacturers the perfect answer to meet any demand in furniture design without having to make any change to wooden drawer or carcass. From plug on partial extension runner to full extension runner with 4D front panel adjustment, Hettich notches up the Quadro range.

The optional Silent System gently shuts drawers in complete silence. The Push to open function automatically opens the pull-out in response to a light press on the front panel - for handle-less front panels.



Push To Open Cartridge For Quadro Runners
Opens without handles, closes with Silent System. See page 47



Even heavy drawers close quietly and gently – thanks to the integrated Silent System.



Push to open: for drawers that glide out automatically. The perfect solution for handle-less front panels.



Installing wooden drawers couldn't be easier: slide on or plug on principle.

Quadro 4D V6 Adjustment

The Quadro 4D adjustment capability lets you adjust drawer fronts vertically, laterally and in depth and tilt all as standard. This also provides the perfect solution to realising large size drawer fronts with narrow gaps. The adjusting mechanisms are easily accessible and, with a different surface feel, easy to tell apart. This makes adjustment fast, straightforward and intuitive.



Height Adjustment



Side Adjustment



Tilt Adjustment



Depth Adjustment





Quadro Under-Mount 4D V6 Single and Full Extension Slides

elite

Quadro 4D V6 - Full Extension



- Silent System - the integrated Silent System closes the drawer quietly and gently
- Push to open - the precision activating mechanism automatically opens the drawer in virtual silence - a light press is all it takes!
- Convenient slide on installation with 4D catch and tilt adjuster
- Tool-less, intuitive height adjustment up to + 2 mm, side adjustment up to +/- 1.5 mm Depth adjustment up to +/- 2 mm and tilt adjustment
- Load capacity to EN 15338, Level 3
- Galvanised steel, suitable for rooms exposed to moisture

Information

For 16mm side panels

Soft Close Option

Depth	Item No.	UOM
250mm	278039	1 Set
300mm	278040	1 Set
350mm	278041	1 Set
400mm	278042	1 Set
450mm	278043	1 Set
500mm	278044	1 Set
550mm	278045	1 Set
600mm	278046	1 Set

Push Open Option

Depth	Item No.	UOM
250mm	278047	1 Set
300mm	278048	1 Set
350mm	278049	1 Set
400mm	278050	1 Set
450mm	278051	1 Set
500mm	278052	1 Set
550mm	278053	1 Set
600mm	278054	1 Set

...adjust drawer fronts vertically, laterally and in depth and tilt all as standard.



Quadro Push To Open Cartridge

elite

Opens without handles, closes with Silent System

With Push to open Silent, drawers are incredibly easy to open without handles, gently and quietly closing again from just a slight turn of the wrist. Drawers can still be pulled open and guided closed. Instead of springing back, Push to open Silent stores energy and assists the closing cycle as the drawer slowly glides in.

With optional synchronisation, the system can be activated from the edges of large drawer fronts, even with narrow front panel reveals. Light drawers are easily closed with optional 10kg runners.

- Opening system for optionally upgrading Quadro 4D V6 drawer runners fitted with Silent System
- Minimal 2.5mm front panel reveal
- Drawer energy storage system assists slow closing cycle
- Drawer can still be guided closed / pulled open
- Reliable activation from optional synchronisation
- Clips into place without the need for tools
- For all nominal drawer lengths and carcass widths of 275mm and over
- Units: 10kg, 20kg, 30kg



Quadro 4D Push To Open Cartridge

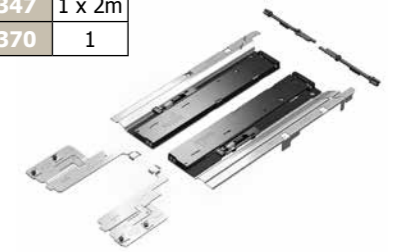
elite



- Minimal 2.5mm front panel reveal
- Drawer energy storage system assists slow closing cycle
- Drawer can still be guided closed / pulled open
- Reliable activation from optional synchronisation
- Clips into place without the need for tools
- For all nominal drawer lengths and carcass widths of 275mm and over
- Units: 10kg, 20kg, 30kg

Total weight Kg	Quadro Kg	Length mm	Item No.	UOM
< 10	10	250 - 350	285499	1 Set
8 - 20	30	250 - 600	285500	1 Set
10 - 30	40	350 - 600	285501	1 Set

Description	Item No.	UOM
Syncro bar	283347	1 x 2m
Syncro bar connector	284370	1



Recommendation for drawer (front panel height up to approx. 150mm)

Length mm	Width mm												
	275	300	350	400	450	500	550	600	700	800	900	1000	1200
250 - 300													
320 - 350													
380 - 550													
580 - 600													

Recommendation for pot-and-pan drawer (front panel height up to approx. 300mm, light to medium duty loading)

Length mm	Width mm												
	275	300	350	400	450	500	550	600	700	800	900	1000	1200
250 - 300													
320 - 350													
380 - 550													
580 - 600													

Recommendation for pot-and-pan drawer, heavy duty (front panel height up to approx. 300mm, heavy duty loading)

Length mm	Width mm												
	275	300	350	400	450	500	550	600	700	800	900	1000	1200
250 - 300													
320 - 350													
380 - 550													
580 - 600													



Quadro Under-Mount Single and Full Extension Slides

elite

Quadro 25 - Single Extension



Quadro Under-Mount Single and Full Extension Slides

elite

Information



- Silent System - the integrated Silent System closes the drawer quietly and gently
- Push to open - the precision activating mechanism automatically opens the drawer in virtual silence - a light press is all it takes!
- Convenient slide on installation with catches and tool-less height adjustment
- Flexible interchangeable system - from Quadro partial to full extension runner without altering carcass, drawer or front panel dimensions
- Galvanised steel, suitable for rooms exposed to moisture. Load capacity to EN 15338, Level 3

For 16mm side panels

Soft Close Option			Push Open Option		
Depth	Item No.	UOM	Depth	Item No.	UOM
250mm	278472	1 Set	250mm	278030	1 Set
300mm	278024	1 Set	300mm	278031	1 Set
350mm	278025	1 Set	350mm	278032	1 Set
400mm	278026	1 Set	400mm	278033	1 Set
450mm	278027	1 Set	450mm	278034	1 Set
500mm	278028	1 Set	500mm	278035	1 Set
550mm	278029	1 Set	550mm	278036	1 Set

For 19mm side panels

Soft Close Option			Push Open Option		
Depth	Item No.	UOM	Depth	Item No.	UOM
300mm	281118	1 Set	300mm	281123	1 Set
350mm	281119	1 Set	350mm	281124	1 Set
400mm	281120	1 Set	400mm	281125	1 Set
450mm	281121	1 Set	450mm	281126	1 Set
500mm	281122	1 Set	500mm	281127	1 Set

Additional parts required:



Catches:
For wooden drawers with grooved bottom panel (Quadro 25 and Quadro V6)

Hand	Item No.	UOM
Left	278037	1
Right	278038	1

Quadro V6 - Full Extension

Information



- Silent System - the integrated Silent System closes the drawer quietly and gently
- Push to open - the precision activating mechanism automatically opens the drawer in virtual silence - a light press is all it takes!
- Convenient slide on installation with catches and tool-less height adjustment
- Load capacity to EN 15338, Level 3
- Galvanised steel, suitable for rooms exposed to moisture

For 16mm side panels

Soft Close Option			Push Open Option		
Depth	Item No.	UOM	Depth	Item No.	UOM
250mm	278518	1 Set	250mm	278016	1 Set
300mm	278009	1 Set	300mm	278017	1 Set
350mm	278010	1 Set	350mm	278018	1 Set
400mm	278011	1 Set	400mm	278019	1 Set
450mm	278012	1 Set	450mm	278020	1 Set
500mm	278013	1 Set	500mm	278021	1 Set
550mm	278014	1 Set	550mm	278022	1 Set
600mm	278015	1 Set			

For 19mm side panels

Soft Close Option			Push Open Option		
Depth	Item No.	UOM	Depth	Item No.	UOM
300mm	281128	1 Set	300mm	281147	1 Set
350mm	281129	1 Set	350mm	281148	1 Set
400mm	281130	1 Set	400mm	281149	1 Set
450mm	281131	1 Set	450mm	281150	1 Set
500mm	281132	1 Set	500mm	281151	1 Set

Additional parts required:



Catches:
For wooden drawers with grooved bottom panel (Quadro 25 and Quadro V6)

Hand	Item No.	UOM
Left	278037	1
Right	278038	1



Drawer Slide Systems

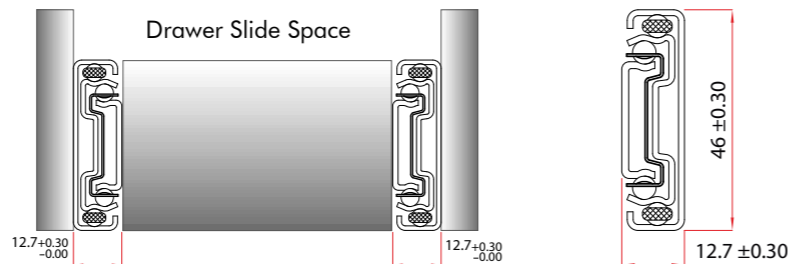
elite

Premium Ball Bearing Slides



45kg

A new addition to our drawer slide products here at NEY is a premium soft close ball bearing slide. If you make a comparison to any like for like product on the market we can guarantee our Elite ball bearing slide will be a match in quality and price. This product will provide you with:



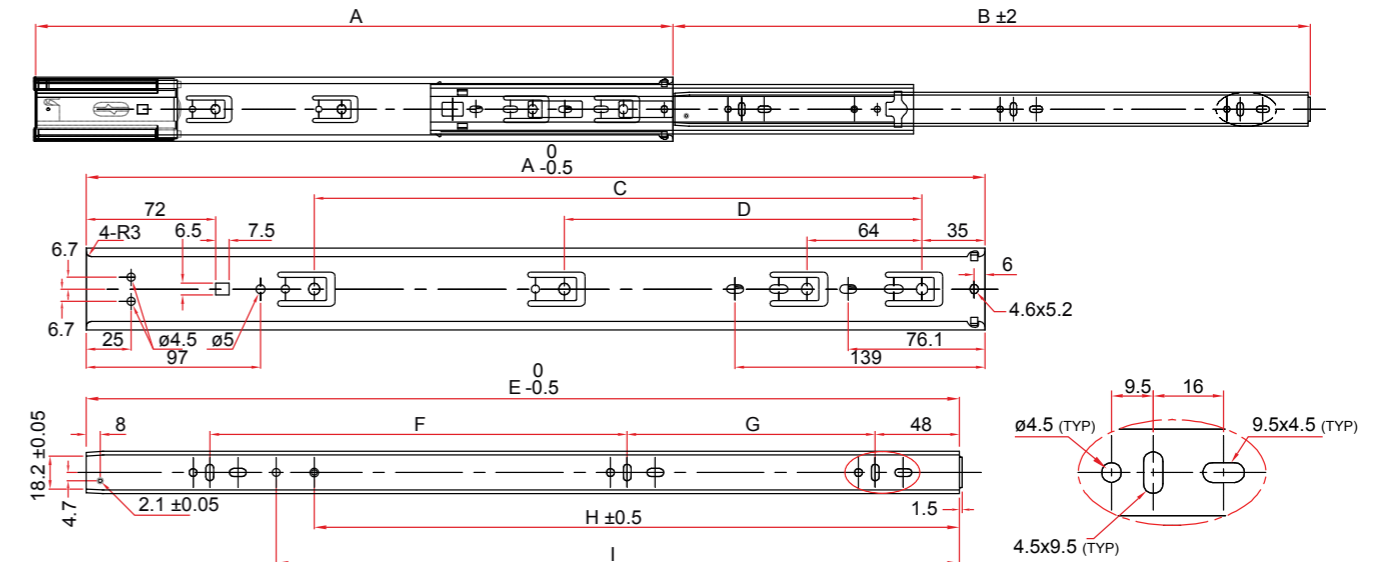
- Smooth and silent action regardless of load capacity
- High reliability
- Long and maintenance free service life
- Fira tested meeting British and international standards (important for certain contracts)
- 80,000 cycles
- Long lasting and durable soft close mechanism

80,000
 45
 Soft Close
 Push On

Drawer Slide Systems

elite

Information



Soft Close Example Dimensions

A	B	C	D	E	F	G	H	I
350	350	-	192	347	160	96	273.5	-
400	400	-	224	397	160	128	289.5	-
450	450	288	160	447	192	160	320.5	-
500	500	320	160	497	224	192	344.5	-
550	550	384	224	547	256	192	370.5	422.5

Ball Bearing Slide - Standard

Depth	Item No.	UOM
250mm	276895	1 set
300mm	276896	1 set
350mm	276897	1 set
400mm	276898	1 set
450mm	275871	1 set
500mm	276900	1 set
550mm	276899	1 set
600mm	276901	1 set

Ball Bearing Slide - Soft Close

Depth	Item No.	UOM
350mm	275349	1 set
400mm	275348	1 set
450mm	275217	1 set
500mm	275350	1 set
550mm	276949	1 set
600mm	277523	1 set

Ball Bearing Slide - Push Open

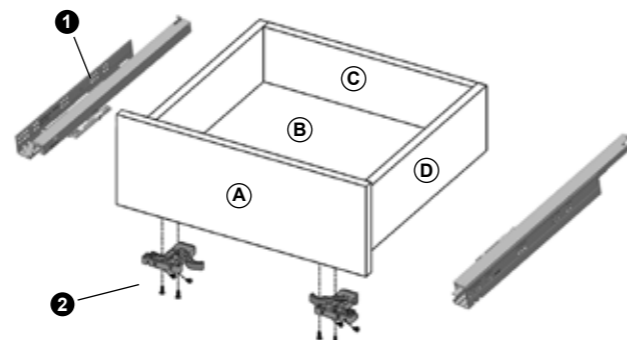
Depth	Item No.	UOM
350mm	278233	1 set
400mm	277150	1 set
450mm	276697	1 set
500mm	277151	1 set
550mm	277186	1 set
600mm	278479	1 set

Smart Slide Push Open Soft Close

Information



30kg



Set comprises of:

- 1 Smart slide left and right

Not supplied:

- A Front panel
- B Base panel
- C Back panel
- D Side panel

Additional parts required:

- 2 Front catches

Smart Slide Drawer Set

Width	Item No.	UOM
350mm	273257	1 Set
400mm	273258	1 Set
450mm	273259	1 Set
500mm	273260	1 Set
550mm	273261	1 Set
600mm	273262	1 Set

Additional parts required:

- 2 Front catches

Description	Item No.	UOM
Left-hand	110673	1
Right-hand	110674	1



Drawer Slide Systems

elite

Q-Series Slides



Drawer Slide Systems

elite

Information

- Perfect light, smooth, silent soft close system
- Quick and easy assembly and dismantling of the drawer
- Perfect vertical and lateral stability
- The rust resilient tracks ensure optimal slide action through precision guided steel balls
- Maintenance free through self-cleaning ball tracks
- Height adjustment 0-2mm
- Load capacity: Single Extension 25kg
- Load capacity: Full Extension 30kg

Q-Series Single Extension Slide

Width	Item No.	UOM
300mm	285507	1 Set
350mm	285508	1 Set
400mm	285510	1 Set
450mm	285511	1 Set
500mm	285512	1 Set

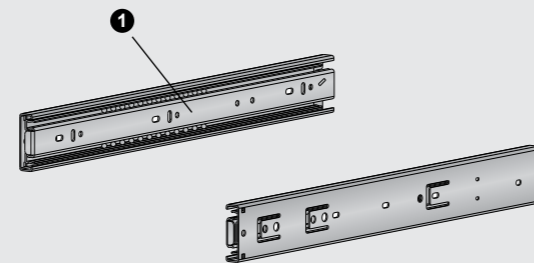
Q-Series Full Extension Slide

Width	Item No.	UOM
300mm	285502	1 Set
350mm	285503	1 Set
400mm	285504	1 Set
450mm	282661	1 Set
500mm	285505	1 Set
550mm	285506	

Drawer Slide Systems

eco

Eco Ball Bearing Slides



Information

Set comprises of:

- 1 Cabinet members left and right
- 2 Drawer members left and right

Not supplied:

- (A) Front panel
- (B) Base panel
- (C) Back panel
- (D) Side panel

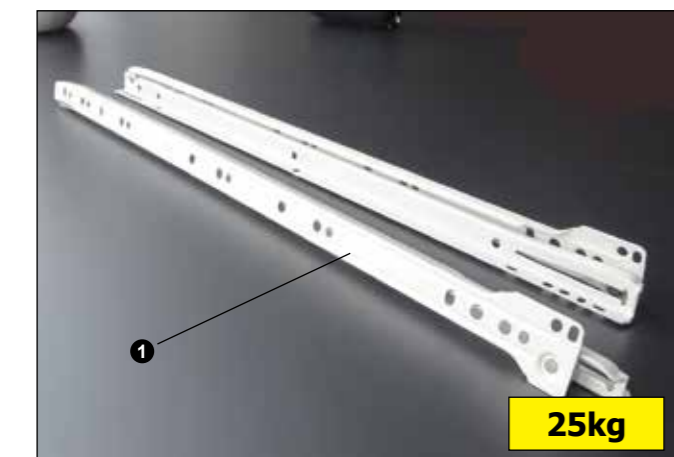
Standard Drawer Set Option

Width	Item No.	UOM
250mm	110881	1 Set
300mm	110882	1 Set
350mm	110883	1 Set
400mm	110885	1 Set
450mm	110887	1 Set
500mm	110889	1 Set
550mm	110891	1 Set
600mm	110893	1 Set
650mm	110895	1 Set
700mm	110897	1 Set

Soft Close Drawer Set Option

Width	Item No.	UOM
350mm	110884	1 Set
400mm	110886	1 Set
450mm	110888	1 Set
500mm	110890	1 Set
550mm	110892	1 Set
600mm	110894	1 Set

Eco Bottom Mounted Slides



Information

Set comprises of:

- 1 Slide set left and right

Drawer Set - White

Width	Item No.	UOM
300mm	263502	1 Set
350mm	110904	1 Set
400mm	263504	1 Set
450mm	110906	1 Set
500mm	263505	1 Set



KITCHEN STORAGE



KITCHEN STORAGE

TABLE OF CONTENTS



Contents:

Elite - Wireworks	56
Eco - Wireworks	68
EcoPlus - Wireworks	80
EcoPlus - Drawer inserts	84
Eco - Drawer inserts	88
Tambour doors	89

Elite

elite

Elite Kitchen Storage

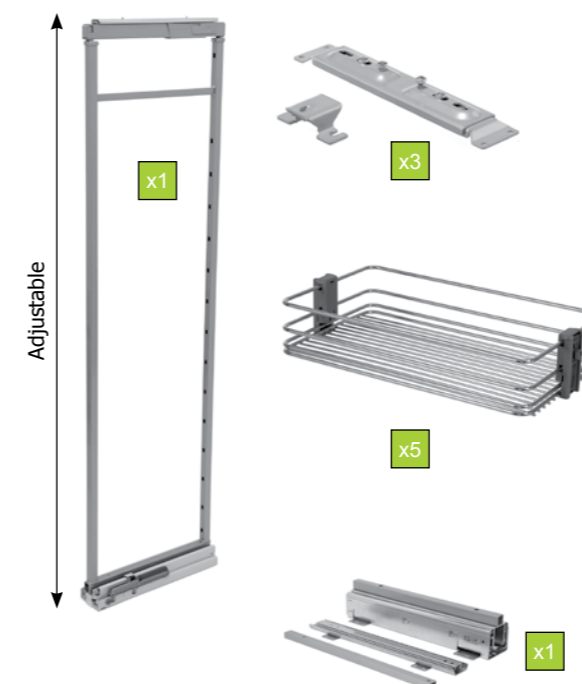


Larder Units

elite



FULL HEIGHT Larder Unit - Adjustable frame 1700mm – 2000mm.



Larder kit consisting of multi-slide frame, door mounting brackets and other mounting hardware. Fast application to the frame internal holes, basket with wire bottom, nylon clip-on fittings included.

Key Features:

- Soft closing
- Full extension
- 120kg Load capacity
- Adjustable frame
- Chrome wirework
- Grey framework and fittings

Width	Depth	Height	Item No.	UOM
300mm	485mm	1693mm-1993mm	262544	1
400mm	485mm	1693mm-1993mm	262545	1
500mm	485mm	1693mm-1993mm	262546	1
600mm	485mm	1693mm-1993mm	262547	1

150mm Larder Units

elite

150mm Larder Unit



Full height larder unit - 1700mm.
Kit consisting of larder frame, door mounting brackets and other mounting hardware for fast application and three dimensional adjustment.

Key Features:

- Soft closing
- Full extension
- 60KG load capacity
- 5 wire baskets
- Side mounted
- Chrome wirework

Width	Depth	Height	Hand	Item No.	UOM
150mm	469mm	1700mm	Right	263103	1
150mm	469mm	1700mm	Left	263104	1

150mm Wine Rack Larder Unit



Full height larder unit - 1700mm.
Kit consisting of larder frame, door mounting brackets and other mounting hardware for fast application and three dimensional adjustment.

Key Features:

- Soft closing
- Side mounted
- Full extension
- 60KG load capacity
- 20 bottle capacity
- 3 shelves with transparent trays
- Chrome wirework

Width	Depth	Height	Hand	Item No.	UOM
150mm	469mm	1700mm	Right	263107	1
150mm	469mm	1700mm	Left	263108	1

150mm Larder Units

elite

Soft Closing Broom Holder



150mm Broom Holder

Full height larder unit - 1700mm.
Kit consisting of larder frame, door mounting brackets and other mounting hardware for fast application and three dimensional adjustment.

Key Features:

- Soft closing
- Side mounted
- Full extension
- 2 shelves with transparent trays
- Chrome wirework

Width	Depth	Height	Hand	Item No.	UOM
150mm	469mm	1700mm	Right	262518	1
150mm	469mm	1700mm	Left	262519	1

Corner Units

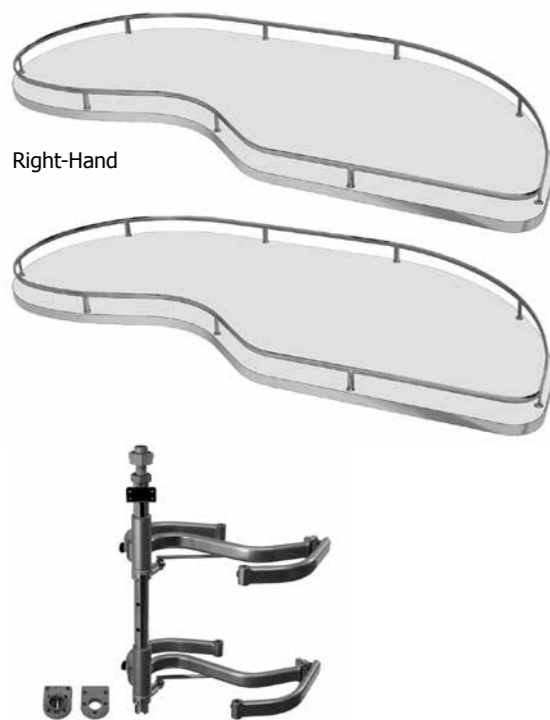
elite



Fly Moon
Soft closing corner solution

Left-Hand

Fly Moon



The fly moon is a soft closing corner solution for an 800mm base corner unit with a 450mm door. The moon mechanism not only pulls out but also slides out of the cabinet to give full access to both shelves.

Key Features:

- Soft closing
- 20kg load capacity per basket
- 2 x basket per ECO moon
- Baskets operate independently
- Grey epoxy frame
- Chrome wirework
- White basket base

Width	Depth	Height	Hand	Item No.	UOM
450/500mm	434mm	55mm	Left	262520	1
450/500mm	434mm	55mm	Right	262521	1
600mm	453mm	55mm	Left	262522	1
600mm	453mm	55mm	Right	262523	1

Corner Units

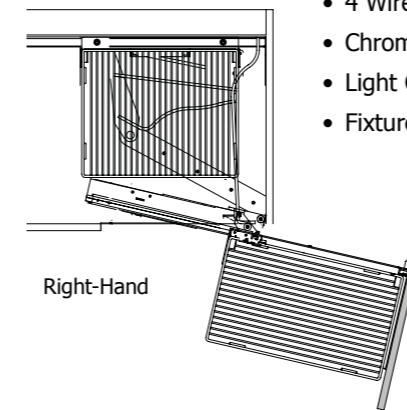
elite

Secret Corner

Pull-out corner mechanism, door mounted. 2 front baskets pulled completely outside the cabinet.

Key Features:

- Premium Soft Close mechanism
- 400mm and 450mm door width options
- 4 Wire baskets
- Chrome wirework
- Light Grey Frame
- Fixtures and fittings included



Width	Depth	Height	Hand	Item No.	UOM
400mm	489mm	568mm	Left	274147	1
400mm	489mm	568mm	Right	274146	1
450mm	489mm	568mm	Left	274149	1
450mm	489mm	568mm	Right	274148	1



Left-Hand

Elite Corner



A corner solution for a 900mm corner base unit, with 450mm cabinet door. The Elite corner has 2 baskets that are mounted to the door plus an additional 2 tier sliding basket module within the cabinet itself.

Key Features:

- Economical corner solution
- Product is reversible left=right
- Baskets included
- Chrome wirework
- Internal baskets pull-out

Width	Depth	Height	Item No.	UOM
400mm	486mm	635mm	263111	1

Corner Units

elite

Half Circle Carousel



Half circle carousel for a small corner solution. Kit consists of 2 half circle baskets with support bracket and shelf follower.

Key Features:

- 2 carousel baskets
- 25mm connecting post incl.
- Low cost corner solution
- Fast block fitting
- Chrome wirework

Width	Depth	Height	Item No.	UOM
400mm	370mm	645mm-790mm	262548	1
450/500mm	420mm	645mm-790mm	262549	1

Sliding Half Circle Carousel



Sliding half circle carousel for a small corner solution. Kit consists of 2 half circle baskets with support and connecting post.

Key Features:

- 2 carousel baskets
- 25mm connecting post incl.
- Low cost corner solution
- Fast block fitting
- Chrome wirework

Width	Depth	Height	Item No.	UOM
400mm	376mm	645mm-790mm	262550	1
450/500mm	420mm	645mm-790mm	262551	1

Three Quarter Carousel



3/4 circle carousel for a corner solution. Kit consists of 2 x 3/4 circle baskets with support bracket and connecting post.

Key Features:

- 2 carousel baskets
- 25mm connecting post incl.
- Fast block fitting
- Chrome wirework

Diam.	Depth	Height	Item No.	UOM
715mm	800mm	111mm	262552	1

Corner Units

elite

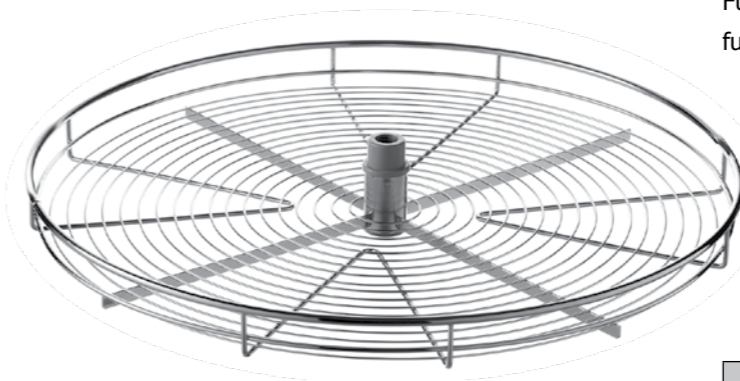


Full Circle Carousel

Full circle carousel for a corner solution. Kit consists of 2 full circle baskets with support bracket and connecting post.

Key Features:

- 2 carousel baskets
- 25mm connecting post incl.
- Fast block fitting
- Chrome wirework



Diam.	Depth	Height	Item No.	UOM
715mm	800mm	111mm	262553	1

Pull-Outs

elite

150mm Pull-Out



A two-tier 150mm pull-out unit with adjustable door brackets and fittings included.

Key Features:

- Soft close
- Full extension slides
- 2 baskets
- 40kg load capacity
- Chrome wirework
- Left and right handed

Width	Depth	Height	Hand	Item No.	UOM
150mm	473mm	510mm	Left	262554	1
150mm	473mm	510mm	Right	262555	1
150mm Pull-out Door mounting brackets			Left	262556	1

150mm Two Tier Pull-Out



Side mounted soft closing towel pull-out for a 150mm cabinet. Door mounted.

Key Features:

- Soft Close
- Full extension
- 2 tier towel holder
- Chrome Wirework
- Full adjustment on door
- Fixtures and fittings included

Width	Depth	Height	Hand	Item No.	UOM
150mm	475mm	575mm	Left	274155	1
150mm	475mm	575mm	Right	274154	1

Multi-Purpose Pull-Out

Multi-Purpose pull-out for a 300mm cabinet, equipped with chopping board, knife holder, cutlery holder, towel holder, translucent plastic tray and a plastic drip tray at the bottom. Door mounted.

Key Features:

- Soft Close
- Full Extension
- Chrome Wirework
- Comes with additional items as above
- Fixtures and fittings included

Width	Depth	Height	Hand	Item No.	UOM
300mm	466mm	555mm	Left	274171	1
300mm	466mm	555mm	Right	274170	1



Pull-Outs

elite

Bottle Organiser



A two-tier bottle organiser side mounted pull-out. With adjustable door brackets and fittings included.

Key Features:

- Soft close
- Side mounted
- Full extension
- 300mm and 400mm widths
- Chrome wirework

Diam.	Depth	Height	Item No.	UOM
300mm	470mm	520mm	262557	1
400mm	470mm	520mm	262558	1

Wide Drawer Basket

Wire basket solutions for internal drawer pull-outs.

Key Features:

- Soft closing
- Side mounted
- Full extension
- 400mm / 500mm / 600mm widths
- 120mm high
- Chrome wirework

Width	Depth	Height	Item No.	UOM
400mm	464mm	120mm	262559	1
500mm	464mm	120mm	262560	1
600mm	464mm	120mm	262561	1
Wire basket door mounting brackets			262562	1



Under Sink Drawer Pull-Out



Under sink wire basket solution for drawer pull-outs mounted to drawer front.

Key Features:

- Soft closing
- Side mounted
- Full extension
- 45kg load capacity
- Space for sink waste pipes passing behind basket

Width	Depth	Height	Item No.	UOM
1000mm	470mm	160mm	262563	1
1200mm	470mm	160mm	262564	1

Waste Recycling Pull-Outs



Waste Recycling System



Side mounted waste recycling system for 400mm base Cabinet. System includes wire container, plastic bins with handles and lids with full extension slides.

Key Features:

- Soft closing
- Full extension slides
- 2 x 20ltr plastic bins
- Side mounted
- Suitable for a 400mm base cabinet
- Chrome wirework
- Anti-odour filter

Width	Depth	Height	Item No.	UOM
400mm	472mm	522mm	262649	1

600mm Waste Bin with Wire Basket

Waste recycling bin for 600mm wide cabinet, bin also has a cleaning product organiser on the side of the bin basket frame. In addition there is also a full extension soft closing upper drawer basket included.

Key Features:

- 2 x 30 litre plastic bins
- 600mm Chrome Wire basket
- Cleaning product organiser
- Soft Close
- Full Extension Bin & Basket
- Fixtures and fittings included
- Chrome wirework
- Light Grey plastic bins

Diam.	Depth	Height	Item No.	UOM
600mm	487mm	650mm	274153	1



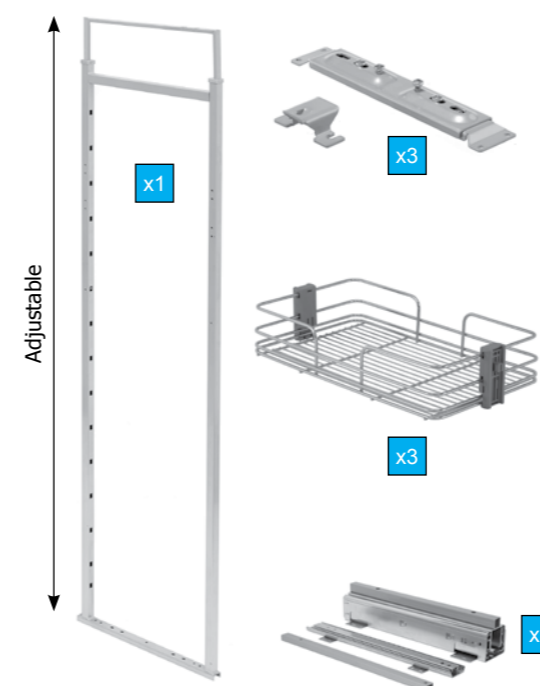
Eco

Eco Kitchen Storage



Larder Units

BASE HEIGHT Larder Unit - Adjustable frame 1100mm – 1400mm.



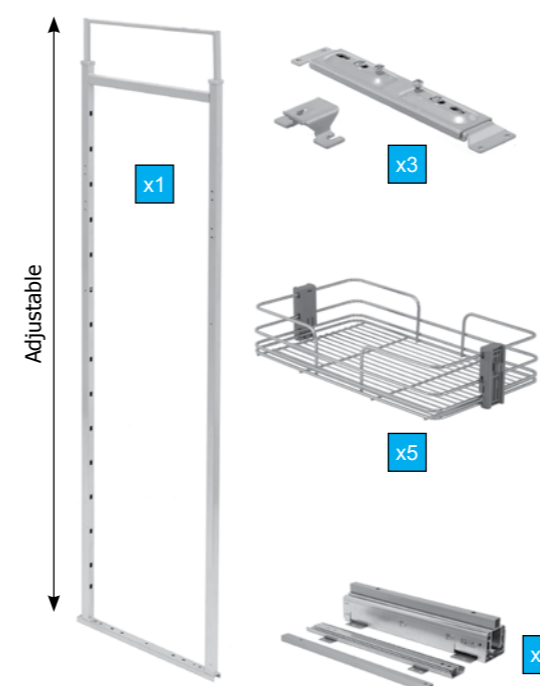
Larder kit consisting of multi-slide frame, door mounting brackets and mounting hardware. Fast application to the frame internal holes, basket with wire bottom, nylon clip-on fittings included.

Key Features:

- Soft closing slide
- Full extension slide
- 120kg load capacity
- Chrome wire accessories
- Grey framework and fittings

Width	Depth	Height	Item No.	UOM
400mm	485mm	1100mm-1400mm	262537	1
500mm	485mm	1100mm-1400mm	262735	1

FULL HEIGHT Larder Unit - Adjustable frame 1700mm – 2000mm.



Larder kit consisting of multi-slide frame, door mounting brackets and other mounting hardware. Fast application to the frame internal holes, basket with wire bottom, nylon clip-on fittings included.

Key Features:

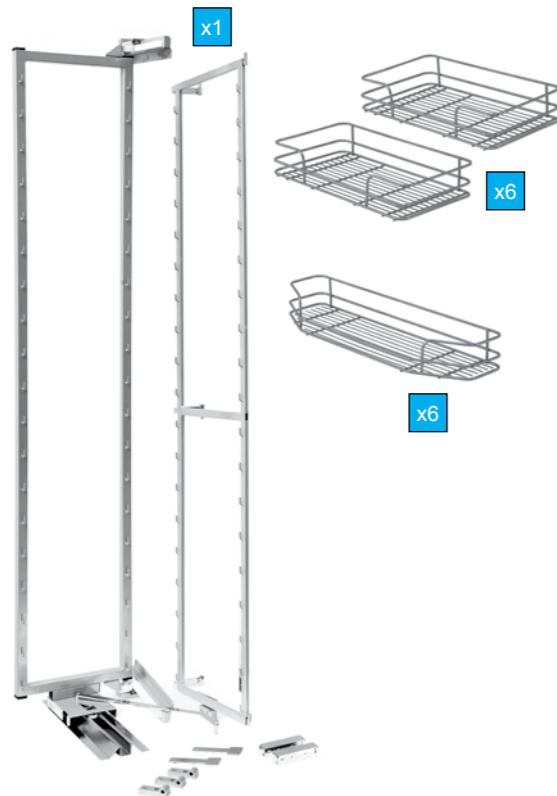
- Soft closing
- Full extension
- 120kg load capacity
- Chrome wirework
- Grey framework and fittings

Width	Depth	Height	Item No.	UOM
300mm	485mm	1700mm-2000mm	262538	1
400mm	485mm	1700mm-2000mm	262539	1
500mm	485mm	1700mm-2000mm	262540	1
600mm	485mm	1700mm-2000mm	262541	1

Swing-Out Pantry Unit



Swing Out Pantry



Swing-out American style pantry unit – 1700mm.
Pantry kit consisting of framework and baskets.

Key Features:

- 80kg load capacity
- Universal left or right hanging
- 1800mm door opening height
- Chrome wirework
- Grey framework and fittings

Width	Depth	Height	Item No.	UOM
450/500mm	485mm	1740mm	262542	1
600mm	485mm	1740mm	262543	1

Waste Recycling



Waste Recycling System

Side mounted waste recycling system for 400mm base Cabinet.

System includes wire container, plastic bins with handles and lids with ball bearing slides. Fittings included.

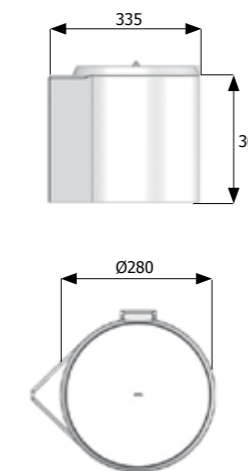
Key Features:

- Full extension ball bearing slide
- 2 x 16ltr plastic bins
- Suitable for a 400mm base cabinet
- Chrome wirework
- Grey epoxy containers and fittings



Width	Depth	Height	Item No.	UOM
400mm	463mm	387mm	262536	1

Built-In Waste Bin



New built in waste bin, mounted to cabinet side and the lid opens when door is opened, the door does not carry any weight.

Key Features:

- 13 litres
- Used on a hinged door only
- Bin lid opens automatically when door is opened
- Stainless steel body with a black lid

Width	Depth	Height	Item No.	UOM
400mm	463mm	387mm	262317	1

Corner Units



Secret Corner Mechanism

The Eco Secret corner mechanism is a door mounted soft close corner unit suitable for a 450mm door. Includes baskets and fittings.

Key Features:

- Soft Closing
- Door Mounted
- Includes 4 baskets
- 15kg load capacity front baskets
- 20kg load capacity back baskets
- Chrome wirework and light grey frame
- Fixtures and fittings included

Width	Depth	Height	Hand	Item No.	UOM
450mm	530mm	590mm-720mm	Left	274172	1
450mm	530mm	590mm-720mm	Right	274173	1



Easy Corner

A corner solution for a 900mm corner base unit, with 450mm cabinet door. The easy corner has a 2 basket frame mounted to the door plus an additional 2 tier sliding basket module within the cabinet itself. Brackets and fittings included.

Key Features:

- Economical corner solution
- Product is reversible left or right
- Baskets included
- Chrome wirework
- Grey epoxy frame and accessories
- Internal baskets are fixed

Width	Depth	Height	Item No.	UOM
400mm	473mm	678mm	262529	1
450/500mm	473mm	678mm	262530	1



Corner Units



Eco Moon

The eco moon is a soft closing corner solution for an 800mm base corner unit for 450mm door. Bracket and fittings included.

Key Features:

- Soft closing
- 20kg load capacity per basket
- 2 x times basket per eco moon
- Baskets operate independently
- Grey epoxy frame
- Chrome wirework
- White basket base

Width	Depth	Height	Hand	Item No.	UOM
450mm	530mm	560mm	Left	262327	1
450mm	530mm	560mm	Right	262328	1



Half Circle Carousel

Door mounted half circle carousel for a small corner solution. 2 half circle baskets, support bracket and shelf follower included.

Key Features:

- Door mounted
- Low cost corner solution
- Easy to fit
- Chrome wirework
- Grey epoxy accessories



Width	Depth	Height	Item No.	UOM
400mm	337mm	460mm	262531	1
450mm	387mm	460mm	262532	1

Independent Secret Corner Mechanism

A soft Closing Corner solution for a 700mm base corner unit with a 450mm door.

Key Features:

- Soft closing
- Baskets operate independently and can move entirely out of the cabinet
- 15kg load capacity
- Baskets can be installed in multiple positions (height)
- Chrome wirework
- Grey frame

Width	Depth	Height	Hand	Item No.	UOM
450mm	510mm	560mm	Left	262322	1
450mm	510mm	560mm	Right	262323	1



Pull-Outs



150mm Pull-Out

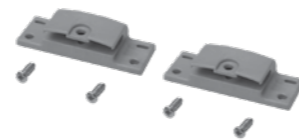


A two-tier 150mm pull-out unit with adjustable door brackets and fittings included.



Key Features:

- Soft close
- Single extension slides
- 30kg load capacity
- Chrome Wirework
- Grey epoxy fittings



Width	Depth	Height	Hand	Item No.	UOM
150mm	473mm	510mm	Left	262296	1
150mm	473mm	510mm	Right	262297	1

45° Pull-Out

Side mounted 185mm end unit 45° pull-out unit. Brackets and fittings included.



Key Features:

- Soft close
- Side mounted
- 45kg load capacity
- 3 baskets
- Chrome wirework
- Grey epoxy framework



Width	Depth	Height	Hand	Item No.	UOM
185mm	510mm	615mm	Left	262300	1
185mm	510mm	615mm	Right	262301	1



Pull-Outs



Bottle Organiser



A two-tier bottle organiser side mounted pull-out. With adjustable door brackets and fittings included.

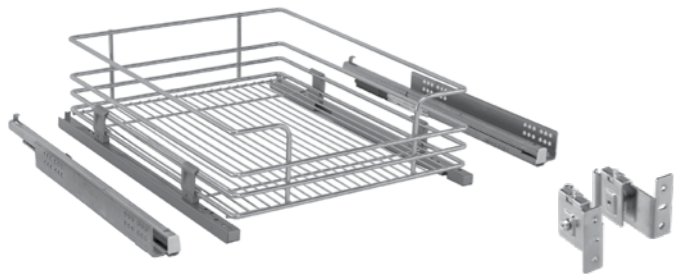


Key Features:

- Soft close
- Side mounted
- Single extension
- 300mm and 400mm wide
- Chrome wirework

Width	Depth	Height	Item No.	UOM
300mm	470mm	520mm	262527	1
400mm	470mm	520mm	262528	1

Wire Drawer Basket



Wire basket solutions for internal drawer pull-outs. Brackets and fittings included

Key Features:

- Soft closing
- Side mounted
- Single extension
- 500mm/600mm widths
- 120mm high
- Chrome wirework

Width	Depth	Height	Item No.	UOM
500mm	464mm	140mm	262533	1
600mm	464mm	140mm	262534	1



Pull-Outs



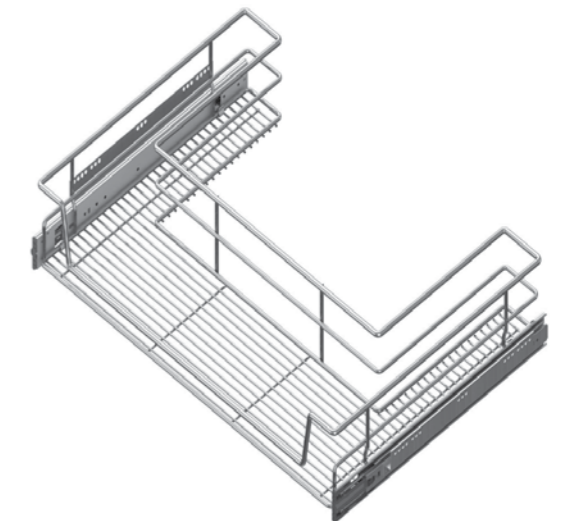
Under Sink Drawer Pull-Out

Under sink basket solution for drawer pull-outs mounted to drawer front.

Key Features:

- Soft closing
- Side mounted
- Full extension
- 45kg load capacity
- Space for sink waste pipes passing behind basket

Width	Depth	Height	Item No.	UOM
800mm	500mm	150mm	262293	1
900mm	500mm	150mm	262294	1



Cleaning



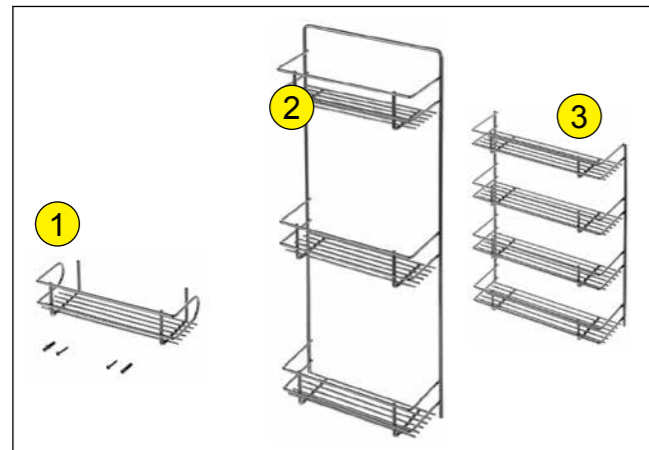
Tiered Accessory Units

Single tier, three tier or four tier accessory units.

Key Features:

- Mounted to cabinet side or door
- Chrome Wirework
- Fixtures and fittings included

Width	Depth	Height	Tiers	Item No.	UOM
260mm	101mm	80mm	1	274233	1
272mm	102mm	674mm	3	274174	1
320mm	105mm	438mm	4	274175	1

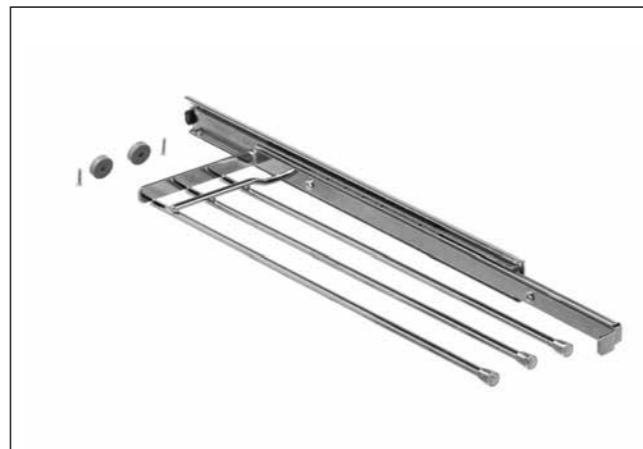


Pull-Out Towel Rail

Side Mounted towel rail pull-out, perfect space filler. All fittings included.

Key Features:

- Left & right
- Ball bearing slide
- Full Extension
- Chrome wirework
- Fixtures and fittings included



Width	Depth	Height	Item No.	UOM
130mm	480mm	40mm	274176	1

Cleaning



Multi-Purpose Hooks

Multi-purpose hooks, can be mounted to door or cabinet. Ideal for hanging either utensils or tea towels etc.

Key Features:

- 5 x hooks
- Chrome wirework
- Fixtures and fittings included

Width	Depth	Height	Item No.	UOM
352mm	55mm	28mm	274177	1



Duster and Dustpan Holder

Duster and dustpan tidy can be mounted to door or cabinet.

Key Features:

- Chrome wirework

Width	Depth	Height	Item No.	UOM
400mm	116mm	169mm	274234	1



Surface Protection Rods



Key Features:

- Worktop Protector for kitchens and hotels
- Self-adhesive – high heat resistance (kitchen)
- Pack of six pieces
- Stainless Steel style
- No need to rout your worktop

Length	Item No.	UOM
450mm	274969	1 set



EcoPlus

eco PLUS

EcoPlus Kitchen Storage



EcoPlus Waste Bins

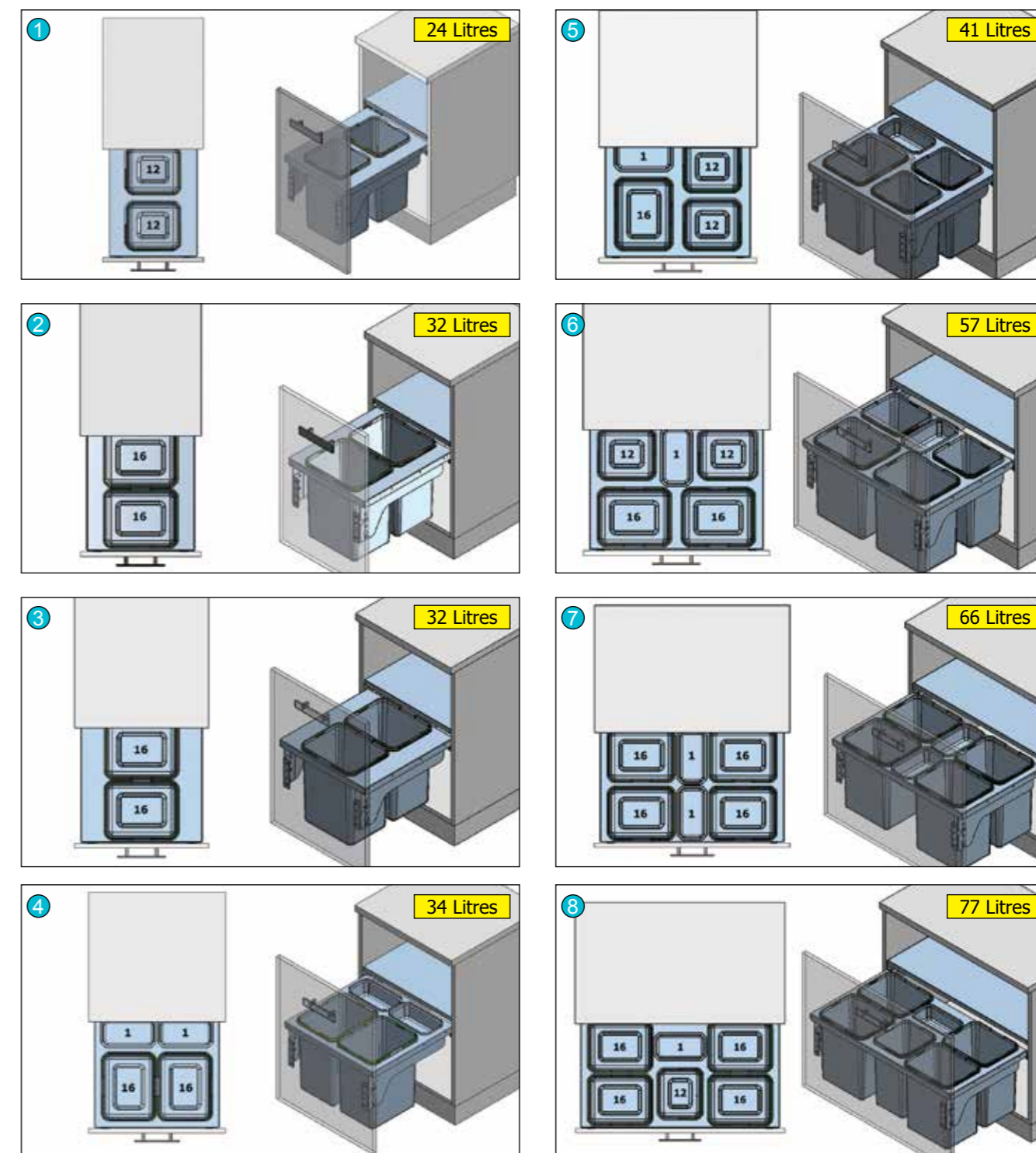
eco PLUS

The new waste bin management range covers all standard cabinet widths.

Key Features:

- Soft Close
- 75kg load capacity
- Full programme of bins to cover all widths
- 380mm mid height bins

	Width	Depth	Height	Capacity	Item No.	UOM
①	400mm	470mm	380mm	24 Litres	276962	1
②	450mm	470mm	380mm	32 Litres	276963	1
③	500mm	470mm	380mm	32 Litres	276964	1
④	550mm	470mm	380mm	34 Litres	276965	1
⑤	600mm	470mm	380mm	41 Litres	276966	1
⑥	700mm	470mm	380mm	57 Litres	280484	1
⑦	800mm	470mm	380mm	66 Litres	280485	1
⑧	900mm	470mm	380mm	77 Litres	280486	1



Pull-Out Baskets and Corner Solutions

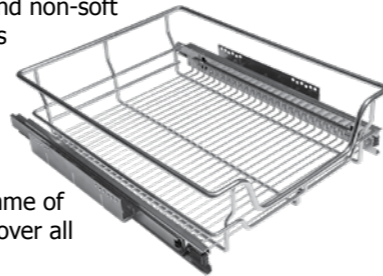
eco PLUS

EcoPlus Wire Baskets

Width	Depth	Height	Soft Close	Non-Soft Close	UOM
300mm	440mm	130mm	277737	277736	1
350mm	440mm	130mm	277739	277738	1
400mm	440mm	130mm	276248	276247	1
450mm	440mm	130mm	276250	276249	1
500mm	440mm	130mm	276253	276252	1
600mm	440mm	130mm	276255	276254	1
800mm	440mm	130mm	276257	276256	1
900mm	440mm	130mm	276259	276258	1

Key Features:

- Soft Close and non-soft close options
- High quality ball bearing slide and wirework
- Full programme of baskets to cover all widths



EcoPlus Drawer Pull-Out



Key Features:

- Soft close with under-mount slide
- White base board, elliptical chrome finish

Width	Depth	Height	Item No.	UOM
600mm	490mm	130mm	285366	1
800mm	490mm	130mm	285371	1
900mm	490mm	130mm	285373	1

EcoPlus Carousel



Key Features:

- Easily fitted and with adjustable height for baskets
- Hi quality round wire finish

Width	Depth	Height	Item No.	UOM
900mm	900mm	684mm	279824	1

EcoPlus Secret Corner



Key Features:

- Soft closing
- White base board, elliptical chrome finish

Width	Depth	Height	Hand	Item No.	UOM
400/450mm	530mm	527mm	Left	279828	1
400/450mm	530mm	527mm	Right	279827	1

EcoPlus Moon



Key Features:

- Soft closing, assisted opening
- White base board, elliptical chrome finish

Width	Depth	Height	Hand	Item No.	UOM
450mm	500mm	684mm	Left	279826	1
450mm	500mm	684mm	Right	279825	1

Larder Units

eco PLUS

EcoPlus Larder Unit - Soft Close



Key Features:

- Soft Close, 120kg load capacity
- Solid white base
- 6 Baskets
- Elliptical chrome finish

Width	Depth	Height	Item No.	UOM
150mm	490mm	1770-2070mm	285358	1
300mm	490mm	1770-2070mm	285357	1
400mm	490mm	1770-2070mm	285359	1
150mm	490mm	1970-2270mm	285352	1
300mm	490mm	1970-2270mm	279830	1
400mm	490mm	1970-2270mm	279829	1



EcoPlus Larder Unit - Non Soft Close



Key Features:

- 120Kg load capacity, wire baskets
- 5 Baskets, Non soft close

Width	Depth	Height	Item No.	UOM
300mm	480mm	1800-2000mm	275137	1
400mm	480mm	1800-2000mm	275138	1

Swing-Out Pantry



Key Features:

- Elliptical chrome finish, solid white base
- 6 Baskets on the back of the door
- 6 Internal baskets, solid white

Width	Depth	Height	Item No.	UOM
450/500mm	500mm	1820mm	285297	1
600mm	500mm	1820mm	285298	1

Drawer Inserts - ArciTech Orga Tray 570 Plastic Tray

elite

Orga Tray 450mm Depth



Width	Depth	Height	Silver	Anthracite	White	Champagne	UOM
300mm	450mm	55mm	284623	282577	285390	285411	1
400mm	450mm	55mm	285382	282579	285391	285412	1
450mm	450mm	55mm	285383	282580	285392	285413	1
500mm	450mm	55mm	285385	282581	285393	285414	1
550mm	450mm	55mm	285386	282582	285396	285415	1
600mm	450mm	55mm	285387	282583	285397	285416	1
800mm	450mm	55mm	284621	282584	285398	285417	1
900mm	450mm	55mm	285388	282585	285399	285419	1
1000mm	450mm	55mm	285389	282586	285400	285418	1



Drawer Inserts - ArciTech Orga Tray 420 Plastic Tray

elite

Orga Tray 450mm Depth

Width	Depth	Height	Silver	Anthracite	White	UOM
300mm	450mm	55mm	283151	282502	285401	1
400mm	450mm	55mm	283152	282501	285402	1
450mm	450mm	55mm	283153	282500	285403	1
500mm	450mm	55mm	283154	281789	285404	1
550mm	450mm	55mm	283158	281790	285405	1
600mm	450mm	55mm	283160	279913	285406	1
800mm	450mm	55mm	283162	280141	285407	1
900mm	450mm	55mm	283163	279914	284551	1
1000mm	450mm	55mm	283164	282504	285408	1



Drawer Inserts - ArciTech Orga Tray 600 Steel Tray

elite

Orga Tray 450mm Depth

Width	Depth	Height	Silver	Anthracite	White	Champagne	UOM
300mm	450mm	55mm	285453	285450	285457	285463	1
400mm	450mm	55mm	285454	285451	285458	285464	1
450mm	450mm	55mm	285455	285452	285459	285465	1
*500-1200mm	450mm	55mm	285456	281080	285460	285466	1

Note:

- * For drawer widths 500mm to 800mm, 1 tray is required.
- * For drawer widths 800mm to 1200mm, 2 trays are required.



ArciTech

Drawer Inserts - Atira Orga Tray 590 Plastic Tray

elite

Orga Tray 470mm Depth



Width	Depth	Height	Silver	Anthracite	White	UOM
300mm	470mm	55mm	280751	285429	285420	1
400mm	470mm	55mm	280752	285430	285421	1
450mm	470mm	55mm	280753	285431	284538	1
500mm	470mm	55mm	280754	285432	285422	1
550mm	470mm	55mm	280755	285433	285423	1
600mm	470mm	55mm	280733	285434	285424	1
800mm	470mm	55mm	280734	285435	285426	1
900mm	470mm	55mm	280749	285438	285427	1
1000mm	470mm	55mm	280750	285440	285428	1

Drawer Inserts - Atira Orga Tray 610 Steel Tray

elite

Key Features:

- Pre-mounted steel cutlery tray
- Suitable for any carcass width over 450mm
- Two can be fitted in carcass widths of 900mm and over
- Anti-slip mat must be ordered separately (see page 88)



Width	Depth	Height	Silver	Anthracite	White	UOM
*450mm-1200mm	470mm	59mm	280609	285442	285441	1

Note:

- * For drawer widths 450mm to 899mm, 1 tray is required.
- * For drawer widths 900mm to 1200mm, 2 trays are required.



KITCHEN STORAGE

Atira

Drawer Inserts



Plastic Cutlery Trays



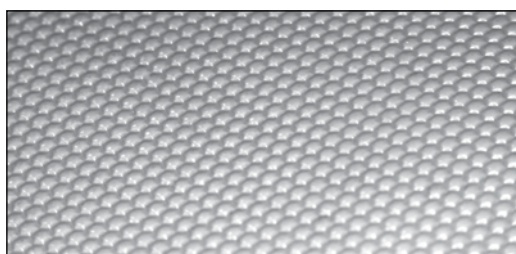
Star Box Trays suitable for Star Box drawers

Width	Depth	Height	Colour	Item No.	UOM
300mm	450mm	45mm	Dark Grey	279447	1
400mm	450mm	45mm	Dark Grey	277411	1
450mm	450mm	45mm	Dark Grey	277412	1
500mm	450mm	45mm	Dark Grey	277413	1
600mm	450mm	45mm	Dark Grey	277414	1
800mm	450mm	45mm	Dark Grey	277415	1
900mm	450mm	45mm	Dark Grey	277416	1

KU BOX Trays suitable for Ku Box drawers

Width	Depth	Height	Colour	Item No.	UOM
300mm	450mm	45mm	Dark Grey	279448	1
400mm	450mm	45mm	Dark Grey	278148	1
450mm	450mm	45mm	Dark Grey	278149	1
500mm	450mm	45mm	Dark Grey	278150	1
600mm	450mm	45mm	Dark Grey	278151	1
800mm	450mm	45mm	Dark Grey	278152	1
900mm	450mm	45mm	Dark Grey	278153	1

Anti-Slip Mat



Description	Item No.	UOM
1m x 1.1m x 30m roll	110880	1

Tambour Doors - Metallic Line Cassette Door Systems



Please note tambour doors are not supplied with a carcass.

Metallic line cassette



The sleek metallic surface finish gives kitchens a high quality, exclusive look paired with the benefits of quiet smooth running tracks.

Available with 25mm slats with matching slam rails, running track and pelmet. Our metallic line cassette is a viable alternative in any modern kitchen.

Tambour Door Systems are made to measure. For a quotation, please contact us with your cabinet requirements.

PVC finish

For a more cost effective option we can offer cassette tambours in a PVC finish; these are all made to measure so contact our sales office for prices.



Available colours: Ribbed Silver, Cream, Light Grey, Black, Graphite, White, Medium Oak, Beech and Maple.

HINGES AND LIFT SYSTEMS



HINGES AND LIFT SYSTEMS

TABLE OF CONTENTS

Contents:

Elite - Hettich Sensys	92
Elite - Hettich Sensys obsidian black	104
Elite - Hettich plates and accessories	110
Elite - Push open options	112
Eco - Hinges and accessories	114
Additional hinges	120
Eco - T-Series lifts and stays	126

Sensys

elite

Silent, self-closing hinge.

Silent system speaks volumes

Sensys, the hinge technology with integrated Silent System for even more convenience when closing hinged doors. With its uniquely wide automatic closing angle, Sensys closes the door almost on its own. Innovative, smooth, gentle, quiet. Convenience boost in award winning design from Hettich.

HINGE SYSTEMS

Sensys



Perfect damping, perfect design: Sensys

Now there's a hinge where form and function are a perfect match: Sensys. Doors close silently, moved gently by an invisible force. With this exclusive self-closing function, plus integrated damping, Sensys delivers a luxury closing experience. Innovation at its best: award-winning design plus perfect functionality means Hettich can offer the perfect hinge with a full range of applications and plate options.

High-quality Silent System soft-closing system invisibly integrated in the hinge arm

+3 / -2mm depth adjustment for millimetre-precision door alignment by direct adjustment

Mounting plate compatible with the Intermat range of hinges

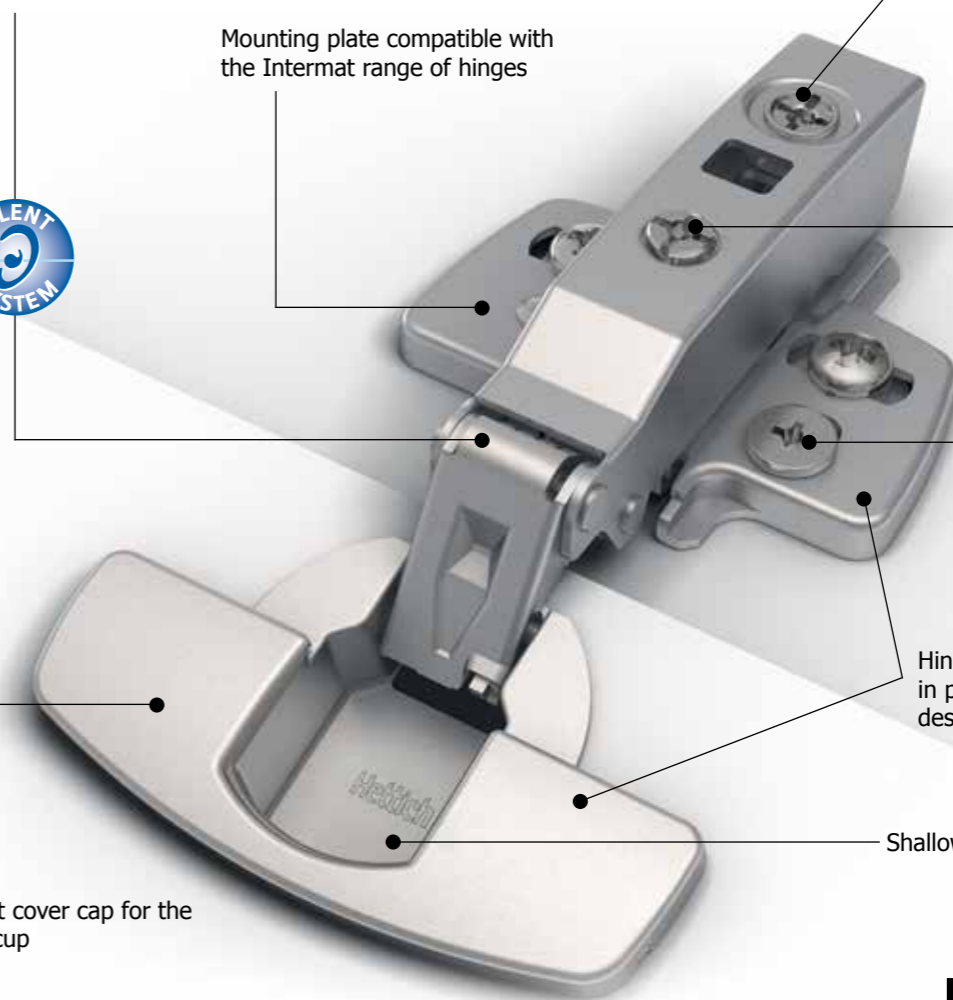
Integrated overlay adjustment + 2mm with stop limitation for perfect gap alignment

+ 2mm height adjustment by eccentric cam saves a huge amount of time

Hinge and mounting plate in perfectly matching design

Shallow cup depth: 12.8mm

Elegant cover cap for the hinge cup



Currently the only hinge technology available where all hinge options are available as soft-close

- Integrated damping element
- Silence, design and motion
- Door closes automatically from 35°

Easy to fit

- Sensys is easy to fit and easy to adjust

Clean and elegant looking

- Sensys has an elegant and contemporary look with simple and harmonious lines
- Meets all customer expectations for outstanding design and quality

The Sensys hinge family includes products for all popular door mounting options.





Sensys 110° Clip On - Soft Close, Non Soft Close, Push On

elite

- Concealed hinge with clip on installation with optional integrated Silent System
- Quality classification under EN 15570, Level 3
- For door thickness 15 - 24mm
- Cup diameter 35mm
- Cup depth 12.8mm
- Integrated +/- 2mm overlay adjustment
- Integrated depth adjustment + 3mm / - 2mm
- Height adjustment at mounting plate
- Hinge arm & cup material: nickel plated steel



FULL OVERLAY 0mm

Type	Description	Item No.	UOM
Soft Close	No Screw	277988	1
Non Soft Close	No Screw	278462	1
Push Open	No Screw	277998	1

HALF OVERLAY 9mm

Type	Description	Item No.	UOM
Soft Close	No Screw	277990	1
Non Soft Close	No Screw	278463	1
Push Open	No Screw	284034	1

INSET 18mm

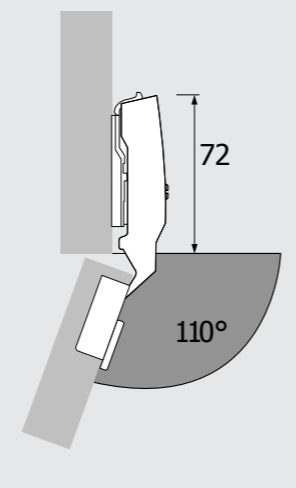
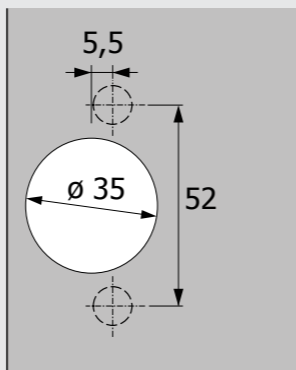
Type	Description	Item No.	UOM
Soft Close	No Screw	278218	1
Non Soft Close	No Screw	278464	1
Push Open	No Screw	284035	1

HINGE PLATE OPTIONS - See page 110 for more information

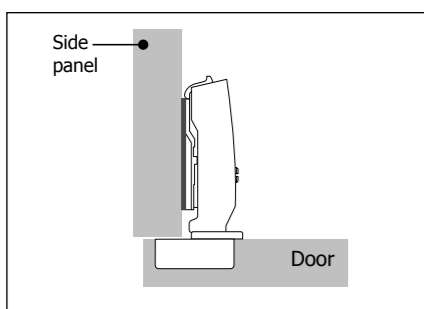


and more...

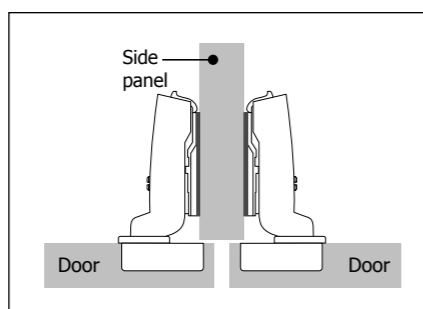
DRILLING PATTERN



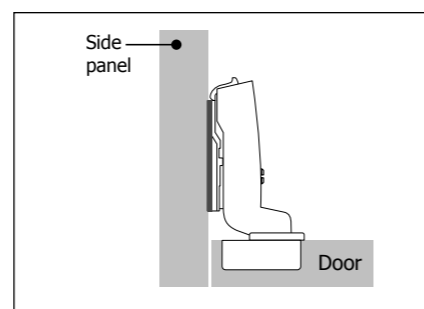
FULL OVERLAY



HALF OVERLAY



INSET



Sensys 165° Clip On - Soft Close, Non Soft Close, Push On

elite

- Concealed hinge with clip on installation with optional integrated Silent System
- Quality classification under EN 15570, Level 3
- For door thickness 15 - 32mm
- Cup diameter 35mm / Cup depth 11.6mm
- Integrated +/- 2mm overlay adjustment
- Integrated depth adjustment + 3mm / - 2mm
- Height adjustment at mounting plate
- Opening angle can be reduced with accessories
- Zero protrusion hinge
- Hinge arm & cup material: nickel plated steel



FULL OVERLAY 0mm

Type	Description	Item No.	UOM
Soft Close	No Screw	277989	1
Non Soft Close	No Screw	277997	1
Push Open	No Screw	277999	1

HALF OVERLAY 9mm

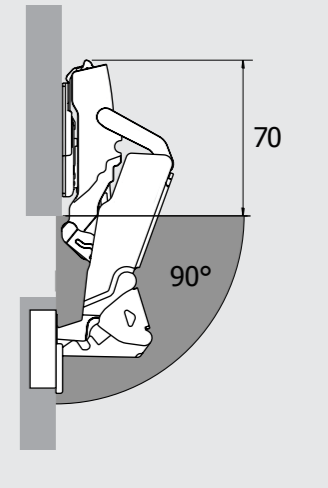
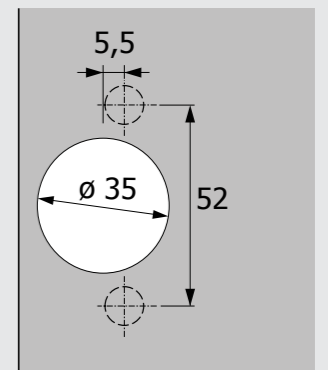
Type	Description	Item No.	UOM
Soft Close	No Screw	277991	1
Non Soft Close	No Screw	278246	1
Push Open	No Screw	284036	1

HINGE PLATE OPTIONS - See page 110 for more information

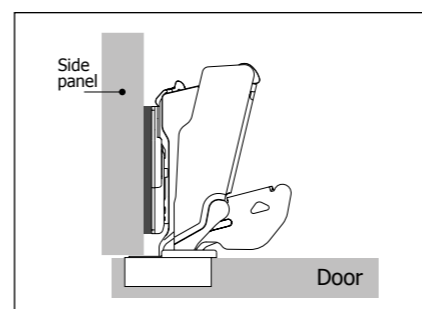


and more...

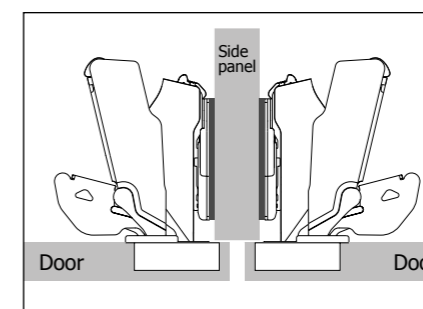
DRILLING PATTERN



FULL OVERLAY



HALF OVERLAY



Hinge Cover Options
See page 113





Sensys 95° Clip On Thick Door Hinge

elite

- Concealed hinge with clip on installation with optional integrated Silent System
- Quality classification under EN 15570, Level 3
- For corner cabinets
- For door thickness 15 - 32mm
- Cup diameter 35mm
- Cup depth 12.8mm
- Integrated door offset adjustment +1mm / -2mm
- Integrated reveal adjustment +3mm / -2mm
- Height adjustment at mounting plate
- Hinge arm & cup material: nickel plated steel



FULL OVERLAY **0mm**

Type	Description	Item No.	UOM
Soft Close	No Screw	278249	1
Non Soft Close	No Screw	278250	1
Push Open	No Screw	284046	1

HALF OVERLAY **9mm**

Type	Description	Item No.	UOM
Soft Close	No Screw	284044	1
Non Soft Close	No Screw	280963	1
Push Open	No Screw	284047	1

INSET **18mm**

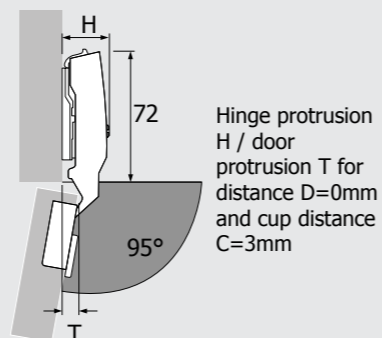
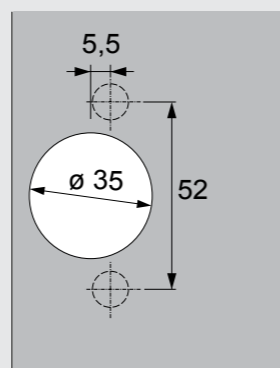
Type	Description	Item No.	UOM
Soft Close	No Screw	280516	1
Non Soft Close	No Screw	284045	1
Push Open	No Screw	284048	1

HINGE PLATE OPTIONS - See page 110 for more information



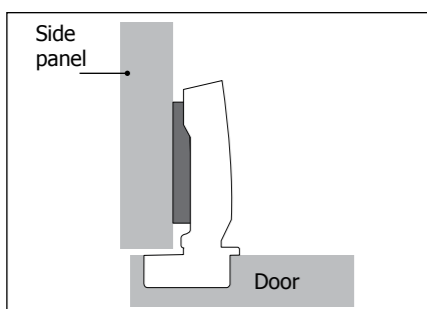
and more...

DRILLING PATTERN

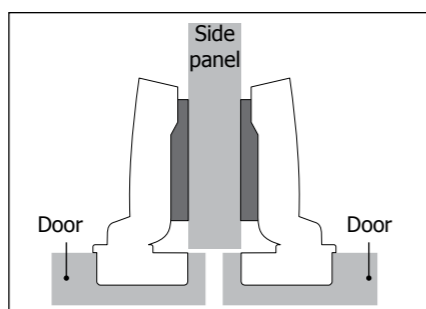


	H mm	T mm
Full Overlay	19.5	7.5
Half Overlay	29.0	17.0
Inset	35.5	23.5

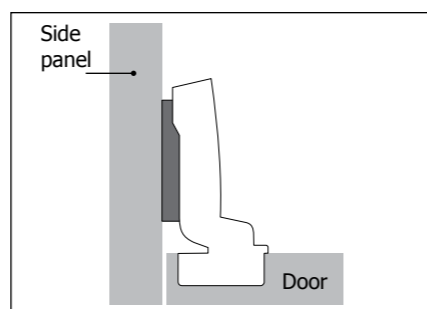
FULL OVERLAY



HALF OVERLAY



INSET



Thin Door 110° Clip On Hinge

elite

- Concealed hinge with clip on installation and optional integrated Silent System
- For door thickness of 10 – 16 mm
- Cup diameter 35 mm, Cup depth 7.8 mm
- Integrated overlay adjustment + 2 mm / - 2 mm
- Integrated depth adjustment + 3 mm / - 2 mm
- Height adjustment at mounting plate
- Hinge arm material: steel, nickel plated
- Hinge cup material: steel, nickel plated



FULL OVERLAY **0mm**

Type	Description	Item No.	UOM
Soft Close	No Screw	280308	1
Non Soft Close	No Screw	284000	1
Push Open	No Screw	284027	1

HALF OVERLAY **9mm**

Type	Description	Item No.	UOM
Soft Close	No Screw	283998	1
Non Soft Close	No Screw	284002	1
Push Open	No Screw	282862	1

INSET **18mm**

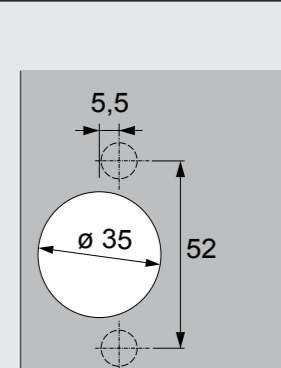
Type	Description	Item No.	UOM
Soft Close	No Screw	283999	1
Non Soft Close	No Screw	284001	1
Push Open	No Screw	281342	1

HINGE PLATE OPTIONS - See page 110 for more information

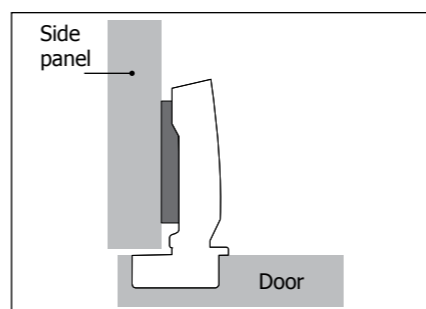


and more...

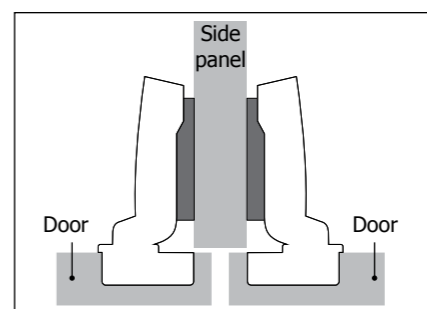
DRILLING PATTERN



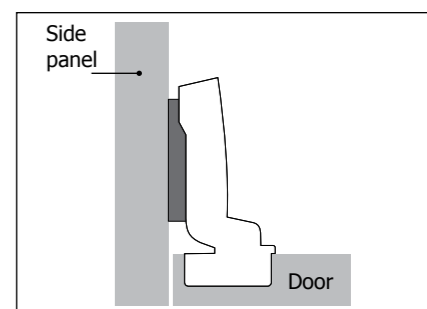
FULL OVERLAY



HALF OVERLAY



INSET





Sensys 90° Clip On - Soft Close & Non Soft Close Hinges

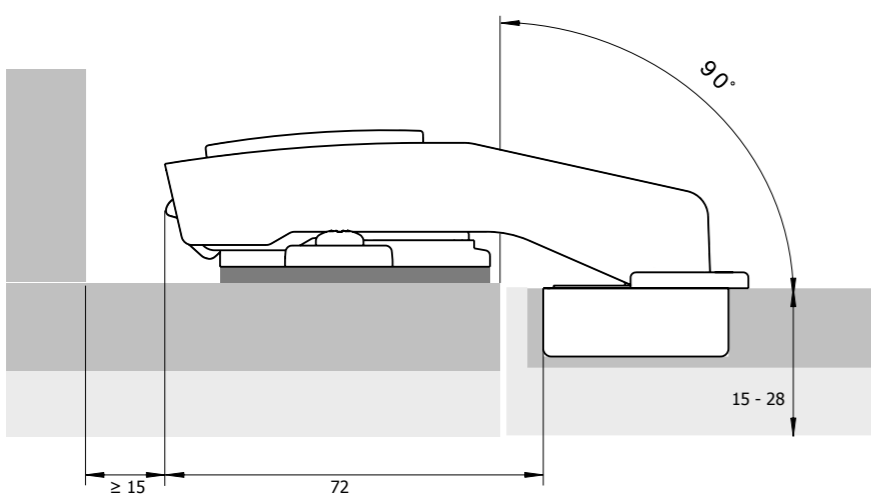
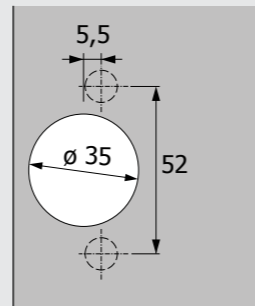
elite

- Concealed hinge with clip on installation with optional integrated Silent System
- Quality classification under EN 15570, Level 3
- For corner cabinets
- For door thickness 15 - 28mm
- Cup diameter 35mm
- Cup depth 12.8mm
- Integrated door offset adjustment +1mm / -2mm
- Integrated reveal adjustment +3mm / -2mm
- Height adjustment at mounting plate
- Hinge arm & cup material: nickel plated steel



INSET		18mm	
Type	Description	Item No.	UOM
Soft Close	No Screw	277992	1
Non Soft Close	No Screw	278248	1

DRILLING PATTERN

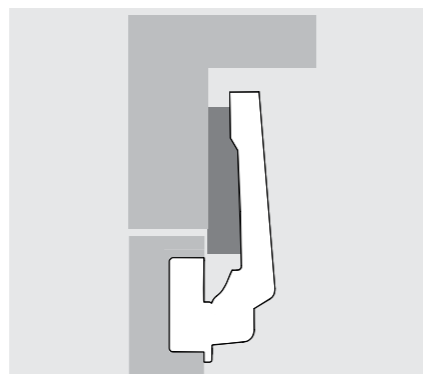


HINGE PLATE OPTIONS - See page 110 for more information



and more...

Hinge Cover Options
See page 113



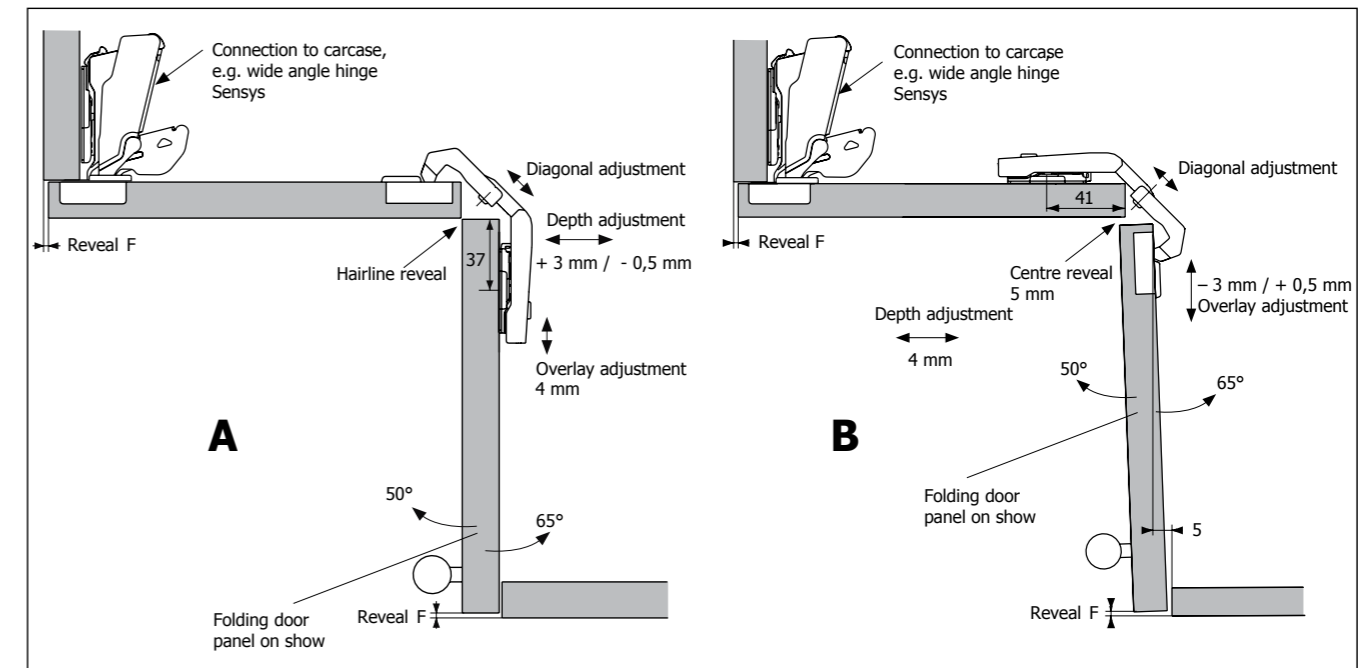
160° Folding Door Hinge

elite

- Concealed hinge with clip on installation
- Quality classification under EN 15570, Level 2
- Cup diameter 35mm, Cup depth 12.8mm
- Diagonal adjustment + 9.5mm / - 9.5mm
- Integrated overlay adjustment, see diagram
- For integrated height adjustment, see diagram
- Height adjustment at mounting plate
- Hinge arm material: zinc die-cast nickel plated
- Hinge cup material: steel, nickel plated

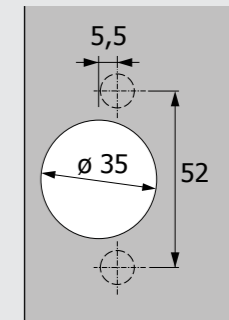


ASSEMBLY

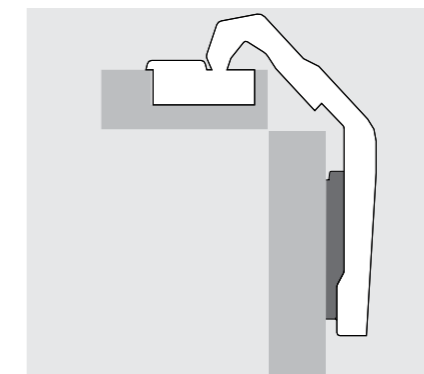


FULL OVERLAY		0mm	
Type	Description	Item No.	UOM
Non Soft Close	No Screw	277993	1

DRILLING PATTERN



Hinge Cover Options
See page 113





Sensys 30° Clip On - Soft Close, Non Soft Close, Push On

elite

- Concealed hinge with clip on installation with optional integrated Silent System
- Quality classification under EN 15570, Level 3
- For diagonal base units, carcass angle 120°
- For door thickness 15 - 28 mm
- Cup diameter 35 mm, Cup depth 12.8 mm
- Integrated overlay adjustment + 2 mm / - 2 mm
- Integrated depth adjustment + 3 mm / - 2 mm
- Height adjustment at mounting plate
- Hinge arm material: zinc die-cast nickel plated
- Hinge cup material: steel nickel plated



FULL OVERLAY

B = -2mm

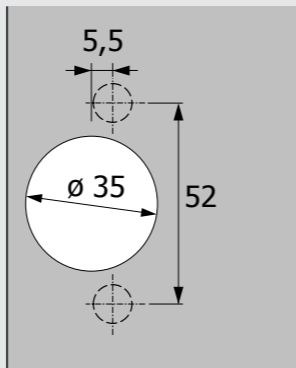
Type	Description	Item No.	UOM
Soft Close	No Screw	283696	1
Non Soft Close	No Screw	283984	1
Push Open	No Screw	283985	1

INSET

B = -16mm

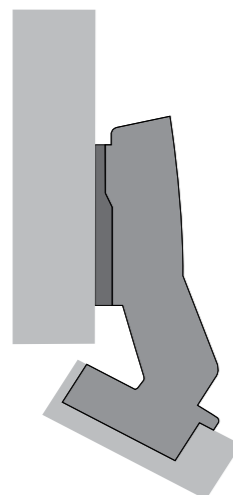
Type	Description	Item No.	UOM
Soft Close	No Screw	283982	1
Non Soft Close	No Screw	283983	1
Push Open	No Screw	283986	1

DRILLING PATTERN



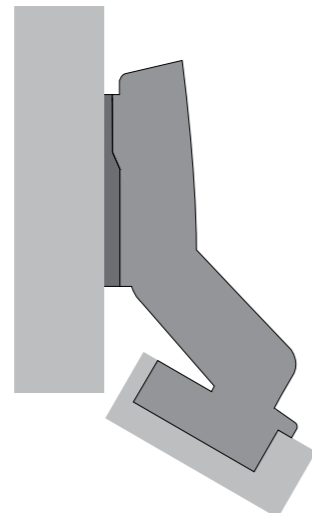
FULL OVERLAY

B = -2mm



INSET

B = -16mm



HINGE PLATE OPTIONS



and more...

See **page 110** for more information



Sensys 45° Clip On - Soft Close, Non Soft Close, Push On

elite

- Concealed hinge with clip on installation with optional integrated Silent System
- Quality classification under EN 15570, Level 3
- For diagonal base units, carcass angle 135°
- For door thickness 15 - 28 mm
- Cup diameter 35 mm, Cup depth 12.8 mm
- Integrated overlay adjustment + 2 mm / - 2 mm
- Integrated depth adjustment + 3 mm / - 2 mm
- Height adjustment at mounting plate
- Hinge arm material: zinc die-cast nickel plated
- Hinge cup material: steel nickel plated



FULL OVERLAY

B = 9mm

Type	Description	Item No.	UOM
Soft Close	No Screw	281305	1
Non Soft Close	No Screw	283994	1
Push Open	No Screw	283995	1

HALF OVERLAY

B = -2mm

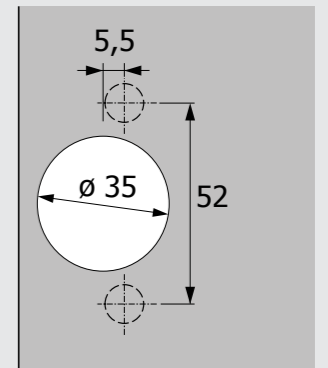
Type	Description	Item No.	UOM
Soft Close	No Screw	283895	1
Non Soft Close	No Screw	283992	1
Push Open	No Screw	283852	1

INSET

B = -25mm

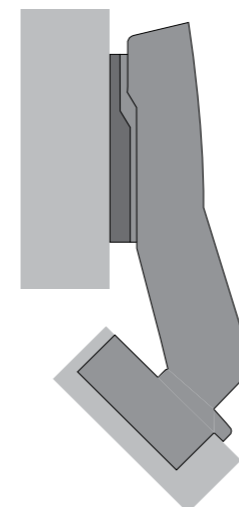
Type	Description	Item No.	UOM
Soft Close	No Screw	283989	1
Non Soft Close	No Screw	283990	1
Push Open	No Screw	281023	1

DRILLING PATTERN



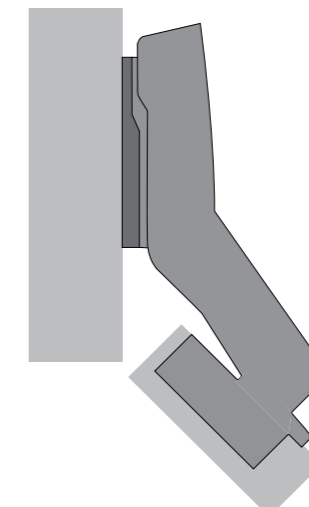
FULL OVERLAY

B = 9mm



INSET

B = -25mm



HINGE PLATE OPTIONS



and more...

See **page 110** for more information



Intermat 110° Clip On Hinge

elite

- Concealed hinge with clip on assembly
- Quality classification under EN 15570, Level 3
- For door thickness 15 - 25mm
- Cup diameter 35mm
- Cup depth 11.6mm
- Integrated +/- 2mm overlay adjustment
- Integrated depth adjustment +2.5mm / -1.5mm
- Height adjustment at mounting plate
- Hinge arm & cup material: nickel plated steel



FULL OVERLAY

0mm

Type	Description	Item No.	UOM
Non Soft Close	No Screw	277994	1

HALF OVERLAY

9mm

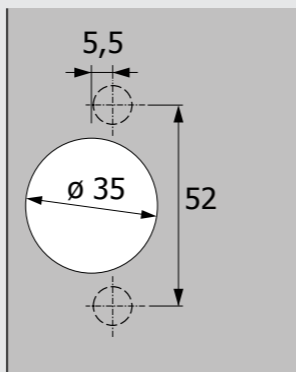
Type	Description	Item No.	UOM
Non Soft Close	No Screw	277995	1

INSET

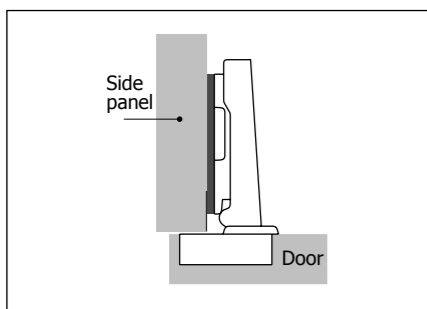
18mm

Type	Description	Item No.	UOM
Non Soft Close	No Screw	277996	1

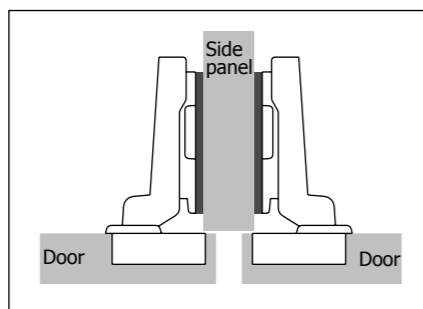
DRILLING PATTERN



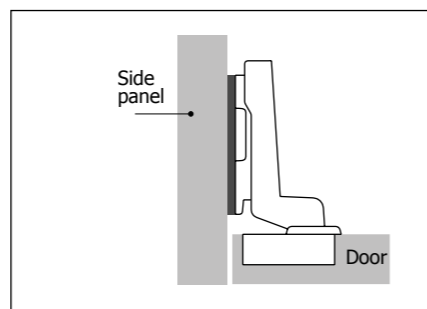
FULL OVERLAY



HALF OVERLAY



INSET



Hinge Cover Options
See page 113



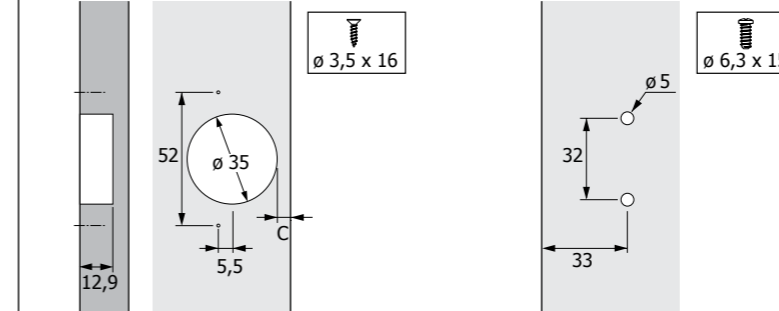
95° Refrigerator Hinge

elite

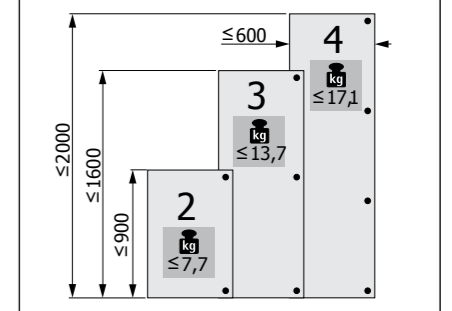
- Special hinge with short hinge protrusion for refrigerator surrounds
- Cup diameter 35mm, Cup depth 12.8mm
- With stay close function
- Including mounting plate and distance plate (distance 3mm) for overlays of 13-18mm
- Integrated +1mm / -1mm overlay adjustment
Integrated depth adjustment +3mm / -3mm
- Hinge arm material: steel, nickel plated
- Cup hinge material: zinc die-cast nickel plated.
Distance plate material: White plastic



DRILLING HOLE DISTANCES



NOTE



FULL OVERLAY

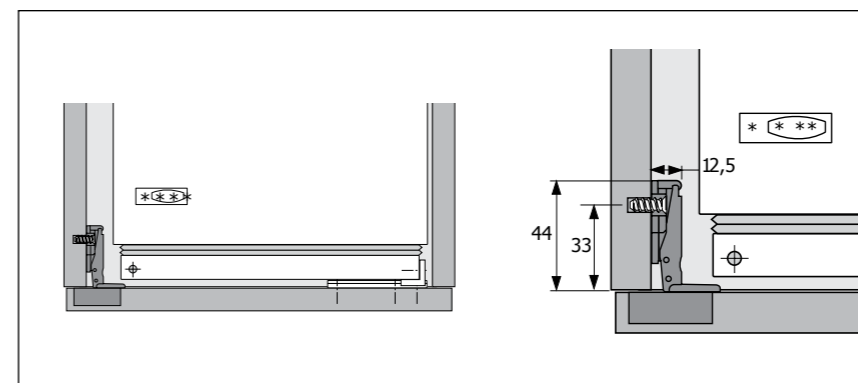
0mm

Type	Description	Item No.	UOM
Non Soft Close	No Screw	278184	1

NOTE

A door-on-door slider fitting can be used for connecting the furniture door to the refrigerator door.

MOUNTING EXAMPLE



Mounting plate with plastic distance plate = 3mm distance		Mounting plate without plastic distance plate = 0mm distance	
Dimension C mm	Overlay mm	Dimension C mm	Overlay mm
3.0	13.0	3.0	16.0
3.5	13.5	3.5	16.5
4.0	14.0	4.0	17.0
4.5	14.5	4.5	17.5
5.0	15.0	5.0	18.0





Sensys 110° Clip On - Soft Close, Non Soft Close, Push On

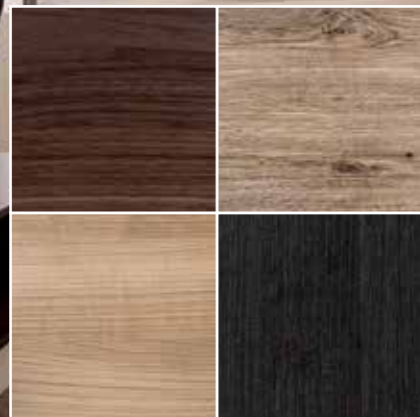
elite

- Concealed hinge with clip on installation with optional integrated Silent System
- Quality classification under EN 15570, Level 3
- For door thickness 15 - 24mm
- Cup diameter 35mm
- Cup depth 12.8mm
- Integrated +/- 2mm overlay adjustment
- Integrated depth adjustment + 3mm / - 2mm
- Height adjustment at mounting plate
- All visible parts in obsidian black



Sensys: obsidian Black

The elegant Sensys hinge in obsidian black complements the design of dark furniture with absolute perfection.



Conspicuously inconspicuous: Sensys in obsidian black

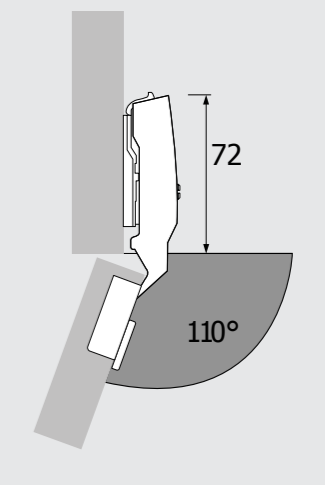
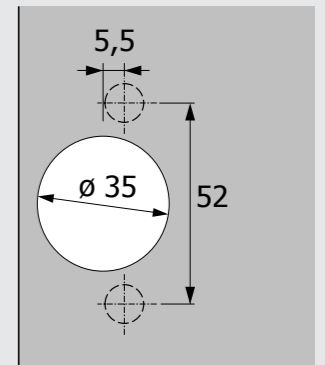


Hettich applies the principle of nature to furniture design: with perfectly performing fitting systems that blend discreetly and harmoniously into the design of furniture. The perfectly camouflaged fitting technology is now available for dark timbers and surfaces finished in warm tones.

The Sensys range in obsidian black features hinges and mounting plates for all common mounting situations and also for unusual applications, such as for thin doors from 10 mm door thickness, for thick doors with narrow reveals as well as for doors with mitred edges all round.



DRILLING PATTERN



FULL OVERLAY 0mm

Type	Description	Item No.	UOM
Soft Close	No Screw	281546	1
Non Soft Close	No Screw	284039	1

HALF OVERLAY 9mm

Type	Description	Item No.	UOM
Soft Close	No Screw	284037	1
Non Soft Close	No Screw	284040	1

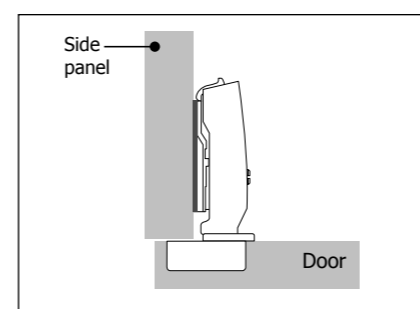
INSET 18mm

Type	Description	Item No.	UOM
Soft Close	No Screw	284038	1
Non Soft Close	No Screw	284041	1

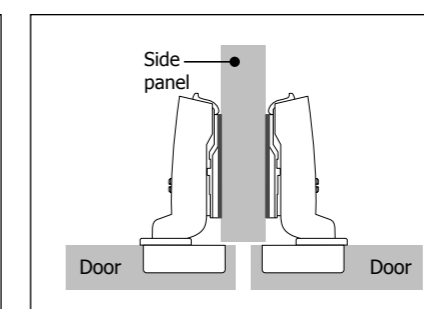
HINGE PLATE OPTIONS - See page 111 for more information



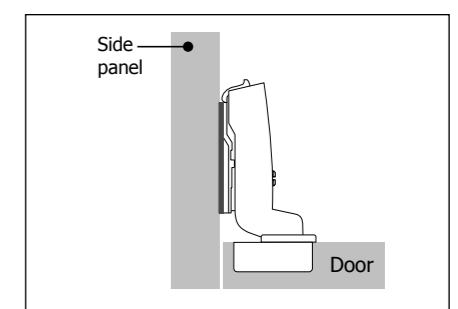
FULL OVERLAY



HALF OVERLAY



INSET





Sensys 165° Clip On - Soft Close, Non Soft Close, Push On

elite

- Concealed hinge with clip on installation with optional integrated Silent System
- Quality classification under EN 15570, Level 3
- For door thickness 15 - 32mm
- Cup diameter 35mm / Cup depth 11.6mm
- Integrated +/- 2mm overlay adjustment
- Integrated depth adjustment + 3mm / - 2mm
- Height adjustment at mounting plate
- Opening angle can be reduced with accessories
- Zero protrusion hinge
- All visible parts in obsidian black



FULL OVERLAY **0mm**

Type	Description	Item No.	UOM
Soft Close	No Screw	284050	1
Non Soft Close / Push-On	No Screw	284052	1

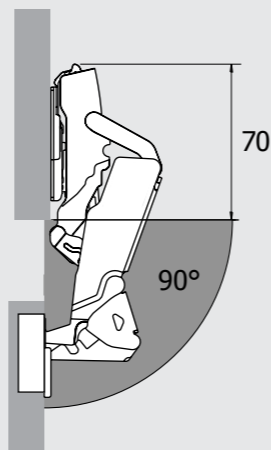
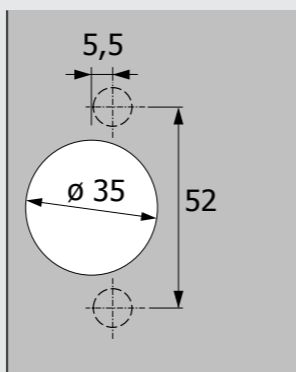
HALF OVERLAY **9mm**

Type	Description	Item No.	UOM
Soft Close	No Screw	284051	1
Non Soft Close / Push-On	No Screw	284053	1

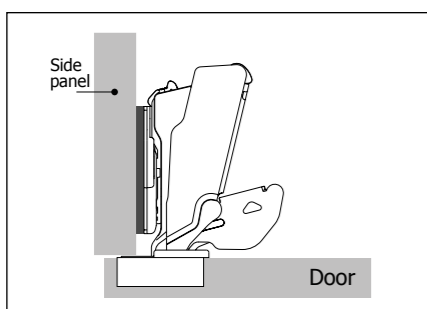
HINGE PLATE OPTIONS - See page 111 for more information



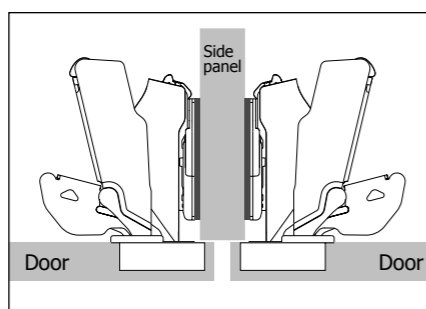
DRILLING PATTERN



FULL OVERLAY



HALF OVERLAY



Hinge Cover Options
See page 113



Sensys 95° Clip On Thick Door Hinge

elite

- Concealed hinge with clip on installation with optional integrated Silent System
- Quality classification under EN 15570, Level 3
- For corner cabinets
- For door thickness 15 - 32mm
- Cup diameter 35mm
- Cup depth 12.8mm
- Integrated door offset adjustment +1mm / -2mm
- Integrated reveal adjustment +3mm / -2mm
- Height adjustment at mounting plate
- All visible parts in obsidian black



FULL OVERLAY **0mm**

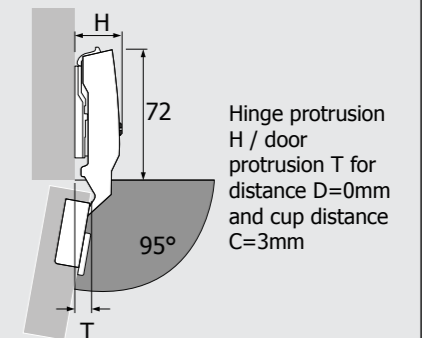
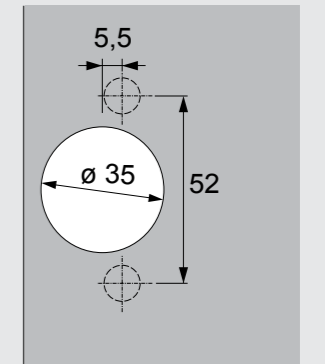
Type	Description	Item No.	UOM
Soft Close	No Screw	284042	1
Non Soft Close / Push-On	No Screw	284043	1



HINGE PLATE OPTIONS - See page 111 for more information



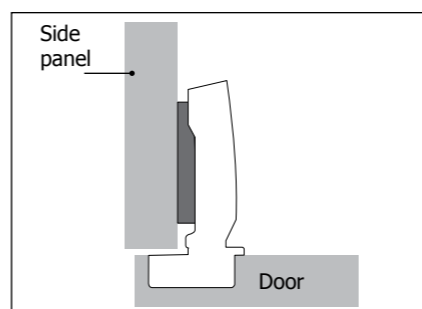
DRILLING PATTERN



Hinge protrusion H / door protrusion T for distance D=0mm and cup distance C=3mm

	H mm	T mm
Full Overlay	19.5	7.5
Half Overlay	29.0	17.0
Inset	35.5	23.5

FULL OVERLAY



Push Open Options
See page 112



Hinge Cover Options
See page 113





Thin Door 110° Clip On Hinge

elite

- Concealed hinge with clip on installation and optional integrated Silent System
- For door thickness of 10 – 16 mm
- Cup diameter 35 mm, Cup depth 7.8 mm
- Integrated overlay adjustment + 2 mm / - 2 mm
- Integrated depth adjustment + 3 mm / - 2 mm
- Height adjustment at mounting plate
- All visible parts in obsidian black

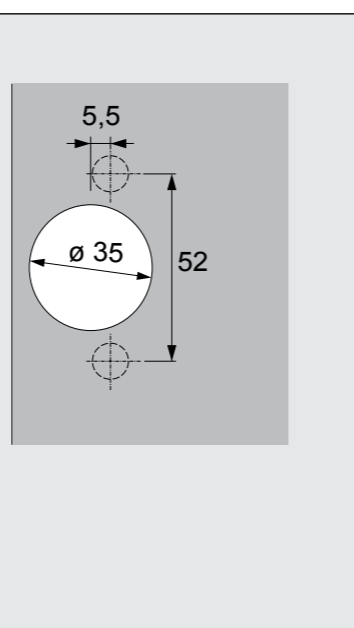


FULL OVERLAY **0mm**

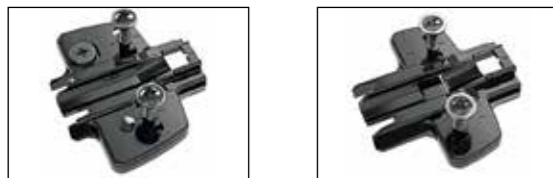
Type	Description	Item No.	UOM
Soft Close	No Screw	285073	1
Non Soft Close / Push-On	No Screw	284049	1



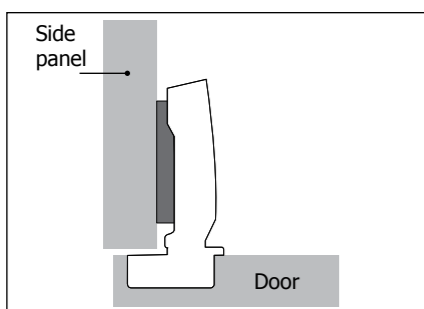
DRILLING PATTERN



HINGE PLATE OPTIONS - See page 111 for more information



FULL OVERLAY



Push Open Options
See page 112



Hinge Cover Options
See page 113



Sensys 90° Clip On - Soft Close & Non Soft Close Hinges

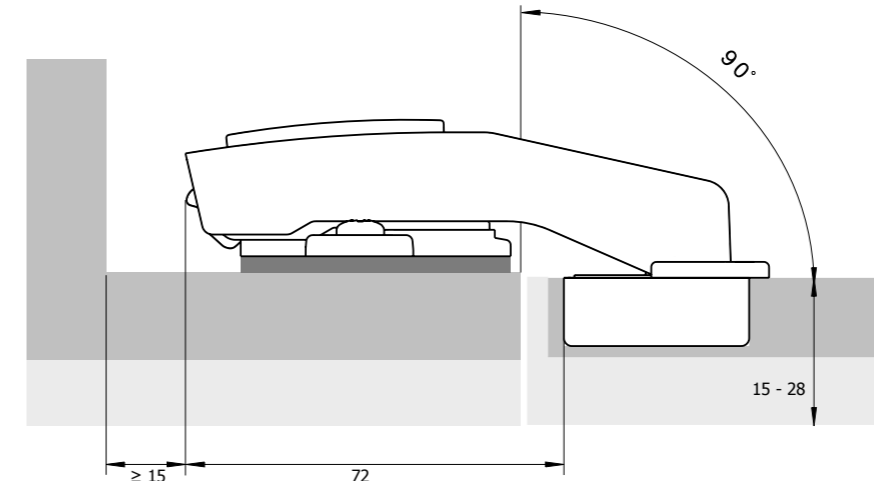
elite

- Concealed hinge with clip on installation with optional integrated Silent System
- Quality classification under EN 15570, Level 3
- For corner cabinets
- For door thickness 15 - 28mm
- Cup diameter 35mm
- Cup depth 12.8mm
- Integrated door offset adjustment +1mm / -2mm
- Integrated reveal adjustment +3mm / -2mm
- Height adjustment at mounting plate
- All visible parts in obsidian black



FULL OVERLAY **0mm**

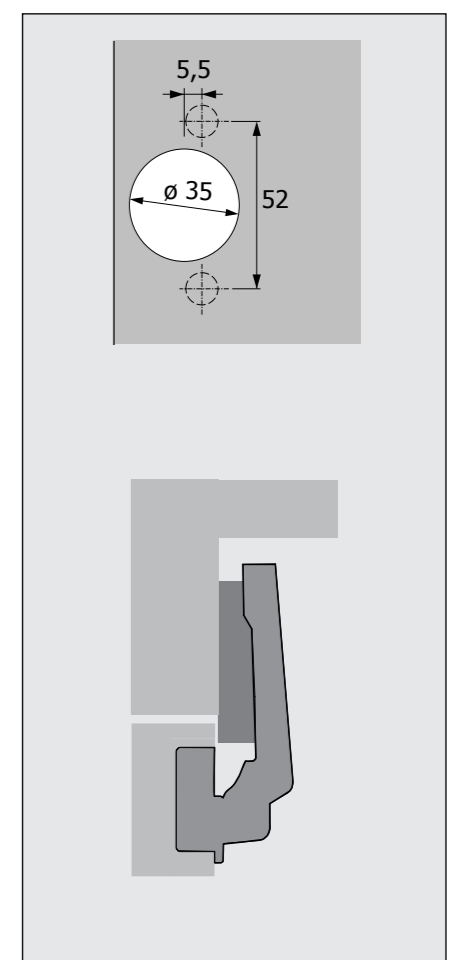
Type	Description	Item No.	UOM
Soft Close	No Screw	284054	1
Non Soft Close / Push-On	No Screw	284055	1



HINGE PLATE OPTIONS - See page 111 for more information



DRILLING PATTERN



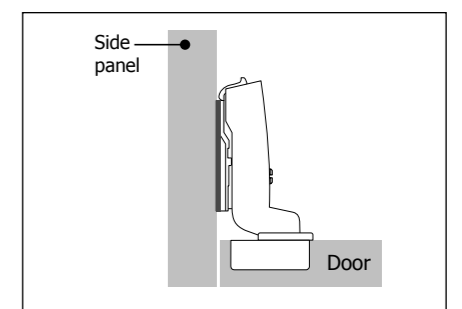
Push Open Options
See page 112



Hinge Cover Options
See page 113



INSET





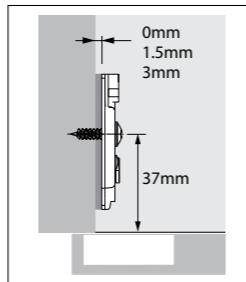
Hinge Plate Options



3D PLATES



- Quality classification under EN 15570, Level 3
- Hole spacing 32 mm
- Eccentric cam height adjustment ± 2 mm
- Steel, nickel plated
- Euro Screw fixing 5mm



0mm - 19mm Board

Description	Item No.	UOM
Wood Screw	280188	1
Euro Screw	280517	1

1.5mm - 18mm Board

Description	Item No.	UOM
Wood Screw	278004	1
Euro Screw	278003	1

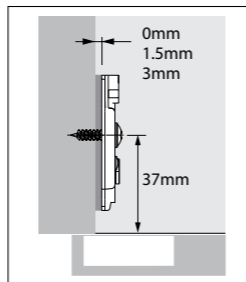
3mm - 15mm Board

Description	Item No.	UOM
Wood Screw	281531	1
Euro Screw	283573	1

CROSS MOUNTING PLATES



- Quality classification under EN 15570, Level 3
- Hole spacing 32 mm
- Oblong hole height adjustment ± 3 mm
- Steel, nickel plated
- Euro Screw fixing 5mm



0mm - 19mm Board

Description	Item No.	UOM
No Screw	281533	1
Euro Screw	283864	1

1.5mm - 18mm Board

Description	Item No.	UOM
Wood Screw	278002	1
Euro Screw	278001	1

3mm - 15mm Board

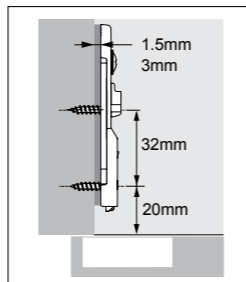
Description	Item No.	UOM
Wood Screw	283781	1
Euro Screw	283885	1

3D LINEA PLATES



Description	Item No.	UOM
1.5mm No Screw	281826	1
3mm No Screw	282459	1

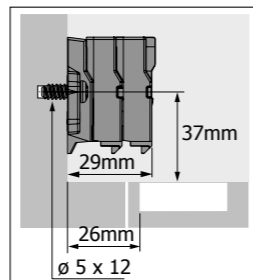
- Quality classification under EN 15570, Level 3
- Eccentric cam height adjustment ± 2 mm
- Steel, nickel plated



3D INFRAME PLATE - EURO SCREW



- For attachment with pre-mounted Euro screws
- Hole distance: 32mm
- Height adjustment: ± 2 mm
- For 1/2 overlay hinge application only
- Total height 34mm
- Euro Screw fixing 5mm



Item No.	UOM
278005	1



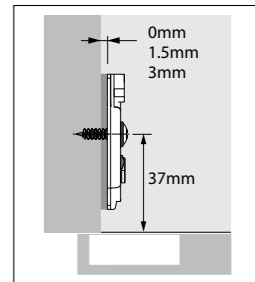
Hinge Plate Options



BLACK 3D MOUNTING PLATES



- Quality classification under EN 15570, Level 2
- Hole spacing 32 mm
- Half overlay door, from 15 mm side panel thickness
- Eccentric cam height adjustment ± 2 mm
- Steel in obsidian black
- Euro Screw fixing 5mm



0mm - 19mm Board

Description	Item No.	UOM
Wood Screw	283979	1
Euro Screw	281547	1

1.5mm - 18mm Board

Description	Item No.	UOM
Wood Screw	283978	1
Euro Screw	281548	1

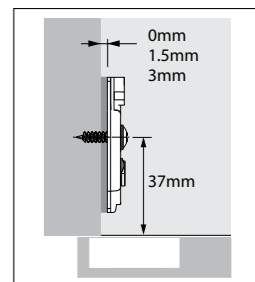
3mm - 15mm Board

Description	Item No.	UOM
Wood Screw	283977	1
Euro Screw	283973	1

BLACK CROSS MOUNTING PLATES



- Quality classification under EN 15570, Level 2
- Hole spacing 32 mm
- Half overlay door, from 15 mm side panel thickness
- Oblong hole height adjustment ± 2 mm
- Steel in obsidian black
- Euro Screw fixing 5mm



0mm - 19mm Board

Description	Item No.	UOM
Wood Screw	283970	1
Euro Screw	283974	1

1.5mm - 18mm Board

Description	Item No.	UOM
Wood Screw	283971	1
Euro Screw	283975	1

3mm - 15mm Board

Description	Item No.	UOM
Wood Screw	283972	1
Euro Screw	283976	1





Push Open Options

elite

- For use with Hinges with Push-On feature
- Suitable for full overlay, half overlay and inset doors
- Large adjustment range of 6 mm
- Opening movement 1.4 mm
- For using short stroke / long stroke options
- Plastic



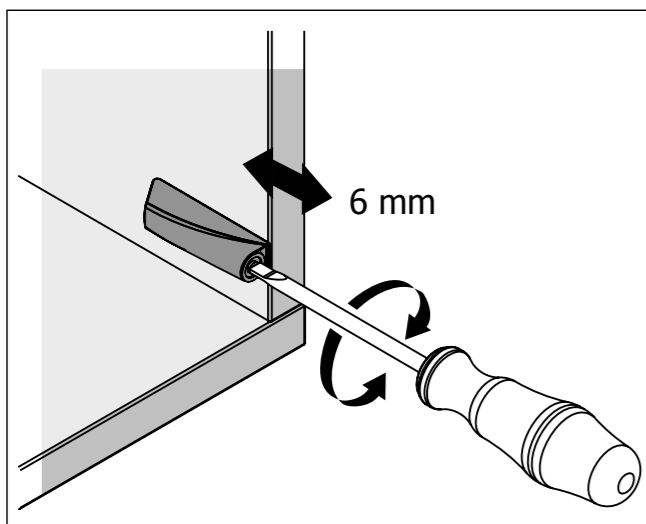
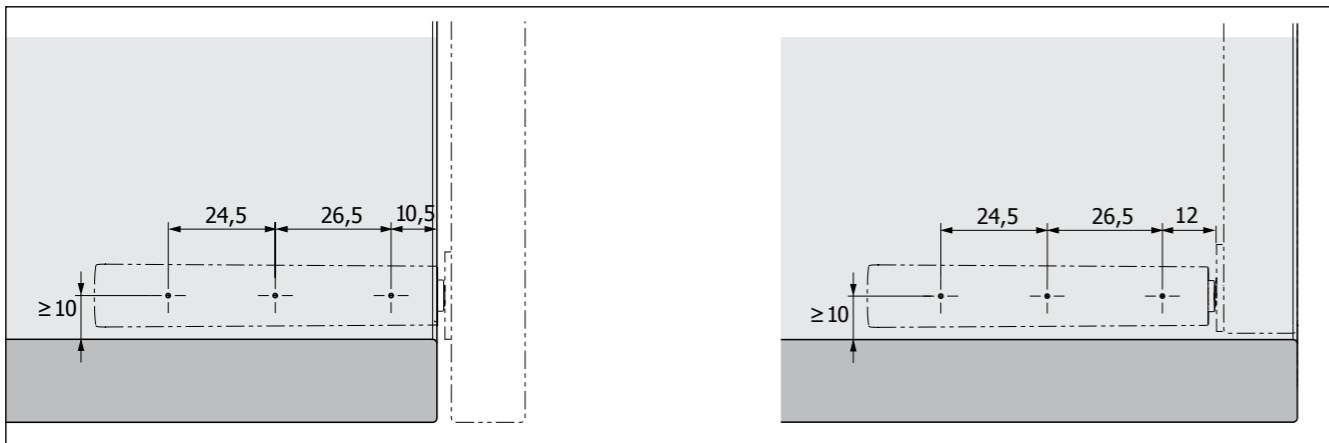
Description	Item No.	UOM
Light Grey	278000	1 Set
White	283932	1 Set
Anthracite	280578	1 Set

SET COMPRISES



- 1 Push to open magnet
- 1 Adapter top section
- 1 Adapter base section
- 1 Counterplate for gluing / screwing on

DRILLING PATTERN FOR LONG STROKE, OVERLAY DOOR OR INSET DOOR



Hinge Cover Options

elite

NICKEL HINGE CUP AND ARM COVERS



Description	Item No.	UOM
Arm	278502	50
Cup	278501	50



OBSDIAN BLACK HINGE CUP AND ARM COVERS



Description	Item No.	UOM
Arm	283550	50
Cup	283551	50



110° Soft Close Hinge - Clip On



- Opening angle 110°
- Cup diameter 35mm
- Cup depth 11.2mm
- Cam adjustment
- Nickel Coating



FULL OVERLAY 0mm

Type	Description	Item No.	UOM
Soft Close	No Screw	111043	1
Soft Close	8mm Dowel	111044	1

HALF OVERLAY 9mm

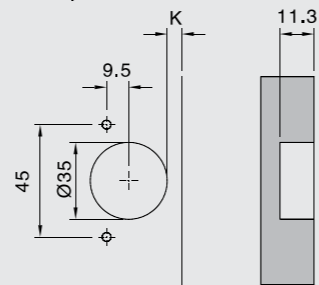
Type	Description	Item No.	UOM
Soft Close	No Screw	111047	1
Soft Close	8mm Dowel	111048	1

INSET 18mm

Type	Description	Item No.	UOM
Soft Close	No Screw	111045	1
Soft Close	8mm Dowel	111046	1

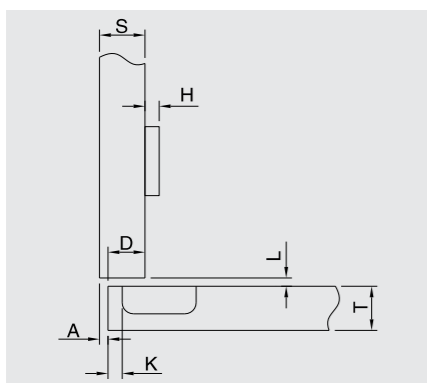
DRILLING PATTERN

Cup distance: 45 x 9.5

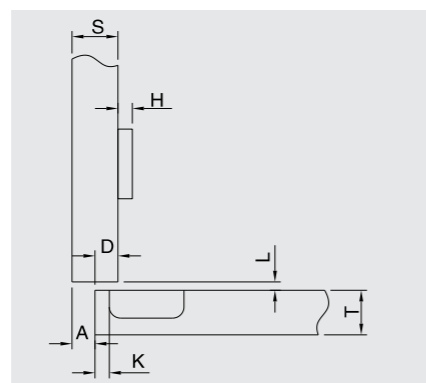


Associated products

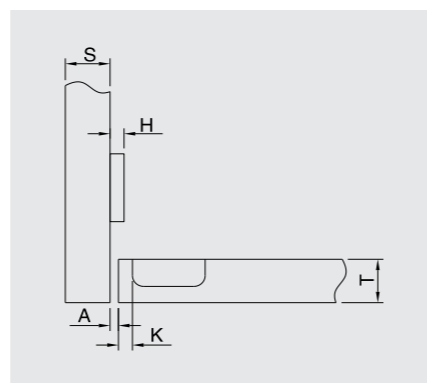
- Mounting plates - Clip On: Pg 118
- Decorative covers: Pg 119



Formula: $H = 14 + K - D$



Formula: $H = 5 + K - D$



Formula: $H = 6 + K + A$

Calculation Tables

D \ H	K	3	4	5	6
0		17	18	19	20
2		15	16	17	18

D \ H	K	3	4	5	6
0		8	9	10	11
2		6	7	8	9

A \ H	K	3	4	5	6
0		3	2	1	0
2		5	4	3	2

165° Soft Close Hinge - Clip On



- Opening angle 110°
- Cup diameter 35mm
- Cup depth 11.2mm
- Nickel Coating



FULL OVERLAY 0mm

Type	Description	Item No.	UOM
Soft Close	No Screw	140910	1

HALF OVERLAY 9mm

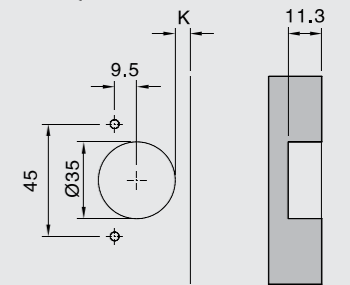
Type	Description	Item No.	UOM
Soft Close	No Screw	141122	1

INSET 18mm

Type	Description	Item No.	UOM
Soft Close	No Screw	141123	1

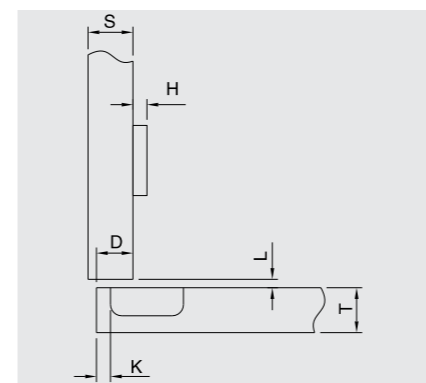
DRILLING PATTERN

Cup distance: 45 x 9.5

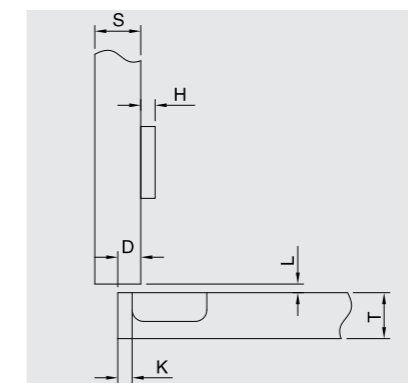


Associated products

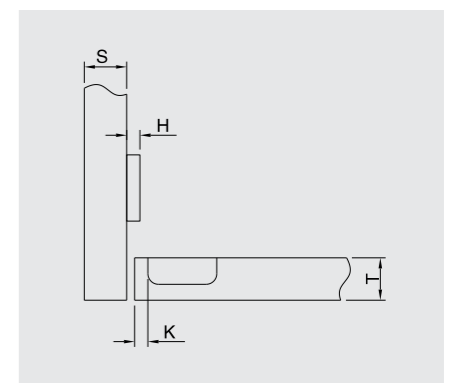
- Mounting plates - Clip On: Pg 118
- Decorative covers: Pg 119



Formula: $H = 14 + K - D$



Formula: $H = 4 + K - D$



Formula: $H = 2 + K + A$

Calculation Tables

D \ H	K	3	4	5	6
0		17	18	19	20
2		15	16	17	18
4		13	14	15	16

D \ H	K	3	4	5	6
0		7	8	9	10
2		5	6	7	8
4		3	4	5	6

A \ H	K	3	4	5	6
0		0	-1	-2	-3
2		2	1	0	-1
4		4	3	2	1

110° Hinge



- Opening angle 110°
- Cup diameter 35mm
- Cup depth 11.2mm
- Nickel Coating



FULL OVERLAY 0mm

Type	Description	Item No.	UOM
Clip On	No Screw	111040	1
Clip On	8mm Dowel	141457	1
Slide On	No Screw	265876	1

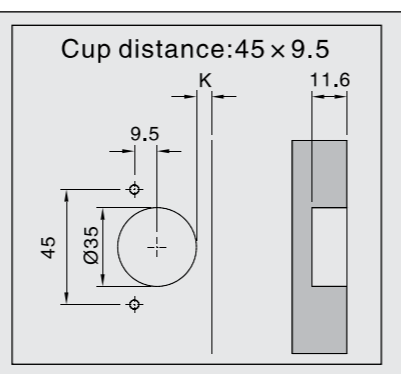
HALF OVERLAY 9mm

Type	Description	Item No.	UOM
Clip On	No Screw	111042	1
Slide On	No Screw	265885	1

INSET 18mm

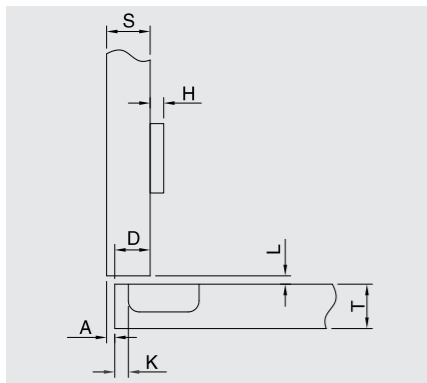
Type	Description	Item No.	UOM
Clip On	No Screw	111041	1
Slide On	No Screw	265888	1

DRILLING PATTERN

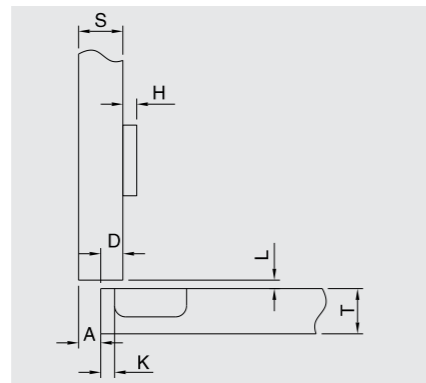


Associated products

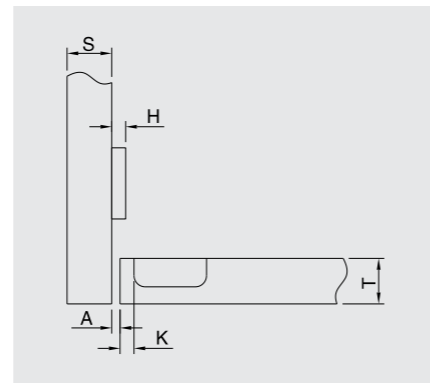
- Mounting plates - Clip On: Pg 118
- Mounting plates - Slide On: Pg 119
- Decorative covers: Pg 119



Formula: $H = 13 + K - D$



Formula: $H = 5 + K - D$



Formula: $H = 2 + K + A$

Calculation Tables

D \ H \ K	3	4	5	6
0	16	17	18	19
2	14	15	16	17
4	12	13	14	15

D \ H \ K	3	4	5	6
0	8	9	10	11
2	6	7	8	9
4	4	5	6	7

A \ H \ K	3	4	5	6
0	-1	-2	-3	-4
2	1	0	-1	-2
4	3	2	1	0

165° Hinge

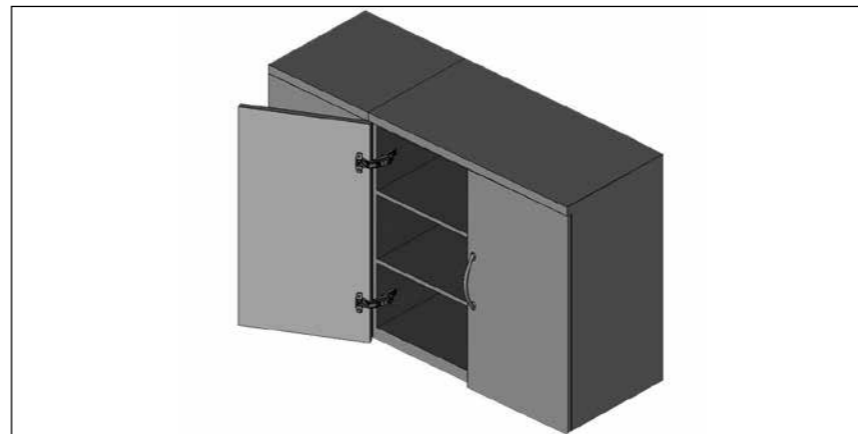


- Opening angle 110°
- Cup diameter 35mm
- Cup depth 11.2mm
- Nickel Coating

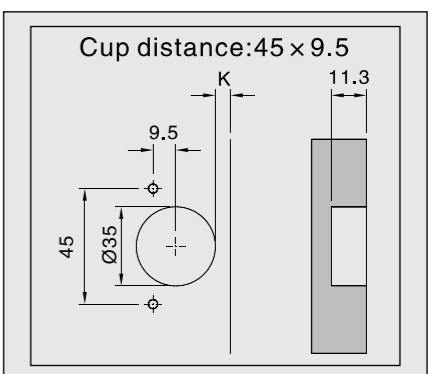


FULL OVERLAY 0mm

Type	Description	Item No.	UOM
Clip On	No Screw	111049	1
Slide On	No Screw	265831	1

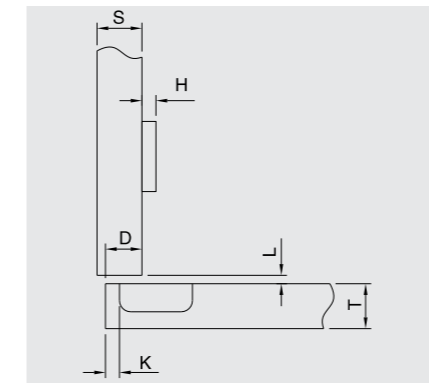


DRILLING PATTERN

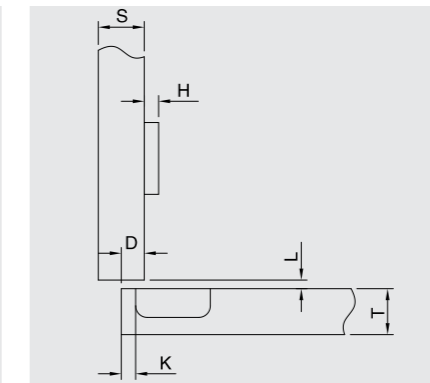


Associated products

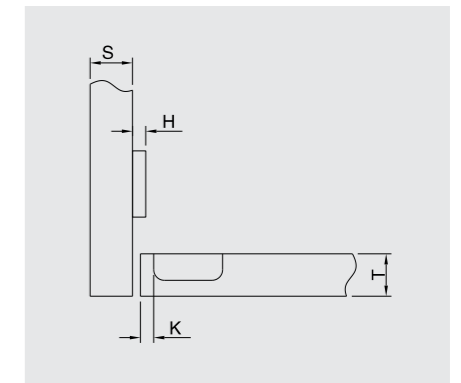
- Mounting plates - Clip On: Pg 118
- Mounting plates - Slide On: Pg 119
- Decorative covers: Pg 119



Formula: $H = 14 + K - D$



Formula: $H = 4 + K - D$



Formula: $H = 2 + K + A$

Calculation Tables

D \ H \ K	3	4	5	6
0	17	18	19	20
2	15	16	17	18
4	13	14	15	16

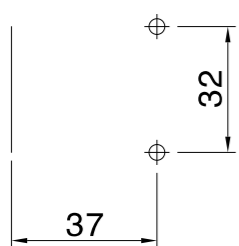
D \ H \ K	3	4	5	6
0	7	8	9	10
2	5	6	7	8
4	3	4	5	6

A \ H \ K	3	4	5	6
0	0	-1	-2	-3
2	2	1	0	-1
4	4	3	2	1

Soft Close Cruciform and 4D Plate



- Material - Steel
- Nickel plated
- Cam adjustment on 4D only



CRUCIFORM PLATE - CLIP ON



18mm Board		5mm	
Description	Item No.	UOM	
No Screw	111136	1	
Euro Screw	111134	1	
8mm Dowel	111137	1	

4D PLATE - CLIP ON



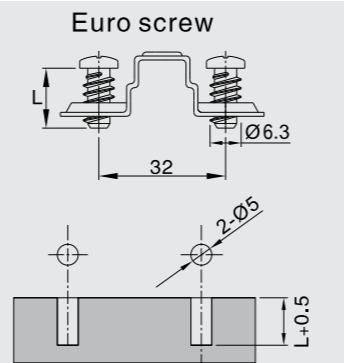
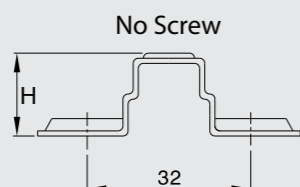
15 & 18mm Board		5mm	
Description	Item No.	UOM	
No Screw	111140	1	
Euro Screw	111138	1	
8mm Dowel	111141	1	

Soft close cruciform plate

H	Installation Height
0	5

Soft close 4D plate

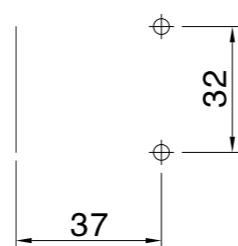
H	Installation Height
0	5



Cruciform Plate - Clip On & Slide On



- Material - Steel
- Nickel plated



CRUCIFORM PLATE - CLIP ON



18mm Board		5mm	
Description	Item No.	UOM	
No Screw	111125	1	
Euro Screw	111124	1	
8mm Dowel	111127	1	

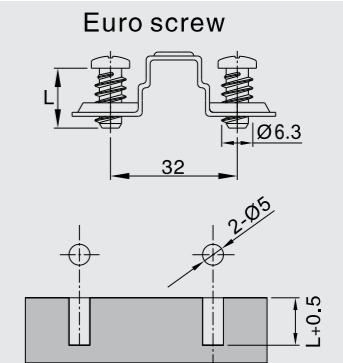
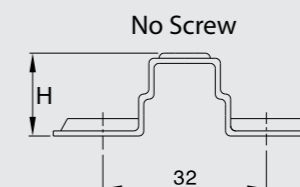
CRUCIFORM PLATE - SLIDE ON



18mm Board		5mm	
Description	Item No.	UOM	
No Screw	265895	1	
Euro Screw	265894	1	

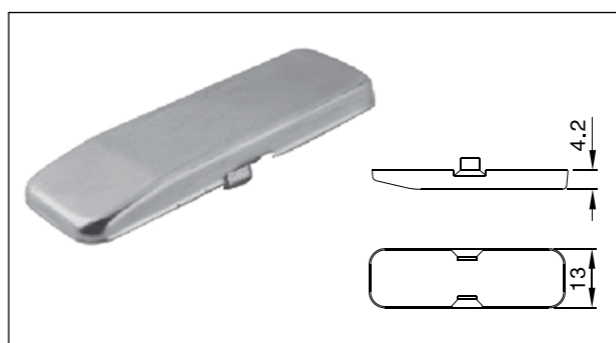
Cruciform plate

H	Installation Height
0	5



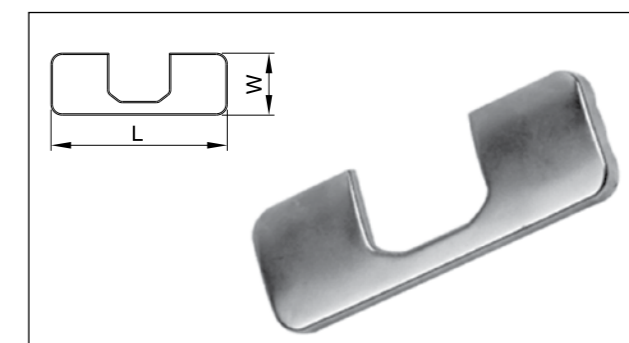
eco Hinge Plates

Hinge Covers



Arm Cover

Description	Item No.	UOM
Personalised	140823	250
Without Logo	111053	250



Cup Cover

Description	Item No.	UOM
45mm Pitch	111055	250

Additional Hinges: 110° Hinge

110° Hinge

- Opening angle 110°
- Cup diameter 35mm
- Cup depth 11.2mm
- Nickel Coating



FULL OVERLAY

0mm

Type	Description	Item No.	UOM
Clip On	No Screw	110698	1
Clip On	8mm Dowel	110706	1
Slide On	No Screw	110681	1
Slide On	8mm Dowel	110689	1

HALF OVERLAY

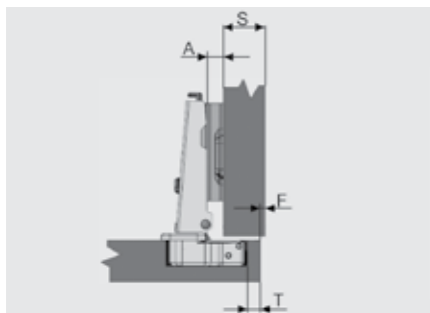
9mm

Type	Description	Item No.	UOM
Clip On	No Screw	110699	1
Clip On	8mm Dowel	110707	1
Slide On	No Screw	250248	1
Slide On	8mm Dowel	110690	1

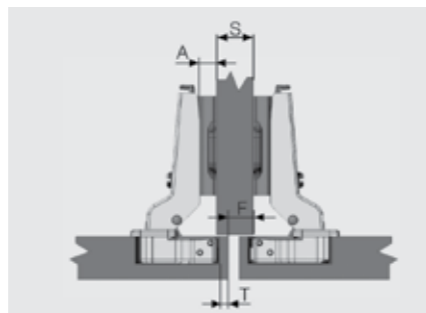
INSET

18mm

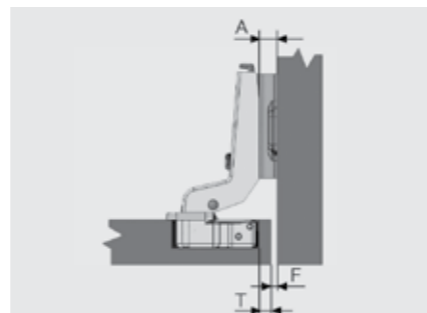
Type	Description	Item No.	UOM
Clip On	No Screw	110700	1
Clip On	8mm Dowel	110708	1
Slide On	No Screw	110683	1
Slide On	8mm Dowel	110691	1



Formula: $A = 18 + F + T - S$



Formula: $A = 9 + F + T - S$



Formula: $A = F + T$

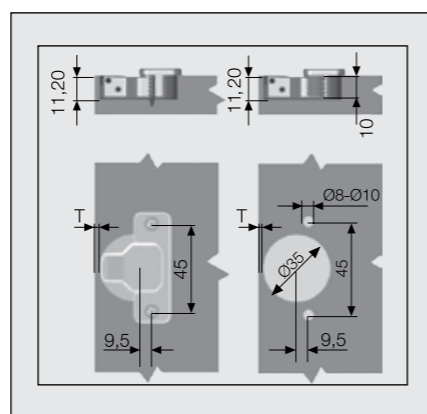
Calculation Tables

S	Side Thickness	18	15
A	Mounting Plate Thickness	5 7 7 7 9 9	
F	Minimum Gap	1 1 2 1 1 2	
T	Cup Distance	4 6 5 4 6 5	

S	Side Thickness	18	15
A	Mounting Plate Thickness	5 7 7 7 7 -	
F	Minimum Gap	10 10 11 9 10 -	
T	Cup Distance	4 6 5 5 4 -	

A	Mounting Plate Thickness	5 7 7 - - -
F	Minimum Gap	1 1 2 - - -
T	Cup Distance	4 6 5 - - -

DRILLING PATTERN



Associated products

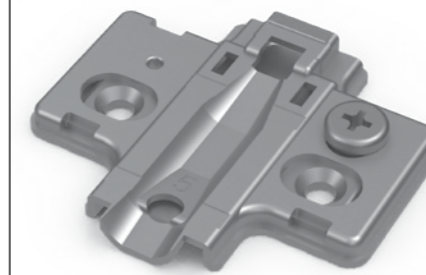
Mounting plates - Clip On: Pg 121

Additional Hinges: 3D Plate & Cruciform Hinge Plate Clip-On

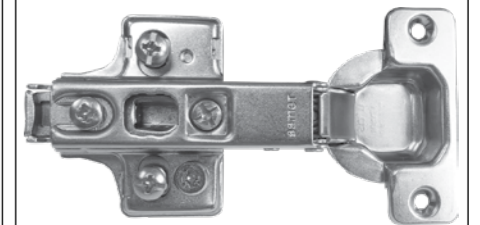
3D Plate

- CAM adjustment in 3 directions
- 32mm hole centres
- Coating: Nickel

CLIP ON 3D PLATE



CLIP ON HINGE



18mm Board

5mm

Description	Item No.	UOM
No Screw	262039	1
Euro Screw	262037	1

15 & 18mm Board

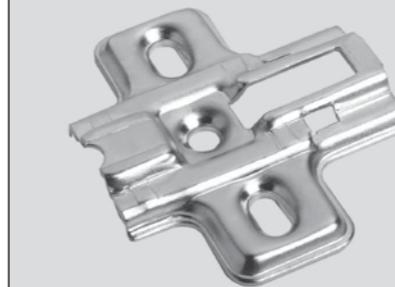
7mm

Description	Item No.	UOM
No Screw	262040	1
Euro Screw	250000	1

Cruciform Hinge Plate Clip-On

- Vertical adjustment
- 32mm hole centres
- Coating: Nickel

CRUCIFORM HINGE PLATE



HINGE



18mm Board

5mm

Description	Item No.	UOM
Clip On No Screw	110746	1
Clip On Euro Screw	110749	1
Clip On 8mm Dowel	110752	1
Slide On No Screw	110736	1
Slide On Euro Screw	110739	1
Slide On 8mm Dowel	110742	1

15 & 18mm Board

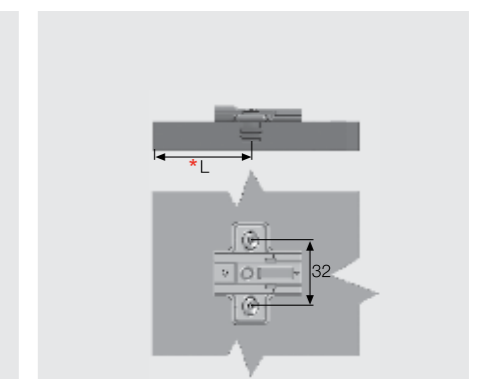
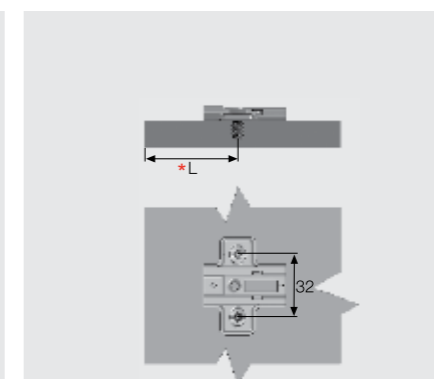
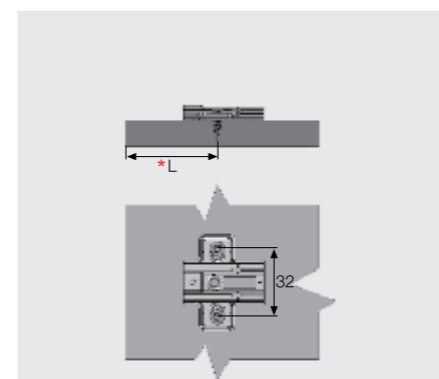
7mm

Description	Item No.	UOM
Clip On No Screw	110747	1
Clip On Euro Screw	110750	1
Clip On 8mm Dowel	110753	1
Slide On No Screw	110737	1
Slide On Euro Screw	110740	1
Slide On 8mm Dowel	110743	1

15mm Board

9mm

Description	Item No.	UOM
Clip On No Screw	110748	1
Clip On Euro Screw	110751	1
Clip On 8mm Dowel	110754	1
Slide On No Screw	110738	1
Slide On Euro Screw	110741	1
Slide On 8mm Dowel	110744	1



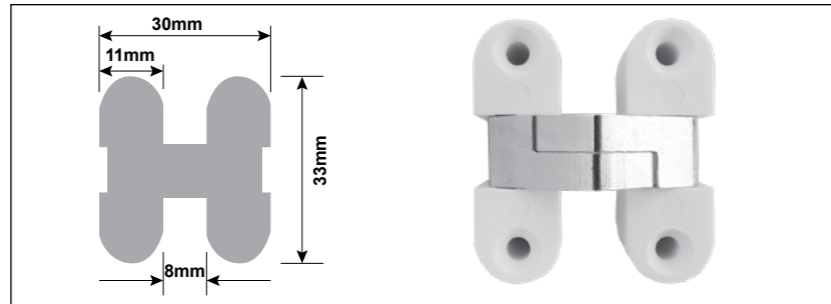
* Onlay and Half Onlay: L=37mm for Inset: L=37mm + door thickness

Additional Hinges: **Various**

Folding Table Hinge

Finish	Item No.	UOM
White	263214	1

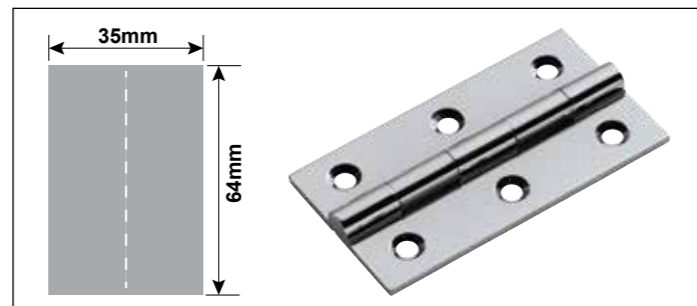
Dimensions: As opposite.
Depth = 14.5mm



Cabinet Hinge

Finishes	Item No.	UOM
CP Polished Chrome SC Satin Chrome AB Antique Brass PB Polished Brass PE Pewter Effect	H820	1

Dimensions: As opposite.
Depth = 2mm



Flush Hinge

Finish	Item No.	UOM
Brass	109612	1

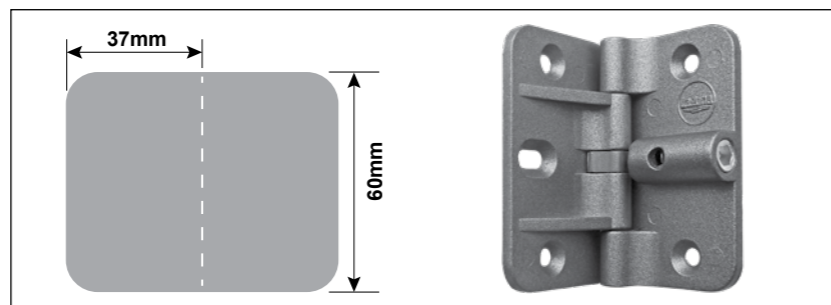
Dimensions: As opposite.
Depth = 2mm



Lux Hinge

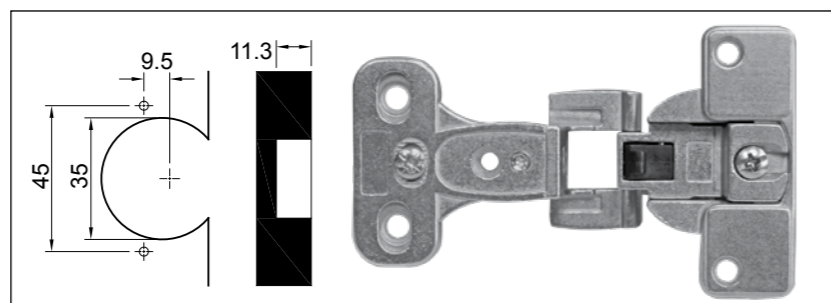
Finish	Item No.	UOM
Zinc	109621	1

Dimensions: As opposite.
Depth = 3mm



270° Hinge

Finish	Item No.	UOM
Nickel	111052	1



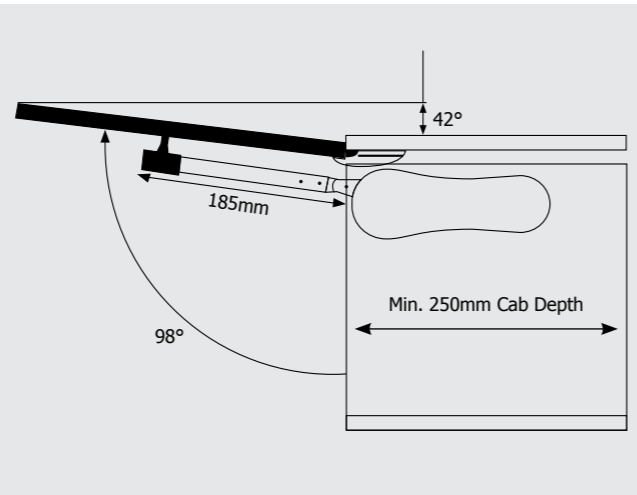
Lifts, Stays and Buffers.



MonoLift and DuoLift Door Systems, a combination of sophisticated design and high end technology.

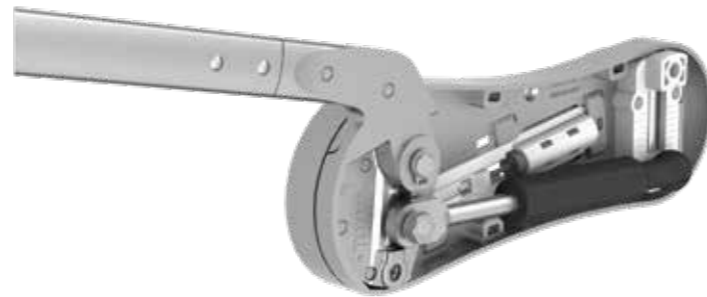
The DuoLift is specially designed for double door systems. With the help of the gradually opening mechanism it provides the opportunity to place furniture doors, especially high cabinets, at the intended point. In addition, with an anti-collision, soft close mechanism, it improves comfort of use.

Mono Lift Door Mechanism



MonoLift

- Aesthetic appearance
- Available in white and grey
- Gradual opening
- Soft Closing
- Five force options
- 2kg - 8kg loading capacity on one side
- 4kg - 16kg loading capacity on two sides
- ABS material



Maximum door width: 1200mm
 Minimum door height: 350mm
 Maximum door height: 600mm



Mono Lift Mechanism

Weight	Item No.	UOM
Monolift 185 Grey Set	274639	1 set
Monolift 185 White Set	111134	1 set

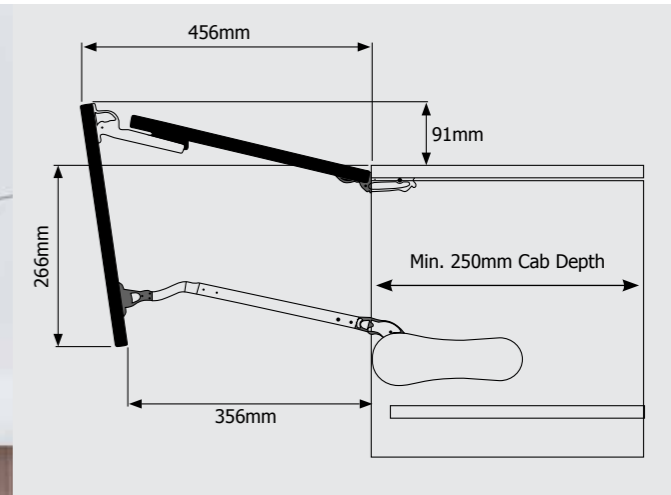
Force Unit Mechanism - Must be added to the lift mechanism depending on door weight.

Force Unit Mono Lift

Weight	Item No.	UOM
Mono/Duo Force Lift 200/100N	274647	1
Mono/Duo Force Lift 300/100N	274648	1
Mono/Duo Force Lift 400/150N	274649	1
Mono/Duo Force Lift 500/150N	274650	1
Mono/Duo Force Lift 700/150N	274651	1

NB - 2 Force Units required per set of lifts.

Duo Lift Door Mechanism



DuoLift

- Aesthetic appearance
- Available in white and grey
- Gradual opening
- Soft Closing
- Five force options
- 3kg - 21kg load capacity
- ABS material



Maximum door width: 1200mm
 Minimum door height: 320mm
 Maximum door height: 800mm



Duo Lift Mechanism with Hinges

Weight	Item No.	UOM
Duolift 650 Grey Set	274653	1 set
Duolift 720 Grey Set	274654	1 set
Duolift 800 Grey Set	274657	1 set
Duolift 650 White Set	274655	1 set
Duolift 720 White Set	274656	1 set
Duolift 800 White Set	274658	1 set

Force Unit Mechanism - Must be added to the lift mechanism depending on door weight.

Force Unit Mechanism

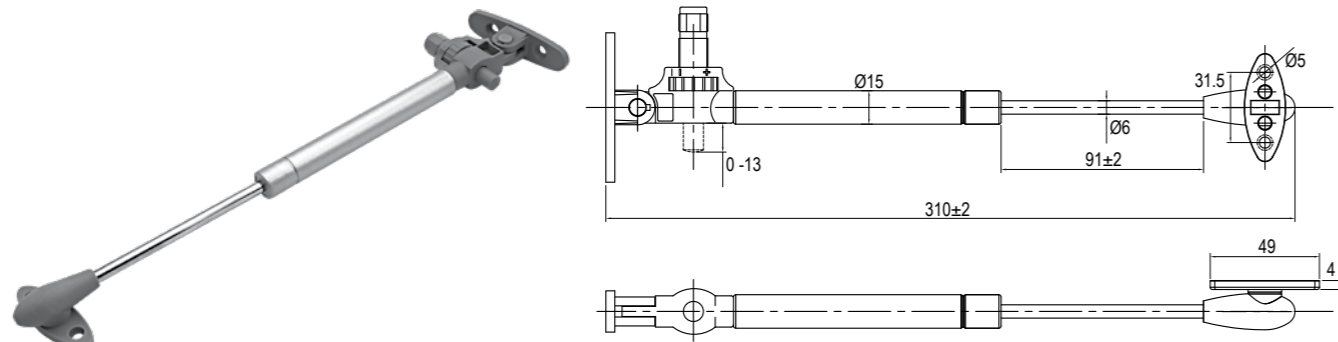
Weight	Item No.	UOM
Mono/Duo Force Lift 200/100N	274647	1
Mono/Duo Force Lift 300/100N	274648	1
Mono/Duo Force Lift 400/150N	274649	1
Mono/Duo Force Lift 500/150N	274650	1
Mono/Duo Force Lift 700/150N	274651	1

NB - 2 Force Units required per set of lifts.

T-Series Lifts and Stays

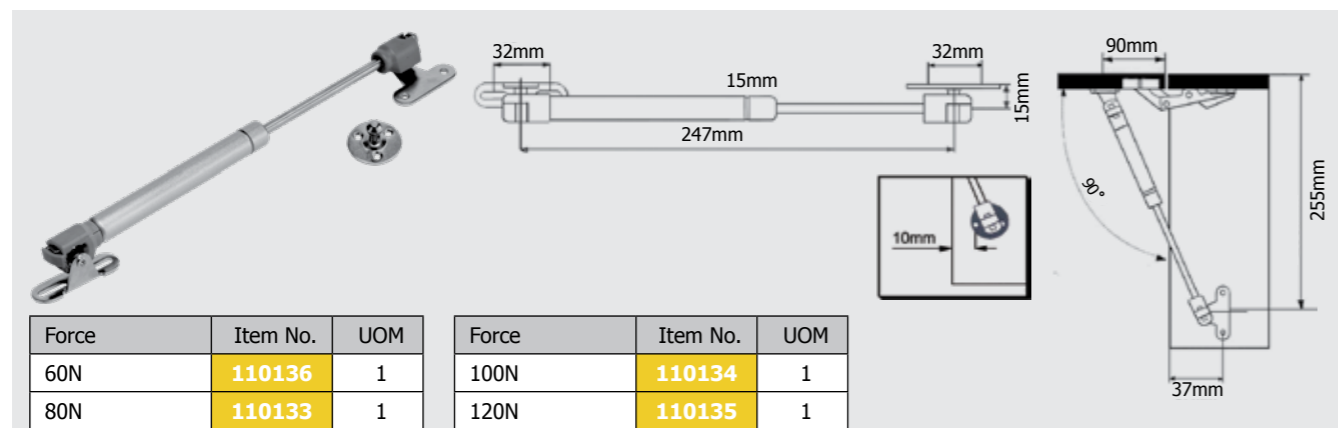


T1 - Soft Close Gas Lift



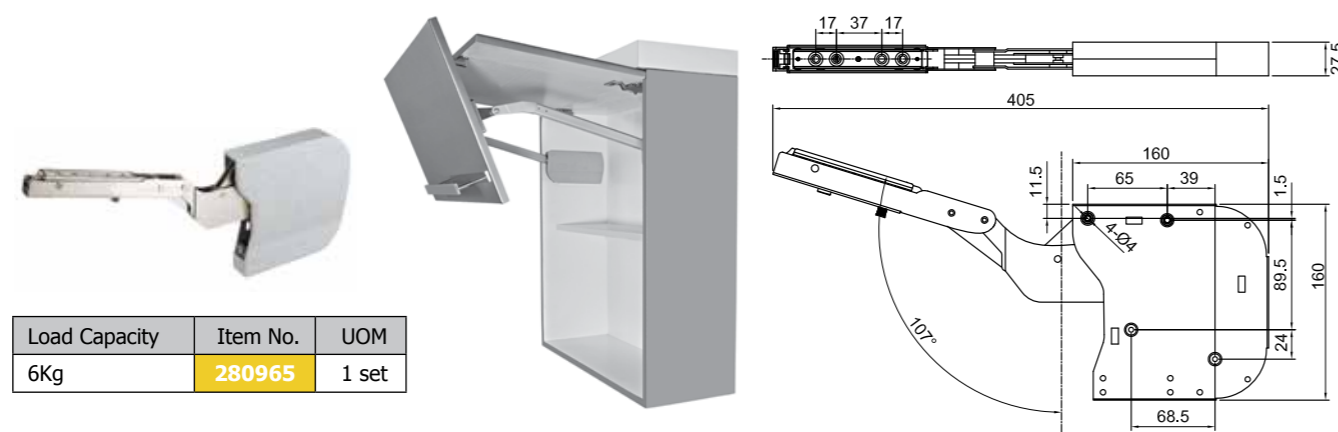
Force	Item No.	UOM	Force	Item No.	UOM
60N	280942	1	100N	280944	1
80N	280943	1	120N	280945	1

T2 - Standard Gas Lift



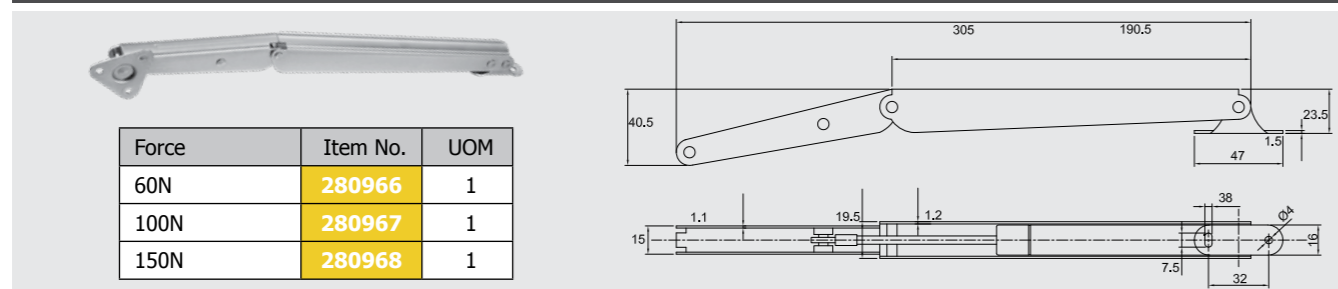
Force	Item No.	UOM	Force	Item No.	UOM
60N	110136	1	100N	110134	1
80N	110133	1	120N	110135	1

T3 - Hinge-less Door lift with 3D adjustment - Dark Grey



Load Capacity	Item No.	UOM
6Kg	280965	1 set

T4 - Lift Up - Suitable for toy boxes



Force	Item No.	UOM
60N	280966	1
100N	280967	1
150N	280968	1

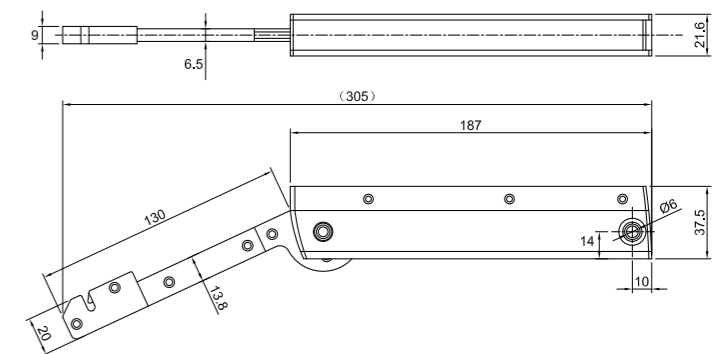
T-Series Lifts and Stays



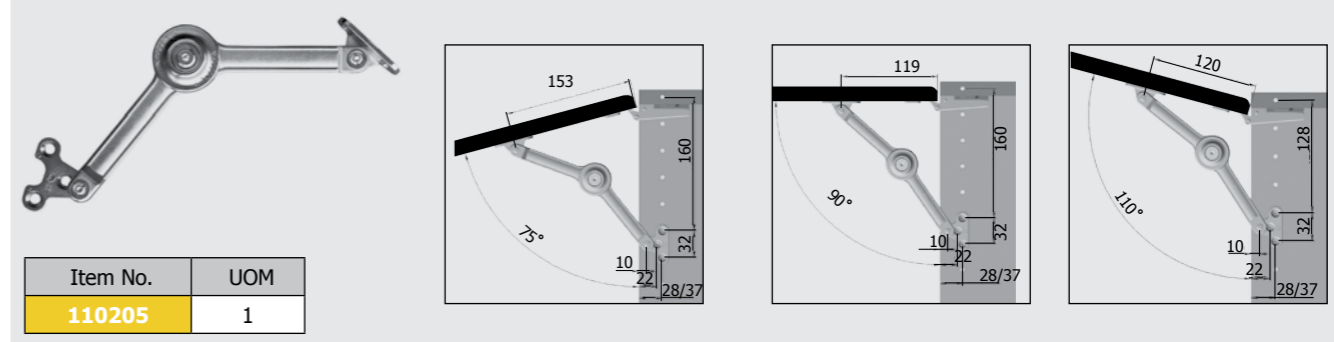
T5 - Slim Line door lift with soft close - Nickel Finish

Load Capacity	Item No.	UOM
4Kg	280964	1

6 step adjustment on force

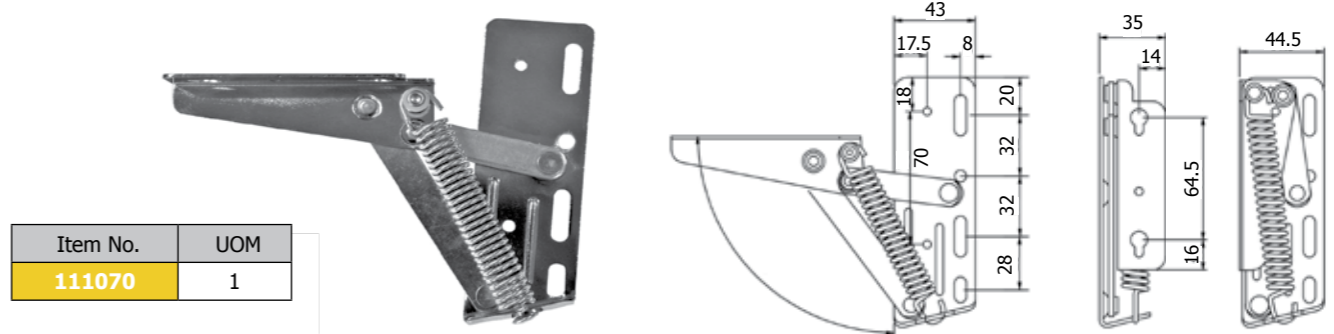


T6 - Lid Stay



Item No.	UOM
110205	1

T7 - Spring Assisted Stay



Item No.	UOM
111070	1

HANDLES



HANDLES

TABLE OF CONTENTS

Contents:

Handle colour / finish key	130
Deluxe handles	131
Elite - Glamour crystal range	134
Contemporary furniture handles	136
Contemporary furniture knobs	144
Contemporary cup pulls	150
Traditional furniture handles	150
Traditional furniture knobs	152
Traditional cup pulls	155
Eco - Handles	156
Eco - Knobs	159
Eco - Handle profiles	161
Eco - Edge handle profiles	162
Elite - Handle-less door profiles	164
Eco - Handle-less door profiles	166

Handle Colour / Finish Key

	AB	Antique Brass		FB	Florentine Bronze
	ABB	Antique Burnished Brass		FBIC	Florentine Bronze / Ivory Crackle Glaze
	ABIC	Antique Brass / Ivory Crackle Glaze		GB	Gold Brushed
	ACC	Acrylic Clear Chrome		GDCR	Gold / Crystal
	AS	Antique Steel (Fingertip Range)		GM	Gun Metal
	AS	Antique Silver (Deluxe Range)		IC	Ivory Crackle Glaze
	ASMC	Antique Steel / Midnight Blue Crackle Glaze		IG	Iron Grey
	BA	Black Antique		MC	Midnight Blue Crackle (Fingertip Range)
	BB	Brushed Black		MC	Matt Chrome (Deluxe Range)
	BB	Brushed Brass (Deluxe Range)		MSC	Matt Satin Chrome
	BC	Bright Chrome (Deluxe Range)		MSN	Matt Satin Nickel
	BC/BLK	Bright Chrome / Black		NA	Natural Aluminium
	BCLED	Bright Chrome / LED (Deluxe Range)		NB	Nickel Black
	BC/SW	Bright Chrome / Swarovski (Deluxe Range)		NC	Nickel Chrome
	BLK	Black		NP	Nickel Plate
	BLK/WHT	Black / White		PB	Polished Brass
	BN	Brushed Nickel		PCO	Polished Copper
	BR	Bronze		PE	Pewter Effect
	BSN	Brushed Satin Nickel (Deluxe Range)		PIV	Porcelain Ivory
	BSN/BC	Brushed Satin Nickel / Bright Chrome (Deluxe Range)		PN	Polished Nickel
	BSN/BLK	Brushed Satin Nickel / Black (Deluxe Range)		PNSN	Polished Nickel / Satin Nickel
	BSN/LED	Brushed Satin Nickel / LED (Deluxe Range)		POL/LAC	Polished / Laquered
	BSS	Bright Stainless Steel		PS	Polished Stainless Steel
	BW	Beeswax		PT	Pewter
	CH	Chrome		PWH	Porcelain White
	COP	Cooper		RG	Rose Gold
	COP/WHT	Cooper / White		SB	Satin Brass
	CP	Polished Chrome		SC	Satin Chrome
	CP/BLK	Polished Chrome / Black		SC/BLK	Satin Chrome / Black
	CP/CR	Polished Chrome / Crystal		SCO	Satin Cooper
	CPLED	Polished Chrome / LED		SN	Satin Nickel
	CPMC	Polished Chrome / Midnight Blue Crackle Glaze		SNBLK	Satin Nickel / Black
	CPMSC	Polished Chrome / Matt Satin Chrome		SNCP	Satin Nickel / Polished Chrome
	CPSC	Polished Chrome / Satin Chrome		SNCR	Satin Nickel / Crystal
	CPSN	Polished Chrome / Satin Nickel		SNLED	Satin Nickel / LED
	CPWH	Chrome Plate / White Porcelain		SNSS	Satin Nickel / Stainless Steel
	CR	Crystal		SS	Satin Stainless Steel
	CTB	Clear Translucent Brass		SSE	Stainless Steel Effect
	CTC	Clear Translucent Chrome		SSS	Satin Stainless Steel
	DB	Dark Bronze		WT	White
	EB	Electro Brassed			

NB: Due to limitations of printing technology NEY Ltd cannot guarantee the accuracy of colours.



Deluxe Handles

elite



374



Item No.	Finish	Centres	Length	Height	UOM
279318	BC	192mm	210mm	26mm	1
279321	BC	240mm	258mm	28mm	1
279320	BSN	192mm	210mm	26mm	1
279321	BSN	240mm	258mm	28mm	1
279319	MC	192mm	210mm	26mm	1
279322	MC	240mm	258mm	28mm	1

377



Item No.	Finish	Centres	Length	Height	UOM
279324	BC	160mm	187mm	30mm	1
279416	BC	192mm	226mm	33mm	1
279421	BC	240mm	280mm	35mm	1
279702	BC	352mm	400mm	35mm	1
279326	BSN	160mm	187mm	30mm	1
279420	BSN	192mm	226mm	33mm	1
279442	BSN	240mm	280mm	35mm	1
279704	BSN	352mm	400mm	35mm	1
279325	MC	160mm	187mm	30mm	1
279418	MC	192mm	226mm	33mm	1
279431	MC	240mm	280mm	35mm	1
279703	MC	352mm	400mm	35mm	1

706



Item No.	Finish	Centres	Length	Height	UOM
279705	BC	64mm	100mm	22mm	1
279706	BC	96mm	200mm	22mm	1
279707	BC	128mm	300mm	22mm	1
279708	BC	192mm	400mm	22mm	1
279709	BC	320mm	600mm	22mm	1

843



Item No.	Finish	Centres	Length	Height	UOM
279848	AS	96mm	145mm	20mm	1
279853	AS	160mm	218mm	20mm	1
279840	BB	96mm	145mm	20mm	1
279851	BB	160mm	218mm	20mm	1
279849	BLK	96mm	145mm	20mm	1
279854	BLK	160mm	218mm	20mm	1
279857	BLK	256mm	327mm	20mm	1
279850	BSN	96mm	145mm	20mm	1
279855	BSN	160mm	218mm	20mm	1
279858	BSN	256mm	327mm	20mm	1
279847	BC	96mm	145mm	20mm	1
279852	BC	160mm	218mm	20mm	1
279856	BC	256mm	327mm	20mm	1



Deluxe Handles


815


Item No.	Finish	Centres	Length	Height	UOM
273824	BC	128mm	162mm	38mm	1
273827	BC	192mm	256mm	38mm	1
273825	BSN	128mm	162mm	38mm	1
273828	BSN	192mm	256mm	38mm	1
273826	MC	128mm	162mm	38mm	1
273829	MC	192mm	256mm	38mm	1

845


Item No.	Finish	Centres	Length	Height	UOM
279880	BSN	128mm	136mm	26mm	1
279882	BSN	192mm	200mm	26mm	1
279884	BSN	256mm	264mm	26mm	1
279878	BC	128mm	136mm	26mm	1
279881	BC	192mm	200mm	26mm	1
279883	BC	256mm	264mm	26mm	1

844


Item No.	Finish	Centres	Length	Height	UOM
279862	AS	128mm	149mm	25mm	1
279148	AS	192mm	213mm	25mm	1
279875	AS	256mm	277mm	25mm	1
279863	BLK	128mm	149mm	25mm	1
279872	BLK	192mm	213mm	25mm	1
279876	BLK	256mm	277mm	25mm	1
279864	BSN	128mm	149mm	25mm	1
279873	BSN	192mm	213mm	25mm	1
279877	BSN	256mm	277mm	25mm	1
279861	BC	128mm	149mm	25mm	1
279871	BC	192mm	213mm	25mm	1
279874	BC	256mm	277mm	25mm	1

378

Item No.	Finish	Centres	Length	Height	UOM
274180	BC	128mm	40mm	28mm	1
273098	BC	160mm	175mm	29mm	1
273831	BC	192mm	210mm	32mm	1
273097	BC	256mm	280mm	35mm	1
273832	BC	384mm	408mm	38mm	1
273833	BSN	128mm	40mm	28mm	1
273834	BSN	160mm	175mm	29mm	1
273837	BSN	192mm	210mm	32mm	1
273838	BSN	256mm	280mm	35mm	1
273839	BSN	384mm	408mm	38mm	1



Deluxe Handles


816


Item No.	Finish	Centres	Length	Height	UOM
273821	BC	128mm	136mm	26mm	1
273242	BC	192mm	200mm	26mm	1
272908	BC	256mm	264mm	26mm	1
273817	BSN	128mm	136mm	26mm	1
273284	BSN	192mm	200mm	26mm	1
273818	BSN	256mm	264mm	26mm	1
273819	MC	192mm	200mm	26mm	1
273820	MC	256mm	264mm	26mm	1
273822	BC/SW	192mm	200mm	26mm	1
273823	BC/SW	256mm	264mm	26mm	1

824


Item No.	Finish	Centres	Length	Height	UOM
273775	BC/BSN	160mm	208mm	29mm	1
273778	BC/BSN	224mm	272mm	29mm	1
273776	BC/BLK	160mm	208mm	29mm	1
273779	BC/BLK	224mm	272mm	29mm	1
273777	BSN/BLK	160mm	208mm	29mm	1
273780	BSN/BLK	224mm	272mm	29mm	1

828


Item No.	Finish	Centres	Length	Height	UOM
272944	BC/BSN	192mm	232mm	34mm	1
273769	BC/BLK	192mm	232mm	34mm	1
272925	BSN/BLK	192mm	232mm	34mm	1

818


Item No.	Finish	Centres	Length	Height	UOM
273808	BC/BSN	128mm	146mm	30mm	1
273431	BC/BSN	192mm	210mm	30mm	1
273432	BC/BSN	320mm	338mm	30mm	1
273807	BC/BLK	128mm	146mm	30mm	1
273805	BC/BLK	192mm	210mm	30mm	1
273806	BC/BLK	320mm	338mm	30mm	1
273809	BSN/BLK	128mm	146mm	30mm	1
273340	BSN/BLK	192mm	210mm	30mm	1
273341	BSN/BLK	320mm	338mm	30mm	1

825


Item No.	Finish	Centres	Length	Height	UOM
273770	BC	64mm	145mm	10mm	1
273773	BC	160mm	280mm	10mm	1
273266	BC	256mm	446mm	11mm	1
273771	BSN	64mm	145mm	10mm	1
273774	BSN	160mm	20mm	10mm	1
273772	BSN	256mm	446mm	11mm	1

829


Item No.	Finish	Centres	Length	Height	UOM
273147	BC	192mm	237mm	30mm	1
273146	BSN	192mm	237mm	30mm	1



Deluxe Handles

elite

837



BC/BLK BSN/BLK BSN/WH

Item No.	Finish	Centres	Length	Height	UOM
273848	BC/BLK	192mm	202mm	32mm	1
273849	BSN/BLK	192mm	202mm	32mm	1
273850	BSN/WH	192mm	202mm	32mm	1

842



BC BSN

Item No.	Finish	Centres	Length	Height	UOM
273758	BC	160mm	196mm	30mm	1
273759	BSN	160mm	196mm	30mm	1

Glamour Crystal Range

elite

"Add a little sparkle to your design"



H100 Handle



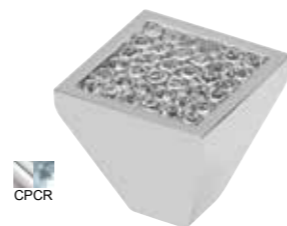
Item No.	Centres	Length	Height	UOM
192172	Knob	27mm	22mm	1
192169	64mm	99mm	21mm	1
192168	96mm	135mm	21mm	1

H120 Handle



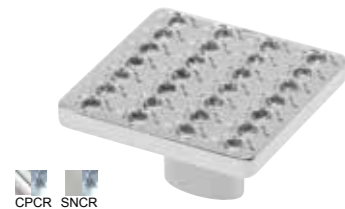
Item No.	Centres	Length	Height	UOM
192178	128mm	166mm	34mm	1
192183	192mm	230mm	34mm	1
192184	320mm	358mm	34mm	1

H500 Handle



Item No.	Length	Height	UOM
192186	25mm	23mm	1
192185	30mm	28.5mm	1

H510 Handle



Item No.	Finish	Length	Height	UOM
192188	CPCR	40mm	22.8mm	1
192191	SNCR	40mm	22.8mm	1

H130 Handle



Item No.	Centres	Length	Height	UOM
192192	96mm	104mm	22mm	1
192193	128mm	135mm	22mm	1
192194	160mm	170mm	22mm	1

H140 Handle



Item No.	Centres	Length	Height	UOM
192195	96mm	111mm	21mm	1
192197	128mm	142mm	23mm	1
192198	160mm	186mm	24.5mm	1

Glamour Crystal Range

elite

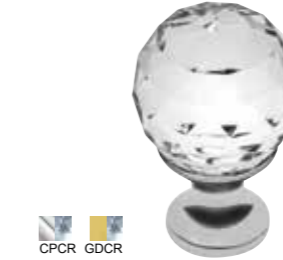
H150 Handle



CPCR

Item No.	Centres	Length	Height	UOM
192200	96mm	131mm	22.5mm	1
192201	128mm	163mm	23mm	1
192202	160mm	196mm	23.2mm	1
192203	192mm	228mm	23.5mm	1
192204	224mm	260mm	24.5mm	1
192205	256mm	292mm	25mm	1

H520 Handle



CPCR GDCR

Item No.	Length	Height	UOM
H520.20	20mm	33mm	1
H520.25	25mm	37mm	1
H520.30	30mm	44mm	1
H520.40	40mm	55mm	1

H530 Handle



CPCR GDCR

Item No.	Length	Height	UOM
H530.20	20mm	26mm	1
H530.25	25mm	28mm	1
H530.30	30mm	30mm	1
H530.40	40mm	38mm	1

H540 Handle



CPCR

Item No.	Centres	Length	Height	UOM
H540.30	Knob	30mm	47mm	1
H540.40	Knob	40mm	54mm	1

H160 Handle



CPCR

Item No.	Centres	Length	Height	UOM
H160.32	Knob	32mm	24mm	1
H160.64	Knob	64mm	24mm	1
H160.96	96	118mm	24mm	1



Contemporary Furniture Handles



Art Deco Handle



Item No.	Centres	Length	Height	Screw	UOM
H5020160	192mm	202mm	32mm	M4-32	1

Salassi Handle



Item No.	Centres	Length	Height	Screw	UOM
H9220192	192mm	236mm	28mm	M4-22	1

Veneti Handle



Item No.	Centres	Length	Height	Screw	UOM
H9240160	160mm	177mm	28mm	M4-22	1

Morini Handle



Item No.	Centres	Length	Height	Screw	UOM
H9210160	160mm	197mm	27mm	M4-22	1

Cadurci Handle



Item No.	Centres	Length	Height	Screw	UOM
H9230160	160mm	173mm	27mm	M4-22	1

Leuci Handle



Item No.	Centres	Length	Height	Screw	UOM
H9250160	160mm	218mm	31mm	M4-22	1
H9250320	320mm	377mm	31mm	M4-22	1

Contemporary Furniture Handles

Belli Handle



Item No.	Centres	Length	Height	Screw	UOM
H9260160	160mm	198mm	33mm	M4-62	1

Turodi Handle



Item No.	Centres	Length	Height	Screw	UOM
H9310160	160mm	183mm	28mm	M4-22	1

Treveri Handle



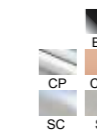
Item No.	Centres	Length	Height	Screw	UOM
H9330160	160mm	224mm	25mm	M4-22	1

Capori Handle



Item No.	Centres	Length	Height	Screw	UOM
H9350096	96mm	120mm	21mm	M4-22	1
H9350192	192mm	216mm	21mm	M4-22	1
H9350320	320mm	343mm	21mm	M4-22	1

Darini Handle



Item No.	Centres	Length	Height	Screw	UOM
H9270160	160mm	176mm	30mm	M4-22	1

Ambiani Handle



Item No.	Centres	Length	Height	Screw	UOM
H9320128	128mm	202mm	26mm	M4-22	1

Ruteni Handle



Item No.	Centres	Length	Height	Screw	UOM
H9360192	192mm	231mm	23mm	M4-22	1

Taurini Handle



Item No.	Centres	Length	Height	Screw	UOM
H9340032	32mm	120mm	24mm	M4-22	1
H9340064	64mm	240mm	24mm	M4-22	1

Contemporary Furniture Handles

Cotini Handle



Item No.	Centres	Length	Height	Screw	UOM
H9380128	128mm	148mm	25mm	M4-22	1

Rail Handle



Item No.	Centres	Length	Height	Screw	UOM
H4950160	160mm	200mm	34mm	M4-25	1
H4950320	320mm	360mm	34mm	M4-25	1

Bridge Handle



Item No.	Centres	Length	Height	Screw	UOM
H31650128	128mm	169mm	26mm	M4-25	1
H31650160	160mm	207mm	26mm	M4-25	1

Finishes SB and SCO only available in H31650160

Sculpt Handle



Item No.	Centres	Length	Height	Screw	UOM
H2740160	160mm	143mm	27mm	M4-22	1
H2740224	224mm	240mm	27mm	M4-22	1

Bauhaus Handle



Item No.	Centres	Length	Height	Screw	UOM
H4850160	160mm	177mm	39mm	M4-25	1
H4850320	320mm	336mm	39mm	M4-25	1

Bellingham Handle



Item No.	Centres	Length	Height	Screw	UOM
H20500192	192mm	207mm	28mm	M4-25	1

Halcyon Handle



Item No.	Centres	Length	Height	Screw	UOM
H2730128	128mm	171mm	24mm	M4-25	1
H2730160	160mm	203mm	24mm	M4-25	1

Tapered End Handle



Item No.	Centres	Length	Height	Screw	UOM
H2065160	160mm	202mm	32mm	M4-22	1

Contemporary Furniture Handles

Venturi D Handle



Item No.	Centres	Length	Height	Screw	UOM
H31500128	128mm	146mm	34mm	M4-62	1
H31500160	160mm	182mm	37mm	M4-62	1

Harris Pull Handle



Item No.	Centres	Length	Height	Screw	UOM
H5290128	128mm	155mm	26mm	M4-25	1
H5290160	160mm	186mm	26mm	M4-25	1
H5290192	192mm	219mm	26mm	M4-25	1

Aria Bow Handle



Item No.	Centres	Length	Height	Screw	UOM
H4215160	160mm	200mm	27mm	M4-25	1
H4215224	224mm	264mm	27mm	M4-25	1
H4215320	320mm	360mm	27mm	M4-25	1

Slim D Handle



Item No.	Centres	Length	Height	Screw	UOM
H3065128	128mm	163mm	25mm	M4-25	1
H3065160	160mm	193mm	26mm	M4-25	1
H3065192	192mm	225mm	26mm	M4-25	1
H3065256	256mm	288mm	26mm	M4-25	1

Chunky Arched Grip Handle



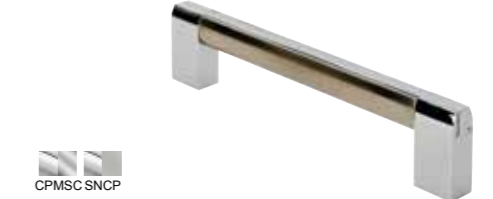
Item No.	Centres	Length	Height	Screw	UOM
H20800128	128mm	155mm	32mm	M4-62	1
H20800160	160mm	195mm	39.5mm	M4-62	1

Barra Pull Handle



Item No.	Centres	Length	Height	Screw	UOM
H47500128	128mm	146mm	30mm	M4-25	1

Solano Handle



Item No.	Centres	Length	Height	Screw	UOM
H4225160	160mm	172mm	36mm	M4-25	1
H4225224	224mm	236mm	36mm	M4-25	1
H4225320	320mm	332mm	36mm	M4-25	1
H4225448	448mm	460mm	36mm	M4-25	1

Ovenco Handle



Please note SN finish is not available in sizes 192 and 224.

Item No.	Centres	Length	Height	Screw	UOM
H4220160	160mm	240mm	35mm	M4-25	1
H4220192	192mm	272mm	35mm	M4-25	1
H4220224	224mm	314mm	35mm	M4-25	1
H4220320	320mm	410mm	35mm	M4-25	1

Contemporary Furniture Handles

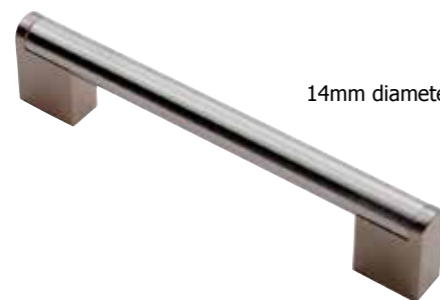
Reeded Handle



SN

Item No.	Centres	Length	Height	Screw	UOM
H6050128	128mm	151mm	39mm	M4-62	1

Bar Handle

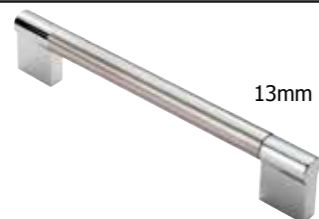


14mm diameter bar

SNSS

Item No.	Centres	Length	Height	Screw	UOM
H4750128	128mm	168mm	36mm	M4-25/62	1
H4750160	160mm	200mm	36mm	M4-25/62	1
H4750192	192mm	232mm	36mm	M4-25/62	1
H4750256	224mm	296mm	36mm	M4-25/62	1
H4750320	320mm	360mm	36mm	M4-25/62	1
H4750448	448mm	488mm	36mm	M4-25/62	1
H4750608	608mm	648mm	36mm	M4-25/62	1
H4750864	864mm	904mm	36mm	M4-25/62	1

Keyhole Handle

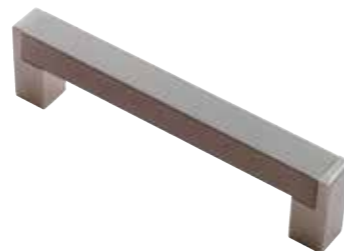


13mm diameter bar

SNCP

Item No.	Centres	Length	Height	Screw	UOM
H4700128	128mm	140mm	32mm	M4-25	1
H4700160	160mm	172mm	32mm	M4-25	1
H4700192	192mm	204mm	32mm	M4-25	1
H4700224	224mm	236mm	32mm	M4-25	1
H4700448	448mm	460mm	32mm	M4-25	1
H4700576	576mm	588mm	32mm	M4-25	1

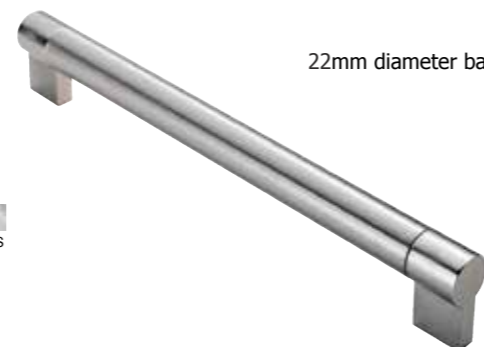
Square Section Handle



NB SN

Item No.	Centres	Length	Height	Screw	UOM
H3550128	128mm	143mm	37mm	M4-25	1
H3550160	160mm	175mm	37mm	M4-25	1
H3550192	192mm	207mm	37mm	M4-25	1
H3550224	224mm	239mm	37mm	M4-25	1
H3550320	320mm	335mm	37mm	M4-25	1
H3550448	448mm	463mm	37mm	M4-25	1

Keyhole Handle



22mm diameter bar

SNSS

Item No.	Centres	Length	Height	Screw	UOM
H4800160	160mm	184mm	43mm	M4-25	1
H4800256	256mm	280mm	43mm	M4-25	1
H4800352	352mm	376mm	43mm	M4-25	1
H4800448	448mm	472mm	43mm	M4-25	1
H4800608	608mm	632mm	43mm	M4-25	1

D Handle



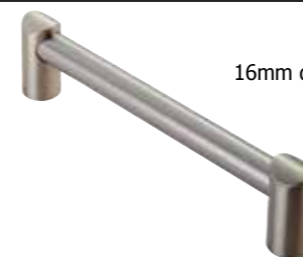
10mm diameter bar.
CP finish not available in 352.

CP SN

Item No.	Centres	Length	Height	Screw	UOM
H4600096	96mm	106mm	30mm	M4-62	1
H4600128	128mm	138mm	30mm	M4-62	1
H4600160	160mm	170mm	30mm	M4-62	1
H4600192	192mm	202mm	30mm	M4-62	1
H4600352	352mm	362mm	30mm	M4-62	1

Contemporary Furniture Handles

Bar Handle



16mm diameter bar

SN

Item No.	Centres	Length	Height	Screw	UOM
H6850160	160mm	180mm	41mm	M4-25	1
H6850224	224mm	244mm	41mm	M4-25	1

Rectangular Section T-Bar Handle



SS

Item No.	Centres	Length	Height	Screw	UOM
H2500128	128mm	200mm	30mm	M4-25	1
H2500160	160mm	232mm	30mm	M4-25	1
H2500224	224mm	296mm	30mm	M4-25	1

Large Infinity Handle



CP SN

Item No.	Centres	Length	Height	Screw	UOM
H2095224	224mm	264mm	25mm	M4-25	1

Curva Bow Handle



SN

Item No.	Centres	Length	Height	Screw	UOM
H3160160	160mm	170mm	24mm	M4-25	1
H3160224	224mm	238mm	34mm	M4-25	1

Rectangular Section D Handle



SS

Item No.	Centres	Length	Height	Screw	UOM
H2550128	128mm	136mm	30mm	M4-25	1
H2550160	160mm	168mm	30mm	M4-25	1
H2550192	192mm	200mm	30mm	M4-25	1
H2550224	224mm	232mm	30mm	M4-25	1

L Section Pull Handle



CP SN

Item No.	Centres	Length	Height	Screw	UOM
H2090160	160mm	176mm	22mm	M4-25	1
H2090224	224mm	240mm	22mm	M4-25	1

Shoe Tree Handle



SN

Item No.	Centres	Length	Height	Screw	UOM
H2060128	128mm	205mm	28mm	M4-25	1
H2060160	160mm	235mm	32mm	M4-25	1

Solo Handle



SN

Item No.	Centres	Length	Height	Screw	UOM
H3440128	128mm	154mm	26mm	M4-25	1

Contemporary Furniture Handles
Radiused End Flat Bow Handle


SN

Item No.	Centres	Length	Height	Screw	UOM
H2035128	128mm	144mm	24mm	M4-25	1
H2035160	160mm	173mm	26mm	M4-25	1

Dimple Effect Curved Handle


SN

Item No.	Centres	Length	Height	Screw	UOM
H2300096	96mm	122mm	27mm	M4-23	1
H2300128	128mm	156mm	27mm	M4-23	1

Curved Convex Grip Handle


CP SN

Item No.	Centres	Length	Height	Screw	UOM
H2700128	128mm	146mm	28mm	M4-62	1

Waisted Bow Handle


SN

Item No.	Centres	Length	Height	Screw	UOM
H2010128	128mm	142mm	28mm	M4-25	1
H2010224	224mm	288mm	33mm	M4-25	1

Quadra Bow Handle


CP SN

Item No.	Centres	Length	Height	Screw	UOM
H2720096	96mm	120mm	26mm	M4-62	1
H2720128	128mm	162mm	29mm	M4-62	1

Concave Bow Handle


CP SN

Item No.	Centres	Length	Height	Screw	UOM
H2040128	128mm	162mm	24mm	M4-25	1
H2040160	160mm	202mm	30mm	M4-25	1

Valetta Bow Handle


SN

Item No.	Centres	Length	Height	Screw	UOM
H3170192	192mm	219mm	27mm	M4-25	1
H3170320	320mm	338mm	29mm	M4-25	1

Twisted Bow Handle


SN

Item No.	Centres	Length	Height	Screw	UOM
H2025128	128mm	162mm	30mm	M4-25	1

Contemporary Furniture Handles
Bow Handle


10mm diameter bar

CP MSC SN

Item No.	Centres	Length	Height	Screw	UOM
H4500096	96mm	119mm	30mm	M4-25	1
H4500128	128mm	153mm	31mm	M4-25	1
H4500160	160mm	190mm	32mm	M4-25	1
H4500192	192mm	226mm	32mm	M4-25	1
H4500224	224mm	256mm	32mm	M4-25	1
H4500288	288mm	338mm	33mm	M4-25	1
H4500320	320mm	372mm	36mm	M4-25	1
H4500352	352mm	408mm	38mm	M4-25	1

Platypus Bow Handle


CP SN

Item No.	Centres	Length	Height	Screw	UOM
H3430128	128mm	166mm	30mm	M4-25	1

Waisted Flat Bow Handle


SN

Item No.	Centres	Length	Height	Screw	UOM
H3800096	96mm	140mm	23mm	M4-25	1
H3800128	128mm	182mm	25mm	M4-25	1

Mini T-Bar Handle


CP MSC SN

Item No.	Centres	Length	Height	Screw	UOM
H4440064	64mm	100mm	26mm	M4-25	1

Steel T-Bar Handle

12mm diameter bar
 CP only available in 96-352,
 448 & 608
 SC not available in 192, 224,
 288, 352, 448 and 608.
 960 & 1024 have centre
 support.



CP SC SN

Item No.	Centres	Length	Height	Screw	UOM
H4450096	96mm	156mm	35mm	M4-25	1
H4450128	128mm	188mm	35mm	M4-25	1
H4450160	160mm	220mm	35mm	M4-25	1
H4450192	192mm	252mm	35mm	M4-25	1
H4450224	224mm	284mm	35mm	M4-25	1
H4450288	288mm	348mm	35mm	M4-25	1
H4450352	352mm	412mm	35mm	M4-25	1
H4450384	384mm	444mm	35mm	M4-25	1
H4450448	448mm	508mm	35mm	M4-25	1
H4450512	512mm	572mm	35mm	M4-25	1
H4450608	608mm	668mm	35mm	M4-25	1
H4450640	640mm	700mm	35mm	M4-25	1
H4450768	768mm	828mm	35mm	M4-25	1
H4450864	864mm	924mm	35mm	M4-25	1
H4450960	960mm	1020mm	35mm	M4-25	1
H44501024	1024mm	1084mm	35mm	M4-25	1

Stainless Steel T-Bar Handle


SS

Item No.	Centres	Length	Height	Screw	UOM
H4100096	96mm	156mm	30mm	M4-25	1
H4100128	128mm	188mm	30mm	M4-25	1
H4100160	160mm	220mm	30mm	M4-25	1

Contemporary Furniture Knobs

Remi Knob



Item No.	Knob	Rose	Height	Screw	UOM
H9280042	42mm	15mm	26mm	M4-22	1

Carvetii Knob



Item No.	Knob	Rose	Height	Screw	UOM
H9370032	32mm	50mm	21mm	M4-22	1

Small Infinity Knob



Item No.	Knob	Rose	Height	Screw	UOM
H2095032	32mm	54.5mm	27mm	M4-25	1

Trumpet Knob



Item No.	Knob	Rose	Height	Screw	UOM
H3770025	25mm	10mm	32mm	M4-25	1

Serdi Knob



Item No.	Knob	Rose	Height	Screw	UOM
H9290044	44x44mm	15x15mm	25mm	M4-22	1

Cassi Knob



Item No.	Knob	Rose	Height	Screw	UOM
H9300032	32mm	46mm	20mm	M4-22	1

Disc Knob



Item No.	Knob	Rose	Height	Screw	UOM
H5230027	27mm	11mm	23mm	M4-25	1

Oval Pattern Knob



Item No.	Knob	Rose	Height	Screw	UOM
H2450034	34mm	14mm	32mm	M4-25	1

Contemporary Furniture Knobs

Oval Knob



Item No.	Knob	Rose	Height	Screw	UOM
H2550037	37x19mm	11x17mm	22mm	M4-25	1

Barra Knob



Item No.	Knob	Rose	Height	Screw	UOM
H251	36mm	38mm	28mm	M4-25	1

Elias Knob



Item No.	Knob	Rose	Height	Screw	UOM
H3570	-	41x20mm	24mm	25mm	1

Meridian Knob



Item No.	Knob	Rose	Height	Screw	UOM
H3470050	50mm	20mm	25mm	M4-25	1

Lewis Knob



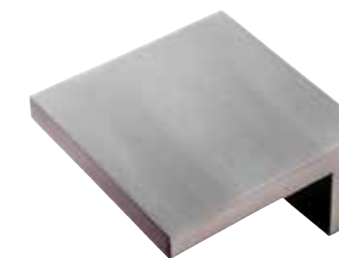
Item No.	Knob	Rose	Height	Screw	UOM
H429	28mm	9mm	23mm	M4-25	1

Marin Knob



Item No.	Knob	Rose	Height	Screw	UOM
H40450038	-	38x38mm	21mm	25mm	1

Gamma Knob



Item No.	Knob	Rose	Height	Screw	UOM
H4025	32mm	48x48mm	23mm	M4-25	1

Helio Knob



Item No.	Knob	Rose	Height	Screw	UOM
H3565	16mm	32x30mm	24mm	M4-25	1

Contemporary Furniture Knobs

Square Knob



SN

Item No.	Knob	Height	Screw	UOM
H2525018	18x18mm	25mm	M4-25	1
H2525022	22x22 mm	30mm	M4-25	1

Anderson Knob



PN/SN

Item No.	Knob	Rose	Height	Screw	UOM
H7200032	32mm	32mm	33mm	M4-25	1
H7200038	38mm	38mm	39mm	M4-25	1
H7200042	42mm	42mm	43mm	M4-25	1

Hollow Victorian Knob



CP PB SC

Item No.	Knob	Rose	Height	Screw	UOM
H12650032	32mm	33mm	38mm	25 & 62	1
H12650038	38mm	36mm	42mm	25 & 62	1

Silhouette Knob



CP SN

Item No.	Knob	Rose	Height	Screw	UOM
H3460029	29mm	22mm	25mm	M4-25	1

Art Deco Knob



CP SN

Item No.	Knob	Rose	Height	Screw	UOM
H5010030	30x20mm	11mm	27mm	M4-25	1

Delamain Ringed Knob



SN CP FB MSC

Item No.	Knob	Rose	Height	Screw	UOM
HK490028	28mm	30mm	29mm	M4-25/62	1
HK490035	35mm	38mm	36mm	M4-25/62	1

Oxford Knob



CP SN GM

Item No.	Knob	Rose	Height	Screw	UOM
H524038	38mm	25mm	26mm	M4-25	1

Contemporary & Classic Furniture Knobs

Shaker Style Knob



CP SN

Item No.	Knob	Rose	Height	Screw	UOM
H5250029	29mm	16mm	22mm	M4-25/62	1
H5250035	35mm	19mm	26mm	M4-25/62	1

Classical Victorian Knob



ABB CP PB

Item No.	Knob	Rose	Height	Screw	UOM
HL470025	25mm	30mm	27mm	M4-25/62	1
HL470032	32mm	37mm	31mm	M4-25/62	1
HL470038	38mm	42mm	36mm	M4-25/62	1
HL470045	45mm	47mm	44.5mm	M4-25/62	1
HL470051	51mm	53.5mm	46.5mm	M4-25/62	1

Reeded Knob With Final Ears



SN NB

Item No.	Knob	Rose	Height	Screw	UOM
H6000070	70x26mm	26mm	46mm	M4-62	1

Delamain Plain Knob

PT SC CP FB PB

Item No.	Knob	Rose	Height	Screw	UOM
HK470025	25mm	32mm	30mm	M4-62	1
HK470030	30mm	38mm	36mm	M4-62	1
HK470038	38mm	48mm	45mm	M4-62	1

Delamain Flower Knob



CP

Item No.	Knob	Rose	Height	Screw	UOM
HK4800027	27	32	33	62	1
HK4800032	32	38	39	62	1

Victorian Knob



CP SN PB
SC SSE

Item No.	Knob	Rose	Height	Screw	UOM
HM470025	25mm	25mm	25mm	M4-25/62	1
HM470032	32mm	32mm	32mm	M4-25/62	1
HM470038	38mm	38mm	38mm	M4-25/62	1
HM470042	42mm	42mm	42mm	M4-25/62	1
HM470050	50mm	50mm	48mm	M4-25/62	1

Dimple Effect Knob



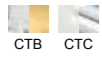
CP SN

Item No.	Knob	Rose	Height	Screw	UOM
H2350033	33mm	14mm	27mm	M4-25	1



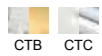
Contemporary Furniture Knobs

Lead Crystal Clear Ball Knob



Item No.	Knob	Rose	Height	Screw	UOM
H6900027	27mm	28mm	40mm	M4-25	1
H6900034	34mm	28mm	46mm	M4-25	1

Lead Crystal Clear Faceted Knob



Item No.	Knob	Rose	Height	Screw	UOM
H6700025	25mm	18mm	36mm	M4-25	1
H6700030	30mm	21mm	42mm	M4-25	1
H6700035	35mm	21mm	47mm	M4-25	1
H6700040	40mm	23mm	51mm	M4-25	1

Round Crystal Knob



Item No.	Knob	Rose	Height	Screw	UOM
H77034	34mm	18mm	36mm	M4-25	1

Square Crystal Knob

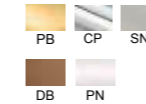


Item No.	Knob	Rose	Height	Screw	UOM
H790032	-	32x32mm	31mm	M4-25	1
H790038	-	38x38mm	37mm	M4-25	1



Contemporary Cup Pulls

Victorian Cup Pull



Item No.	Centres	Length	Height	Screw	UOM
HC4700076	76mm	92mm	25mm	M4-25	1

Oxford Cup Pull



Item No.	Centres	Length	Height	Screw	UOM
H5580076	76mm	92mm	20mm	M4-25	1

Cup Handle



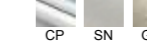
Item No.	Centres	Length	Height	Screw	UOM
H5560064	64mm	87mm	25mm	25mm	1

Hidden Finger Pull



Item No.	Length	Screw	UOM
H3015025	25 x 48 x 2mm	18 (Slotted)	1
H3015050	50 x 48 x 2mm	18 (Slotted)	1
H3015075	75 x 48 x 2mm	18 (Slotted)	1

Cottage Cup Pull



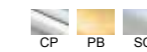
Item No.	Centres	Length	Height	Screw	UOM
H5570076	76mm	94mm	24mm	M4-25	1

Modern Shaker Cup Pull



Item No.	Centres	Length	Height	Screw	UOM
H5590096	96mm	125mm	24mm	M4-25	1

Flush Pull



Item No.	Length	Screw	UOM
HQ900102	102x45mm	0 (Slotted)	1

Rectangular Flush Pull



Item No.	Length	Screw	UOM
HP10000102	102x45mm	0 (Slotted)	1

FINGERTIP
CARLISLE BRASS

Contemporary Cup Pulls

Radius Flush Pull



BSS SSS

Item No.	Length	Screw	UOM
H10010120	120x41mm	0 (Slotted)	1

Circular Flush Pull



BSS SSS

Item No.	Length	Screw	UOM
HH1004090	90mm	0 (Slotted)	1

Circular Flush Pull



BSS SSS

Item No.	Length	Screw	UOM
HH1002050	50mm	0 (Slotted)	1
HH1002080	80mm	0 (Slotted)	1

FINGERTIP
CARLISLE BRASS

Traditional Furniture Handles

"Classic designs for a number of applications"



Hammered Fleur De Lys Handle



BA PE

Item No.	Centres	Length	Height	Screw	UOM
H10680102	102mm	151mm	33mm	M4-27	1

Dimpled Fleur De Lys Handle



BA PE

Item No.	Centres	Length	Height	Screw	UOM
H10680102	102mm	148mm	39mm	M4-27	1

FINGERTIP
CARLISLE BRASS

Traditional Furniture Handles

Gothic D Handle



BW

Item No.	Centres	Length	Height	Screw	UOM
H55840081	81mm	106mm	29mm	M4-20	1
H55840112	112mm	150mm	42mm	M4-20	1
H55840175	175mm	200mm	50mm	M4-20	1

Stepped Edge Bow Handle



ABB AS SN

Item No.	Centres	Length	Height	Screw	UOM
H5050076	76mm	128mm	24mm	M4-62	1

Shaker Style Handle



CP SB SN

Item No.	Centres	Length	Height	Screw	UOM
H5200076	76mm	128mm	26mm	M4-62	1

Steel Cage Fixed Handle



AS

Item No.	Centres	Length	Height	Screw	UOM
H1240128	128mm	136mm	39mm	M4-25	1
H1240160	160mm	168mm	39mm	M4-25	1

Bean D Handle



BW

Item No.	Centres	Length	Height	Screw	UOM
H5570079	79mm	104mm	30mm	M4-20	1
H5570109	109mm	148mm	43mm	M4-20	1
H5570186	186mm	205mm	58mm	M4-20	1

Curved Pattern Handle



ABB AB PT

Item No.	Centres	Length	Height	Screw	UOM
H5100076	76mm	137mm	25mm	M4-62	1

Shaker Handle



SN

Item No.	Centres	Length	Height	Screw	UOM
H5650096	96mm	130mm	23mm	M4-25	1

Steel Cage Drop Handle

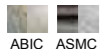


AS

Item No.	Centres	Length	Height	Screw	UOM
H1250128	128mm	142mm	26mm	M4-25	1

Traditional Furniture Handles

Crackle Glaze Porcelain Handle



Item No.	Centres	Length	Height	Screw	UOM
H6050128	128mm	151mm	39mm	M4-62	1

Hammered Effect Handle



Item No.	Centres	Length	Height	Screw	UOM
H5542128	128mm	154mm	28mm	M4-25	1

Dimple Effect Handle



Item No.	Centres	Length	Height	Screw	UOM
H5532128	128mm	154mm	35mm	M4-25	1

Traditional Furniture Knobs

"Stylish, elegant handles for cabinets and drawers"



Hammered Finish Knob



Item No.	Knob	Rose	Height	Screw	UOM
H58500032	32mm	17mm	27mm	M4-62	1
H58500038	38mm	20mm	30mm	M4-62	1

Hammered Oval Knob



Item No.	Knob	Rose	Height	Screw	UOM
H10960038	38x28mm	26mm	39mm	M4-25	1

Traditional Furniture Knobs

Beaten Knob



Item No.	Knob	Height	Screw	UOM
HBW10780022	22mm	21mm	M4-25	1
HBW10780030	30mm	25mm	M4-25	1
HBW10780040	40mm	34mm	M4-25	1

Solid Bronze Cottage Knob



Item No.	Knob	Rose	Height	Screw	UOM
H12750038	38mm	35mm	34mm	M4-25	1

Temperance Knob



Item No.	Knob	Rose	Height	Screw	UOM
H5210035	35mm	23mm	27mm	M4-25	1

Cupboard Knob



Item No.	Knob	Rose	Height	Screw	UOM
HPE10780022	22mm	13mm	31mm	M4-25	1
HPE10780030	30mm	16mm	40mm	M4-25	1
HPE10780040	40mm	21mm	40mm	M4-25	1

Porcelain Knob



Item No.	Knob	Rose	Height	Screw	UOM
H620030	30mm	28mm	28mm	M4-62	1
H620036	36mm	31mm	32mm	M4-62	1
H620045	45mm	40mm	40mm	M4-62	1

Solid Bronze Mushroom Knob



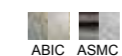
Item No.	Knob	Rose	Height	Screw	UOM
H12700030	30mm	19mm	30mm	M4-25	1

Arcadian Knob



Item No.	Knob	Rose	Height	Screw	UOM
H5220030	30x30mm	20x20mm	25mm	M4-25	1

Crackle Glaze Porcelain Knob



Item No.	Knob	Rose	Height	Screw	UOM
H6000070	70x26mm	26mm	46mm	M4-62	1

Traditional Furniture Knobs

Porcelain Mushroom Pattern Knob



Item No.	Knob	Rose	Height	Screw	UOM
H6300035	35mm	26mm	33mm	M4-62	1
H6300045	45mm	33mm	43mm	M4-62	1

ASMC and CPMC finishes are not available in H6300045mm

Queen Anne Knob



Item No.	Knob	Rose	Height	Screw	UOM
H1003023	23mm	25mm	33mm	M4-25/62	1
H1003028	28mm	30mm	41mm	M4-25/62	1
H1003035	35mm	38mm	51mm	M4-25/62	1

Hammered Effect Square Knob



Item No.	Knob	Rose	Height	Screw	UOM
H5540032	32x32mm	12mm	23mm	M4-25	1

Steel Cage Mushroom Knob



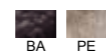
Item No.	Knob	Rose	Height	Screw	UOM
H1220034	34mm	12mm	31mm	M4-25	1
H1220044	44mm	14mm	40mm	M4-25	1

Traditional Pattern Knob



Item No.	Knob	Rose	Height	Screw	UOM
H5150034	34mm	20mm	26mm	M4-25/62	1

Hammered Pattern Ball Knob



Item No.	Knob	Rose	Height	Screw	UOM
H10780032	32mm	37mm	42mm	M4-62	1

Dimpled Effect Square Knob



Item No.	Knob	Rose	Height	Screw	UOM
H5530032	32x32mm	12mm	25mm	M4-25	1

Steel Cage Oval Knob



Item No.	Knob	Rose	Height	Screw	UOM
H1230055	55mm	12mm	33mm	M4-25	1
H1230065	65mm	14mm	35mm	M4-25	1

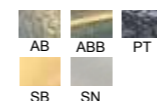
Traditional Cup Pulls

Oval Plate Cup Handle



Item No.	Centres	Length	Height	Screw	UOM
H55150085	85mm	104mm	26mm	M4-15	1

Traditional Cup Handle



Item No.	Centres	Length	Height	Screw	UOM
H5550064	64mm	104mm	25mm	M4-62	1

Square Plate Cup Handle



Item No.	Centres	Length	Height	Screw	UOM
H55200079	79x25mm	90x40mm	24mm	M4-15	1



Oval Plate Cup Handle



Square Plate Cup Handle

Eco Handles



H70095 Handle



Item No.	Centres	Length	Height	Screw	UOM
H70095	64mm	74mm	26mm	M4-25	1
H70095	96mm	105mm	26mm	M4-25	1
H70095	160mm	169mm	26mm	M4-25	1
H70095	192mm	201mm	26mm	M4-25	1

70309 Handle



Item No.	Centres	Length	Height	Screw	UOM
H70309	160mm	190mm	25mm	M4-25	1
H70309	224mm	225mm	25mm	M4-25	1

H71084 Handle



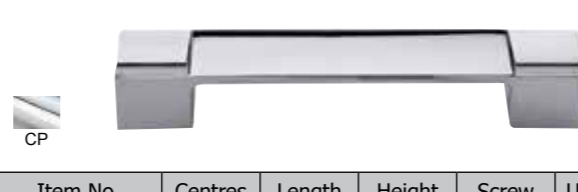
Item No.	Centres	Length	Height	Screw	UOM
H71084	128mm	150mm	19mm	M4-25	1
H71084	160mm	200mm	19mm	M4-25	1
H71084	192mm	250mm	19mm	M4-25	1

H70719 Handle



Item No.	Centres	Length	Height	Screw	UOM
H70719	96mm	137mm	24mm	M4-25	1
H70719	128mm	172mm	25mm	M4-25	1

H70503 Handle



Item No.	Centres	Length	Height	Screw	UOM
H70503	128mm	152mm	23.5mm	M4-25	1
H70503	160mm	184mm	23.5mm	M4-25	1
H70503	192mm	216mm	23.5mm	M4-25	1
H70503	224mm	248mm	23.5mm	M4-25	1
H70503	256mm	280mm	23.5mm	M4-25	1

H71024 Handle



Item No.	Centres	Length	Height	Screw	UOM
H71024	128mm	150mm	20mm	M4-25	1
H71024	160mm	200mm	20mm	M4-25	1
H71024	192mm	250mm	20mm	M4-25	1

H71120 Handle



Item No.	Centres	Length	Height	Screw	UOM
H71120	96mm	138mm	35mm	M4-25	1
H71120	128mm	170mm	35mm	M4-25	1
H71120	160mm	202mm	36mm	M4-25	1
H71120	192mm	234mm	36mm	M4-25	1
H71120	320mm	365mm	36mm	M4-25	1

Eco Handles



T Bar Handle



Item No.	Centres	Length	Height	Screw	UOM
111025	96mm	176mm	35mm	M4-25	1
111027	128mm	208mm	35mm	M4-25	1
111028	160mm	240mm	35mm	M4-25	1
111029	192mm	272mm	35mm	M4-25	1
111030	240mm	320mm	35mm	M4-25	1
111031	288mm	368mm	35mm	M4-25	1
111032	320mm	400mm	35mm	M4-25	1
111033	384mm	464mm	35mm	M4-25	1
111034	450mm	530mm	35mm	M4-25	1
111035	520mm	600mm	35mm	M4-25	1
111036	646mm	726mm	35mm	M4-25	1
111037	784mm	864mm	35mm	M4-25	1
111038	900mm	980mm	35mm	M4-25	1
111026	1125mm	1205mm	35mm	M4-25	1

Dimple Effect Handle



Item No.	Centres	Length	Height	Screw	UOM
267169	96mm	120mm	27mm	M4-25	1
267170	128mm	152mm	27mm	M4-25	1

C Type Handle



Item No.	Centres	Length	Height	Screw	UOM
267179	128mm	186mm	32mm	M4-25	1
267180	192mm	250mm	32mm	M4-25	1
267181	224mm	282mm	32mm	M4-25	1

D Type Handle



Item No.	Centres	Length	Height	Screw	UOM
111012	96mm	104mm	30mm	M4-25	1
111013	128mm	136mm	30mm	M4-25	1

Bar Handle



Item No.	Centres	Length	Height	Screw	UOM
267172	128mm	142mm	36mm	M4-25	1
267173	192mm	206mm	36mm	M4-25	1
267174	256mm	270mm	36mm	M4-25	1
267175	288mm	302mm	36mm	M4-25	1
267176	320mm	334mm	36mm	M4-25	1

Bow Handle



Item No.	Centres	Length	Height	Screw	UOM
110991	96mm	110mm	30mm	M4-25	1
110992	128mm	142mm	31mm	M4-25	1
110995	288mm	302mm	33mm	M4-25	1
110996	384mm	398mm	38mm	M4-25	1

Eco Handles

H70304 Handle



Item No.	Centres	Length	Height	Screw	UOM
H70304	96mm	120mm	25.5mm	M4-25	1
H70304	128mm	153mm	25.5mm	M4-25	1
H70304	160mm	190mm	25.5mm	M4-25	1
H70304	192mm	224mm	25.5mm	M4-25	1
H70304	224mm	256mm	25.5mm	M4-25	1
H70304	256mm	288mm	25.5mm	M4-25	1
H70304	288mm	320mm	25.5mm	M4-25	1
H70304	320mm	352mm	25.5mm	M4-25	1

H71030 Handle



Item No.	Centres	Length	Height	Screw	UOM
283644	128mm	148mm	29.5mm	M4-25	1
283645	160mm	180mm	29.5mm	M4-25	1
283646	192mm	212mm	29.5mm	M4-25	1

H71017 Handle



Item No.	Centres	Length	Height	Screw	UOM
283629	128mm	178mm	32mm	M4-25	1
283630	160mm	210mm	32mm	M4-25	1
283631	192mm	242mm	32mm	M4-25	1

H70204 Handle



Item No.	Centres	Length	Height	Screw	UOM
H70204	64mm	98mm	23mm	M4-25	1
H70204	96mm	134mm	23mm	M4-25	1
H70204	128mm	170mm	23mm	M4-25	1

Sparkling Slim D Handle



Item No.	Centres	Length	Height	Screw	UOM
278441	160mm	200mm	25mm	M4-25	1
278440	192mm	200mm	25mm	M4-25	1

H70596 Handle



Item No.	Centres	Length	Height	Screw	UOM
H70596	128mm	150mm	31mm	M4-25	1
H70596	160mm	182mm	31mm	M4-25	1
H70596	192mm	214mm	31mm	M4-25	1

Eco Knobs

H70802 Handle



Item No.	Knob	Rose	Height	Screw	UOM
H70802	-	24mm	22mm	M4-25	1
H70802	-	30mm	25.5mm	M4-25	1

H70368 Handle



Item No.	Knob	Rose	Height	Screw	UOM
H70368	-	32mm	24mm	M4-25	1

H70504 Handle



Item No.	Knob	Rose	Height	Screw	UOM
H70504	-	39mm	24mm	M4-25	1

Contemporary Knob



Item No.	Knob	Rose	Height	Screw	UOM
267182	-	24mm	25mm	M4-25	1

H70803 Handle



Item No.	Knob	Rose	Height	Screw	UOM
H70803	-	40mm	27.5mm	M4-25	1

H70391 Handle



Item No.	Knob	Rose	Height	Screw	UOM
H70391	-	32mm	24mm	M4-25	1

H70833 Handle



Item No.	Knob	Rose	Height	Screw	UOM
H70833	-	39mm	24mm	M4-25	1

Dimple Effect Knob Handle



Item No.	Knob	Rose	Height	Screw	UOM
267171	-	39mm	24mm	M4-25	1

Eco Knobs



H7002 Handle



Item No.	Knob	Rose	Height	Screw	UOM
H7002	-	24mm	40mm	M4-25	1

H70161 Handle



Item No.	Knob	Rose	Height	Screw	UOM
H70161	-	30mm	28mm	M4-25	1
H70161	-	40mm	32mm	M4-25	1
H70161	-	50mm	39mm	M4-25	1
H70161	-	60mm	45mm	M4-25	1

H70205 Handle



Item No.	Knob	Rose	Height	Screw	UOM
H70205	23mm	16mm	25mm	M4-25	1

H70219 Handle



Item No.	Knob	Rose	Height	Screw	UOM
H70219	-	32mm	24mm	M4-25	1

H70160 Handle



Item No.	Knob	Rose	Height	Screw	UOM
H70160	-	20mm	30mm	M4-25	1
H70160	-	30mm	38mm	M4-25	1
H70160	-	40mm	50mm	M4-25	1
H70160	-	50mm	60mm	M4-25	1
H70160	-	60mm	69mm	M4-25	1

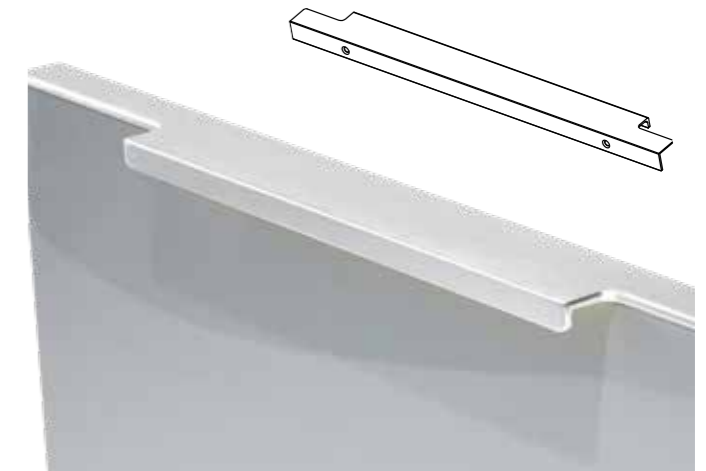
Eco Profile Handle



Straight Profile



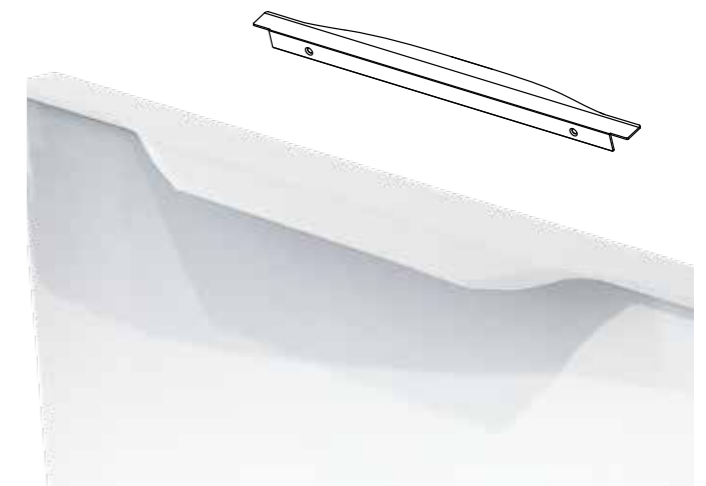
Item No.	Length	Width	Height	UOM
H71412	145mm	36mm	18mm	1
H71412	295mm	36mm	18mm	1
H71412	395mm	36mm	18mm	1
H71412	445mm	36mm	18mm	1
H71412	495mm	36mm	18mm	1
H71412	595mm	36mm	18mm	1
H71412	795mm	36mm	18mm	1
H71412	895mm	36mm	18mm	1
H71412	995mm	36mm	18mm	1
H71412	1095mm	36mm	18mm	1
H71412	1195mm	36mm	18mm	1



Angled Profile



Item No.	Length	Width	Height	UOM
H71425	145mm	38mm	18mm	1
H71425	295mm	38mm	18mm	1
H71425	395mm	38mm	18mm	1
H71425	445mm	38mm	18mm	1
H71425	495mm	38mm	18mm	1
H71425	595mm	38mm	18mm	1
H71425	795mm	38mm	18mm	1
H71425	895mm	38mm	18mm	1
H71425	995mm	38mm	18mm	1
H71425	1095mm	38mm	18mm	1
H71425	1195mm	38mm	18mm	1

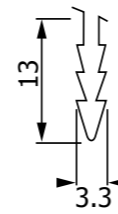
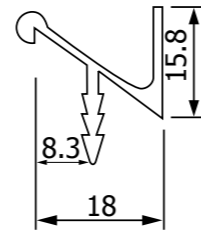


Edge Handle Profiles



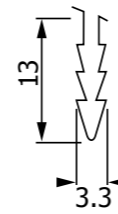
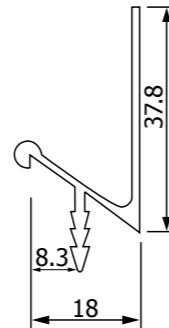
LKW - 1 Edge Handle Profile

Item No.	Size	Pack Qty	UOM
262129	2.75 metres	10	1



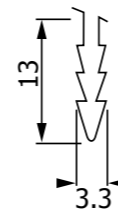
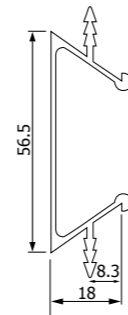
LKW - 2 Edge Handle Profile

Item No.	Size	Pack Qty	UOM
262130	2.75 metres	10	1



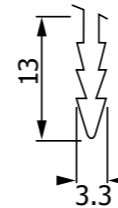
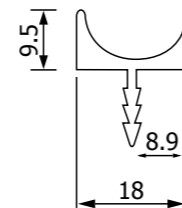
LKW - 3 Edge Handle Profile

Item No.	Size	Pack Qty	UOM
262131	2.75 metres	10	1



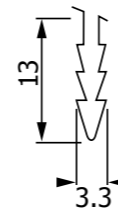
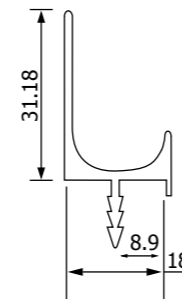
LKW - 4 Edge Handle Profile

Item No.	Size	Pack Qty	UOM
262132	2.75 metres	10	1



LKW - 5 Edge Handle Profile

Item No.	Size	Pack Qty	UOM
262133	2.75 metres	10	1

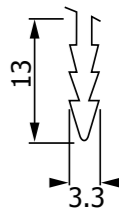
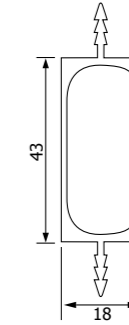


Edge Handle Profiles



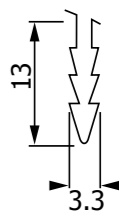
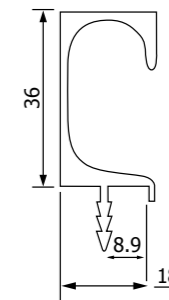
LKW - 6 Edge Handle Profile

Item No.	Size	Pack Qty	UOM
262134	2.75 metres	10	1



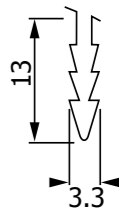
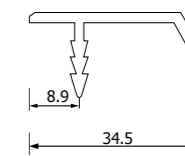
LKW - 7 Edge Handle Profile

Item No.	Size	Pack Qty	UOM
262135	2.75 metres	10	1



LKW - 10 Edge Handle Profile

Item No.	Size	Pack Qty	UOM
262136	2.75 metres	10	1





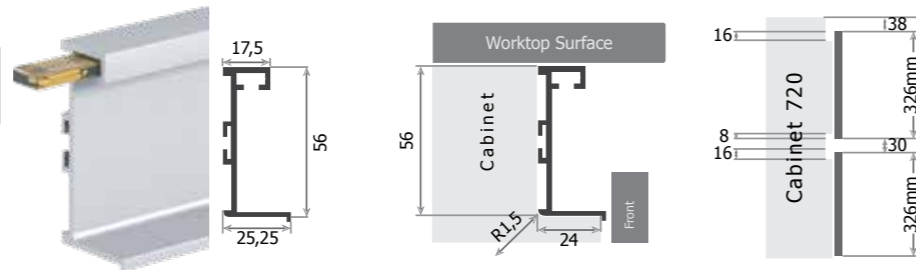
Furniture Profiles - Handle-less Doors

elite

L - Type Profile

Item No.	Size	Pack Qty	UOM
273865	4 metres	8	1

- * Available in 4 metre lengths.
- * Flexible LED strip can be used with this profile - see page 183 (8mm only).



L - Type End Caps

Left Hand

Item No.	Pack Qty	UOM
273940	50	1

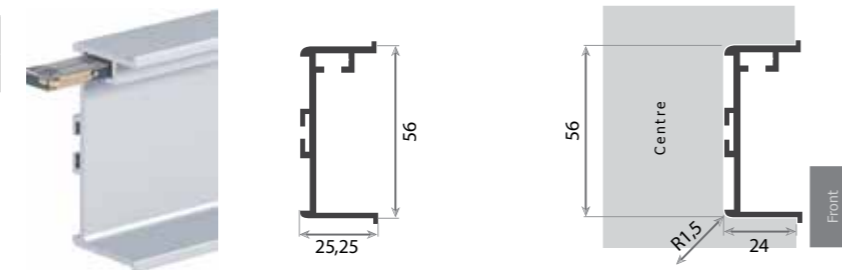
Right Hand

Item No.	Pack Qty	UOM
273941	50	1

C - Type Profile

Item No.	Size	Pack Qty	UOM
273856	4 metres	8	10

- * Available in 4 metre lengths.
- * Flexible LED strip can be used with this profile - see page 183 (8mm only).



C - Type End Caps

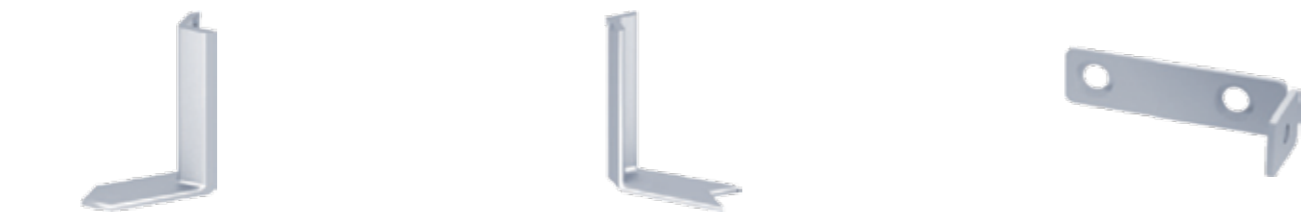
Left Hand

Item No.	Pack Qty	UOM
273942	50	1

Right Hand

Item No.	Pack Qty	UOM
273943	50	1

Accessories



90° External Corner

Item No.	Pack Qty	UOM
273867	50	1

90° Internal Corner

Item No.	Pack Qty	UOM
274505	50	1

Fixing Bracket

Item No.	Pack Qty	UOM
273866	50	1



Furniture Profiles - Handle-less Doors

elite

Wall Unit Profile

Item No.	Size	Pack Qty	UOM
274245	4 metres	8	1

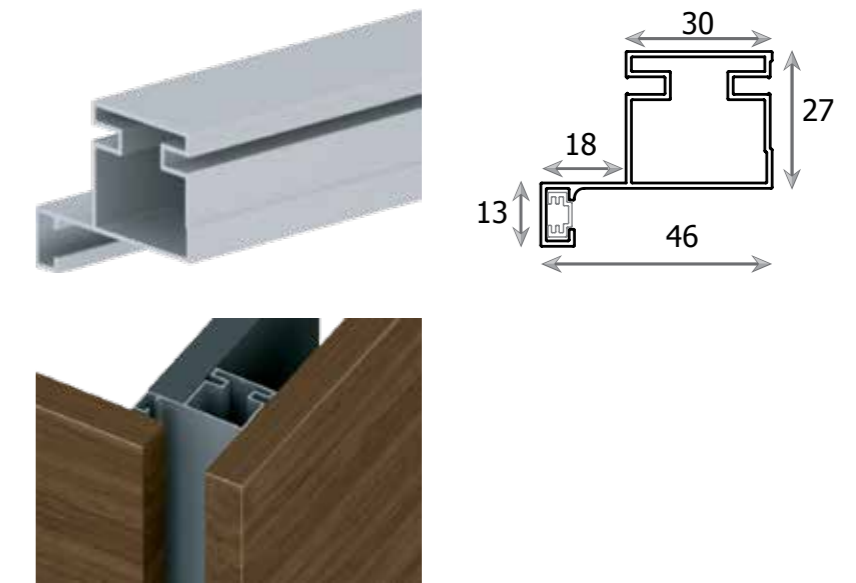
- * Available in 4 metre lengths.
- * Flexible LED strip can be used with this profile - see page 183 (8mm only).



Vertical Profile 1

Item No.	Size	Pack Qty	UOM
274246	2.4 metres	8	1

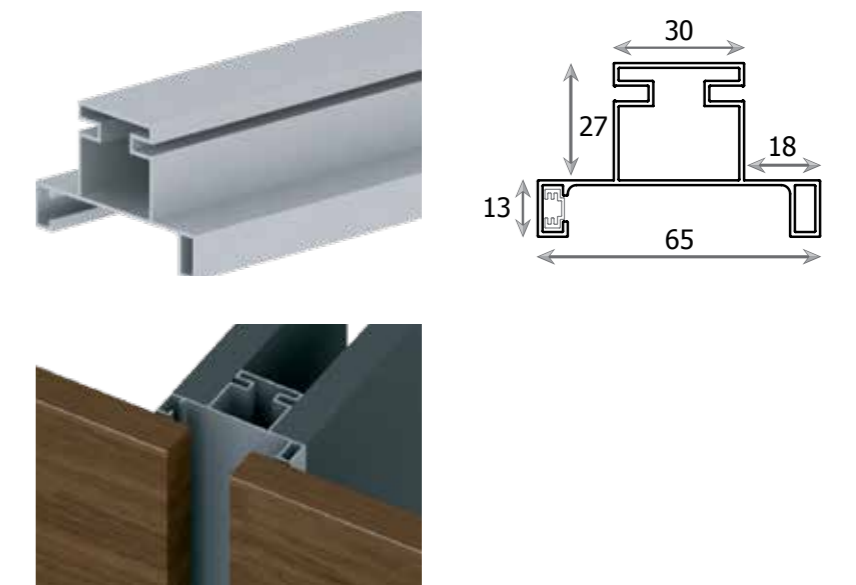
- * Available in 4 metre lengths.
- * Flexible LED strip can be used with this profile - see page 183 (8mm only).



Vertical Profile 2

Item No.	Size	Pack Qty	UOM
274248	2.4 metres	8	1

- * Available in 4 metre lengths.
- * Flexible LED strip can be used with this profile - see page 183 (8mm only).

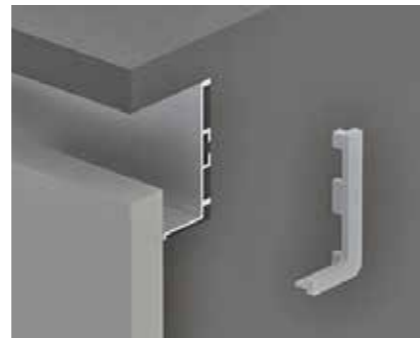


Eco Furniture Profiles - Handle-less Doors



L - Type

Item No.	Colour	UOM
192015	Brushed Black	4000mm
192013	Brushed Nickel	4000mm
192020	Chrome	4000mm
192006	Golden Brushed	4000mm
192008	Rose Gold	4000mm
192007	White	4000mm
192005	Natural Aluminium	4000mm



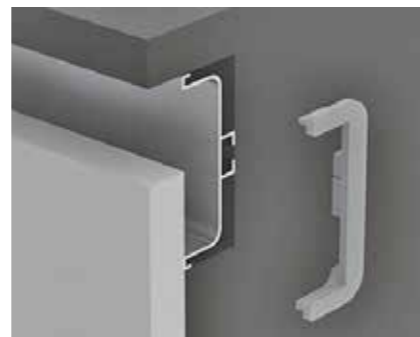
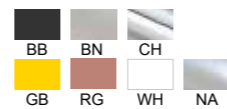
L - Type End Caps

Item No.	Colour	UOM	Item No.	Colour	UOM
192095	Rose Gold	1	191881	Natural Aluminium	1
192090	Iron Grey	1	282563	Black	1
192100	White	1	282430	Golden Brushed	1



C - Type

Item No.	Colour	UOM
191999	Brushed Black	4000mm
191996	Brushed Nickel	4000mm
192000	Chrome	4000mm
191991	Golden Brushed	4000mm
191994	Rose Gold	4000mm
191993	White	4000mm
191989	Natural Aluminium	4000mm



C - Type End Caps

Item No.	Colour	UOM	Item No.	Colour	UOM
192097	Rose Gold	1	191887	Natural Aluminium	1
192091	Iron Grey	1	282564	Black	1
192101	White	1	282431	Golden Brushed	1



Accessories

External Corner

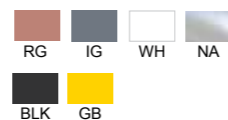
Item No.	Colour	UOM
192092	Rose Gold	1
192088	Iron Grey	1
192098	White	1
191869	Natural Aluminium	1
282565	Black	1
282433	Golden Brushed	1

Internal Corner

Item No.	Colour	UOM
192093	Rose Gold	1
192089	Iron Grey	1
192099	White	1
191870	Natural Aluminium	1
282567	Black	1
282566	Golden Brushed	1

Fixing Bracket

Item No.	UOM
192087	1

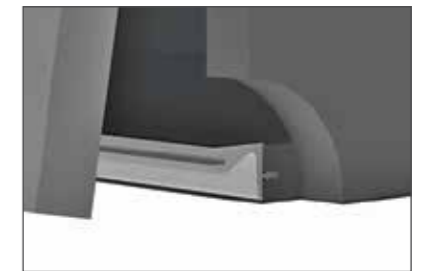


Eco Furniture Profiles - Handle-less Doors



Wall Unit Profile

Item No.	Colour	UOM
192085	Brushed Black	4000mm
192083	Brushed Nickel	4000mm
192086	Chrome	4000mm
192076	Golden Brushed	4000mm
192082	Rose Gold	4000mm
192080	White	4000mm
192075	Natural Aluminium	4000mm



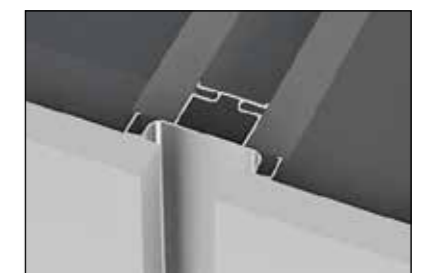
Vertical Profile 1

Item No.	Colour	UOM
192067	Brushed Black	2400mm
192066	Brushed Nickel	2400mm
192068	Chrome	2400mm
192060	Golden Brushed	2400mm
192062	Rose Gold	2400mm
192061	White	2400mm
192058	Natural Aluminium	2400mm



Vertical Profile 2

Item No.	Colour	UOM
192049	Brushed Black	2400mm
192046	Brushed Nickel	2400mm
192053	Chrome	2400mm
192031	Golden Brushed	2400mm
192044	Rose Gold	2400mm
192033	White	2400mm
192028	Natural Aluminium	2400mm



LIGHTING ELECTRICAL AUDIO



LIGHTING ELECTRICAL AUDIO

TABLE OF CONTENTS

Contents:

LED lighting profiles	171
LED lighting strips and accessories	183
LED triangular lighting kit	187
LED lighting hanging rail	188
Electrical fittings	191
Audio systems	192

LED Lighting Collection

LED is becoming the must have lighting solution. Not only does it cost less to run than conventional systems, it looks great too.

Our aluminium extrusions are designed to house flexible LED lighting strips with 11 different profiles and 6 different covers that offer a solution for almost every under cabinet lighting requirement. In addition these profiles can be used for staircases, headboards, entertainment centres, wardrobe interiors and shelving.

A transparent or frosted plastic cover gives different lighting finishes, by adding a switch with a dimmer the

light can be turned on and off and the mood controlled by changing the brightness.

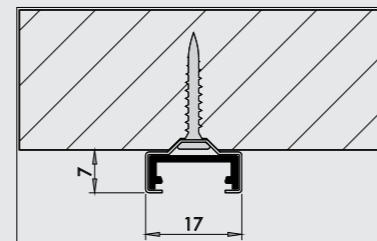
There are 3 mounting options for the profiles:

1. Double sided tape.
2. Use the corresponding profile mounting brackets.
3. Recess the profile into the board.

LED Lighting Profiles

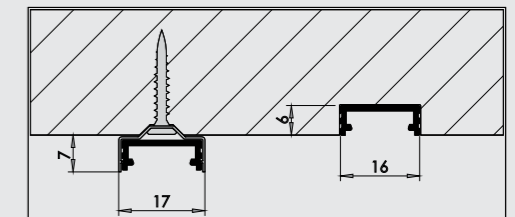
<p>Profile 1 - Low (3m length)</p> <p>Surface mount profile only Shallow profile causing the direction of light to be wide</p>	<p>Profile 2 - Low (3m length)</p> <p>Can be mounted all 3 ways Shallow profile causing the direction of light to be wide</p>
<p>Profile 3 - Low With Trim (3m length)</p> <p>Can be mounted all 3 ways Shallow profile causing the direction of light to be wide</p>	<p>Profile 4 - High (3m length)</p> <p>Can be mounted all 3 ways Deep profile causing the direction of light to be narrow</p>
<p>Profile 5 - High With Trim (3m length)</p> <p>Can be mounted all 3 ways Deeper profile causing the direction of light to be narrow</p>	<p>Profile 6 - Round (3m length)</p> <p>Requires fixing bracket Light angle can be adjusted by 45° Deep profile causing the direction of light to be narrow</p>
<p>Profile 7 - Angled 1 (3m length)</p> <p>Can only be surface mounted using brackets or double sided tape Light angle is set at 45°</p>	<p>Profile 8 - Angled 2 (3m length)</p> <p>To be mounted with double sided tape Light angle is set at 45°</p>
<p>Profile 9 - Flat (3m length)</p> <p>To be mounted with double sided tape Flat profile, low height, easy to conceal</p>	<p>Profile 10 - Vertical 1 (3m length)</p> <p>To be mounted on front / back edge of cabinet Lights cabinet in one direction</p>
<p>Profile 11 - Vertical 2 (3m length)</p> <p>To be mounted on front / back edge of cabinet Lights cabinet in two directions</p>	
<p>Transparent Cover 1 Flat (3m length)</p> <p>Clear cover increases the distance of light but shows flexible strip when light is off Clips into profile</p>	<p>Frosted Cover 1 Flat (3m length)</p> <p>Frosted cover decreases the distance of light but disguises flexible strip when light is off Clips into profile</p>
<p>Transparent Cover 2 Domed (3m length)</p> <p>Clear cover increases the distance of light but shows flexible strip when light is off Clips into profile</p>	<p>Frosted Cover 2 Domed (3m length)</p> <p>Frosted cover decreases the distance of light but disguises flexible strip when light is off Clips into profile</p>
<p>Transparent Cover 3 Wide (3m length)</p> <p>Clear cover increases the distance of light but shows flexible strip when light is off Clips into profile</p>	<p>Frosted Cover 3 Wide (3m length)</p> <p>Frosted cover decreases the distance of light but disguises flexible strip when light is off Clips into profile</p>

LED Lighting Profile 1 - Low



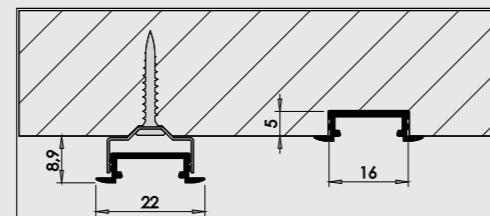
Item No.	Image	Description	Item No.	Image	Description
273163		LED profile 1 - low - 3m	283267		Transparent cover 2 Domed
273164		End cap for profile 1	283269		Transparent cover 3 Wide
273165		End cap for profile 1 with hole	273188		Frosted cover 1 Flat
273166		Fastening bracket for profile 1	283266		Frosted cover 2 Domed
273189		Transparent cover 1 Flat	283268		Frosted cover 3 Wide

LED Lighting Profile 2 - Low

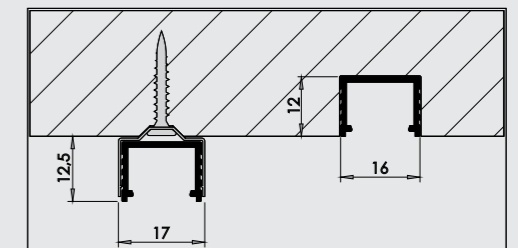


Item No.	Image	Description	Item No.	Image	Description
273167		LED profile 2 - low - 3m	283267		Transparent cover 2 Domed
273164		End cap for profile 1	283269		Transparent cover 3 Wide
273165		End cap for profile 1 with hole	273188		Frosted cover 1 Flat
273168		Fastening bracket for profiles 2 & 3	283266		Frosted cover 2 Domed
273189		Transparent cover 1 Flat	283268		Frosted cover 3 Wide

LED Lighting Profile 3 - Low With Trim



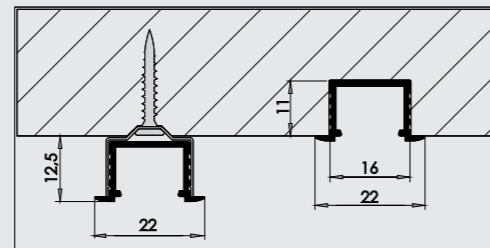
LED Lighting Profile 4 - High



Item No.	Image	Description	Item No.	Image	Description
273169		LED profile 3 with trim - low - 3m	283267		Transparent cover 2 Domed
273170		End cap for profile 3	283269		Transparent cover 3 Wide
273171		End cap for profile 3 with hole	273188		Frosted cover 1 Flat
273168		Fastening bracket for profiles 2 & 3	283266		Frosted cover 2 Domed
273189		Transparent cover 1 Flat	283268		Frosted cover 3 Wide

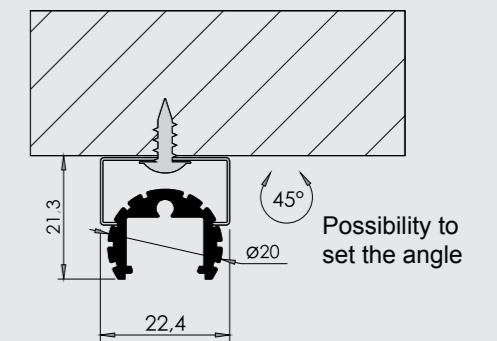
Item No.	Image	Description	Item No.	Image	Description
273172		LED profile 4 - high - 3m	283267		Transparent cover 2 Domed
273173		End cap for profile 4	283269		Transparent cover 3 Wide
273174		End cap for profile 4 with hole	273188		Frosted cover 1 Flat
273175		Fastening bracket for profiles 2 & 3	283266		Frosted cover 2 Domed
273189		Transparent cover 1 Flat	283268		Frosted cover 3 Wide

LED Lighting Profile 5 - High With Trim



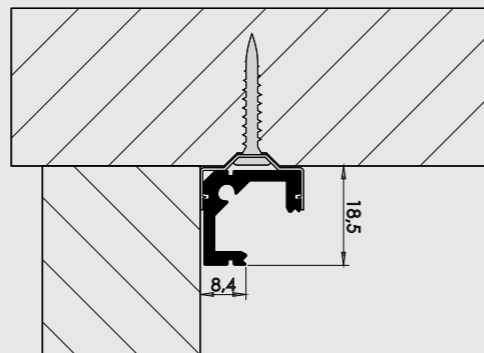
Item No.	Image	Description	Item No.	Image	Description
273176		LED profile 5 with trim - high - 3m	283267		Transparent cover 2 Domed
273177		End cap for profile 5	283269		Transparent cover 3 Wide
273178		End cap for profile 5 with hole	273188		Frosted cover 1 Flat
273175		Fastening bracket for profiles 4 & 5	283266		Frosted cover 2 Domed
273189		Transparent cover 1 Flat	283268		Frosted cover 3 Wide

LED Lighting Profile 6 - Round



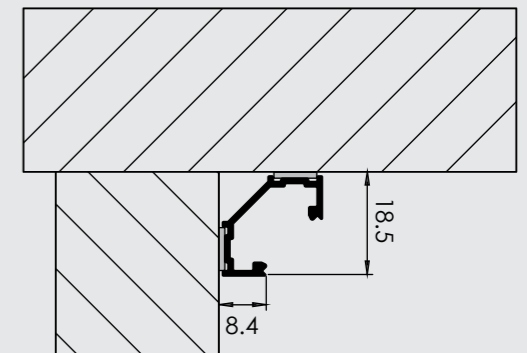
Item No.	Image	Description	Item No.	Image	Description
273179		LED profile 6 round - 3m	283267		Transparent cover 2 Domed
273180		End cap for profile 6	283269		Transparent cover 3 Wide
273181		End cap for profile 6 with hole	273188		Frosted cover 1 Flat
273182		Fastening bracket for profile 6	283266		Frosted cover 2 Domed
273189		Transparent cover 1 Flat	283268		Frosted cover 3 Wide

LED Lighting Profile 7 - Angled 1



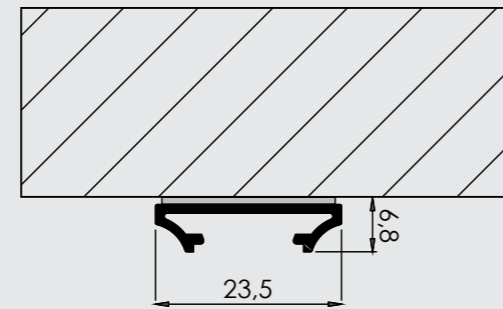
Item No.	Image	Description	Item No.	Image	Description
273184		LED profile 7 angled - 3m	283267		Transparent cover 2 Domed
273185		End cap for profiles 7 & 8	283269		Transparent cover 3 Wide
273186		End cap for profiles 7 & 8 with hole	273188		Frosted cover 1 Flat
273187		Fastening bracket for profile 7	283266		Frosted cover 2 Domed
273189		Transparent cover 1 Flat	283268		Frosted cover 3 Wide

LED Lighting Profile 8 - Angled 2

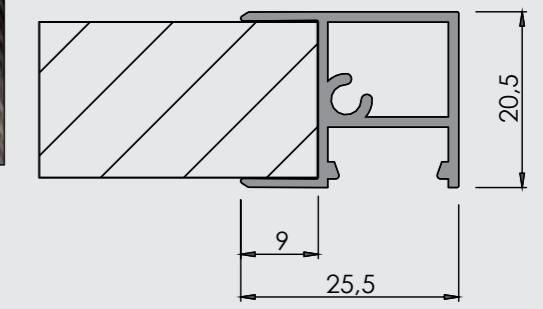


Item No.	Image	Description	Item No.	Image	Description
275585		LED profile 8 angled - 3m	283267		Transparent cover 2 Domed
273185		End cap for profiles 7 & 8	283269		Transparent cover 3 Wide
273186		End cap for profiles 7 & 8 with hole	273188		Frosted cover 1 Flat
No bracket required			283266		Frosted cover 2 Domed
273189		Transparent cover 1 Flat	283268		Frosted cover 3 Wide

LED Lighting Profile 9 - Flat



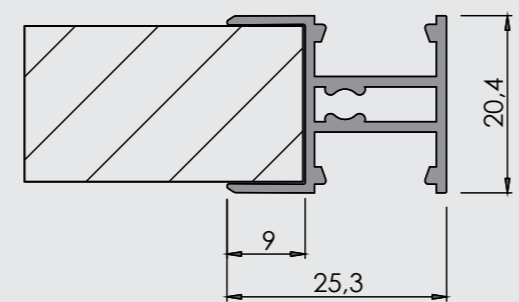
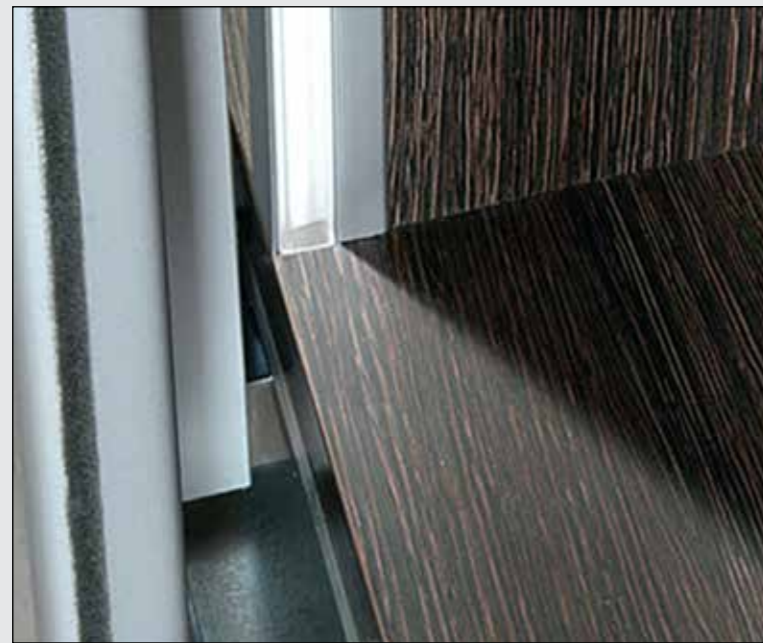
LED Lighting Profile 10 - Vertical 1



Item No.	Image	Description	Item No.	Image	Description
284915		LED profile 9 flat - 3m	283267		Transparent cover 2 Domed
284916		End cap for profile 9	283269		Transparent cover 3 Wide
284917		End cap for profile 9 with hole	273188		Frosted cover 1 Flat
No bracket required			283266		Frosted cover 2 Domed
273189		Transparent cover 1 Flat	283268		Frosted cover 3 Wide

Item No.	Image	Description	Item No.	Image	Description
275586		LED profile 10 vertical - 3m	283267		Transparent cover 2 Domed
No end caps or bracket required			283269		Transparent cover 3 Wide
			273188		Frosted cover 1 Flat
			283266		Frosted cover 2 Domed
273189		Transparent cover 1 Flat	283268		Frosted cover 3 Wide

LED Lighting Profile 11 - Vertical 2

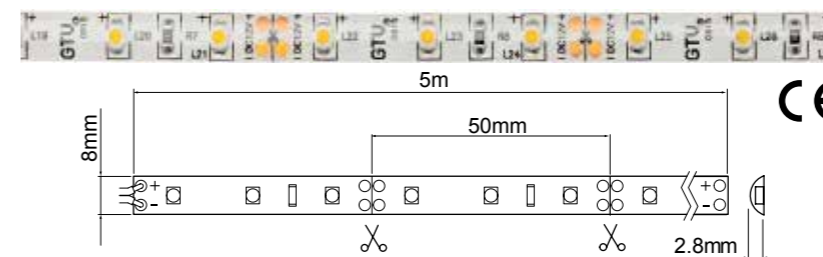


Item No.	Image	Description	Item No.	Image	Description
275587		LED profile 11 vertical - 3m	283267		Transparent cover 2 Domed
No end caps or bracket required			283269		Transparent cover 3 Wide
			273188		Frosted cover 1 Flat
			283266		Frosted cover 2 Domed
273189		Transparent cover 1 Flat	283268		Frosted cover 3 Wide

LED Lighting Strips and Accessories

LED Strip - 8mm

Water resistant

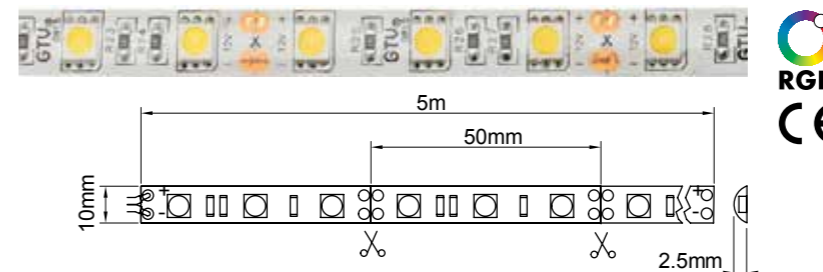


Item No.	Description	UOM
283170	LED Strip 5m Roll 8mm(w) Cool White	1 roll
283169	LED Strip 5m Roll 8mm(w) Warm White	1 roll

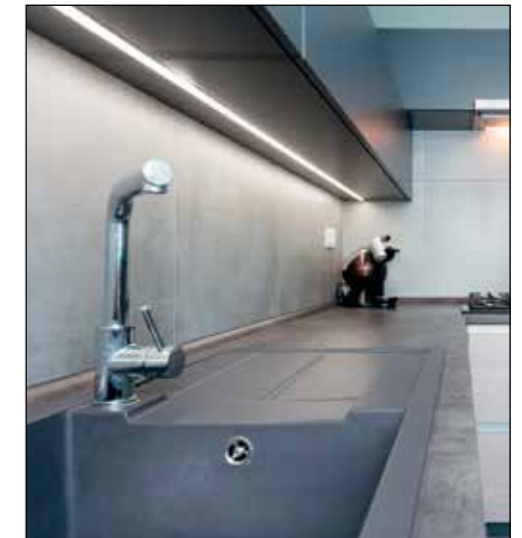


LED Strip - 10mm

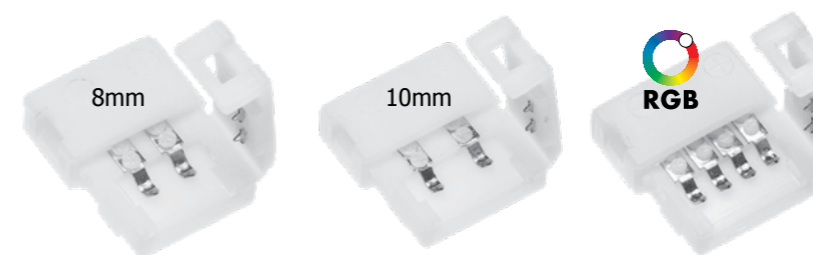
Water resistant



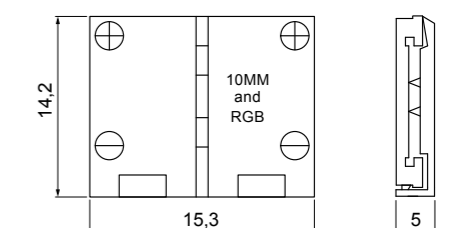
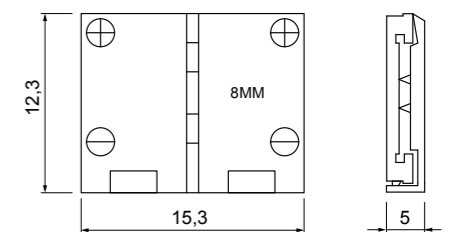
Item No.	Description	UOM
283172	LED Strip 5m Roll 10mm(w) Cool White	1 roll
283171	LED Strip 5m Roll 10mm(w) Warm White	1 roll
283173	LED Strip 5m Roll 10mm(w) RGB	1 roll



LED Strip Connectors - Without Cable

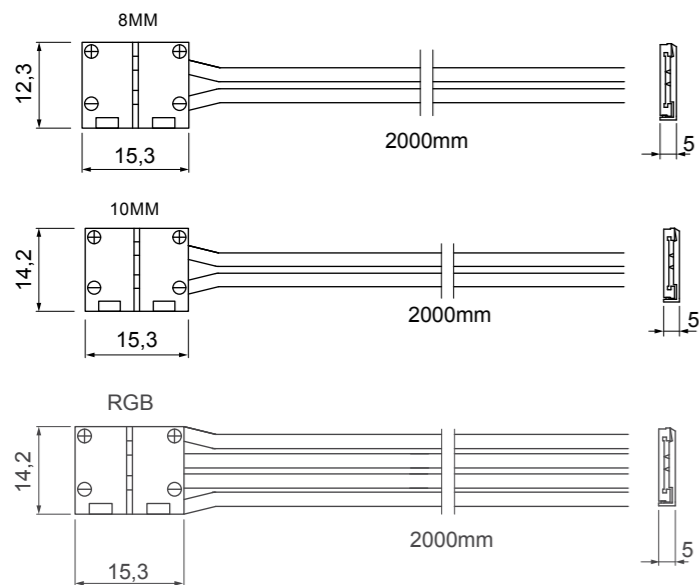


Item No.	Description	UOM
283174	LED Strip Connector Clips White 8mm	1 Piece
283175	LED Strip Connector Clips White 10mm	1 Piece
283181	LED Strip RGB Connector Clips White 10mm	1 Piece



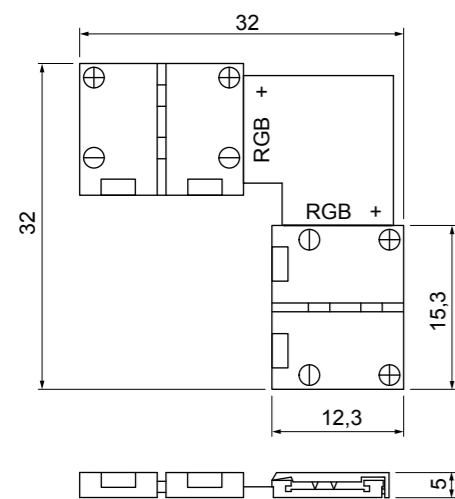
LED Lighting Strip Accessories

LED Strip Connectors - With Cable



Item No.	Description	UOM
283179	8mm LED Strip Connector Clips White with 1.5m Cable	1 Piece
283193	8mm LED Strip Connector Clips White with 2m Cable	1 Piece
283180	10mm LED Strip Connector Clips White with 1.5m Cable	1 Piece
283178	10mm LED Strip Connector Clips White with 2m Cable	1 Piece
283182	10mm LED Strip RGB Connector Clips White with 2m Cable	1 Piece

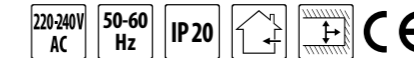
LED Strip Corner Connectors



Item No.	Description	UOM
283189	LED Strip Corner Connector 8mm	1 Piece
283190	LED Strip Corner Connector 10mm	1 Piece
283191	LED Strip Corner Connector RGB 10mm	1 Piece

LED Lighting Strip Accessories

Transformers For Lighting Strip



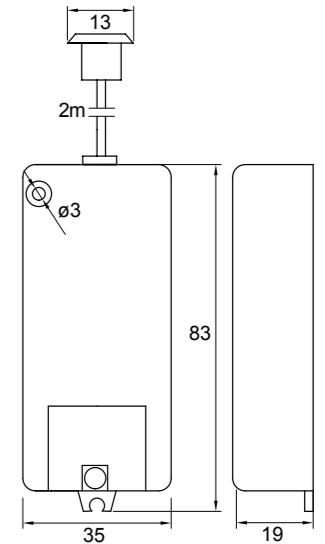
Item No.	Description	UOM
283522	LED Transformer 1 12V, 6W	1
283523	LED Transformer 2 12V, 12W	1
283524	LED Transformer 3 12V, 15W	1
283526	LED Transformer 4 12V, 30W	1
283528	LED Transformer cable UK Plug black 1.5m	1



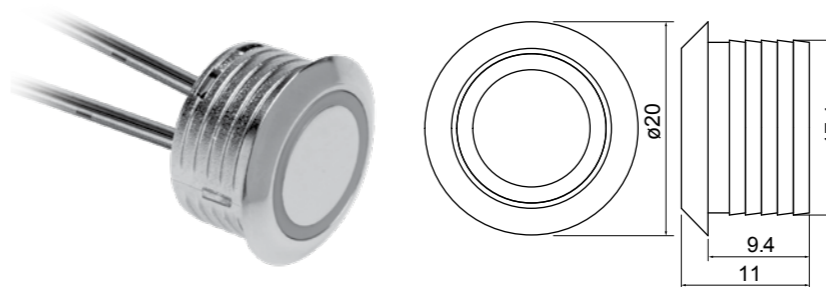
Sensor - One Way Activation



Item No.	Description	UOM
283531	Sensor One Way Activation	1



Dimmer Touch Switch

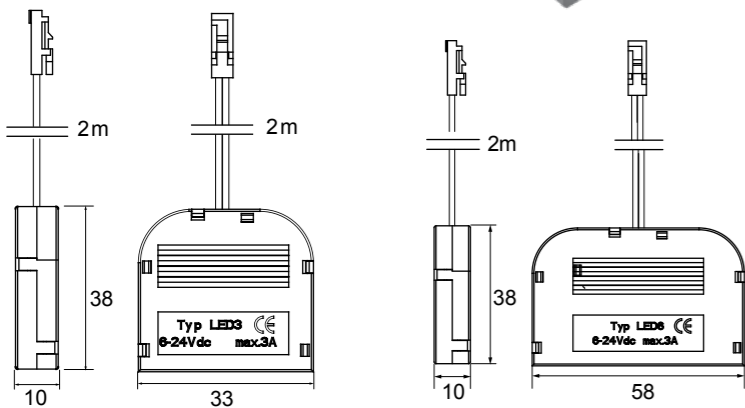
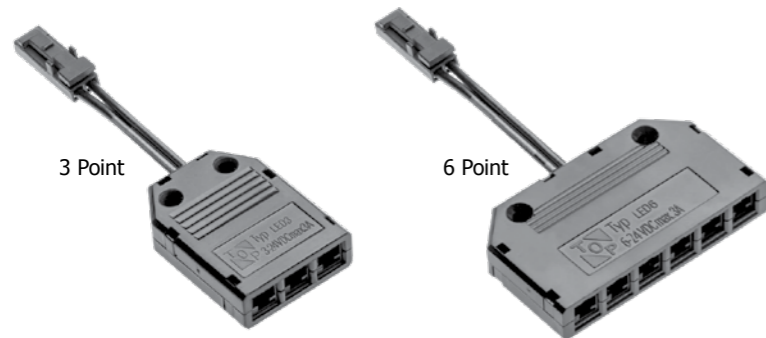


Item No.	Description	UOM
283532	LED Dimmer Touch Switch	1



LED Lighting Strip Accessories

3 and 6 Point Distributors



Item No.	Description	UOM
283539	LED Connector, 3 Point Distributor (Black)	1
283540	LED Connector, 6 Point Distributor (Black)	1



3 Point Distributer

- 6-24V DC
- MAX 3 A
- IP 20
- 3 x mini AMP
- 2 m

6 Point Distributer

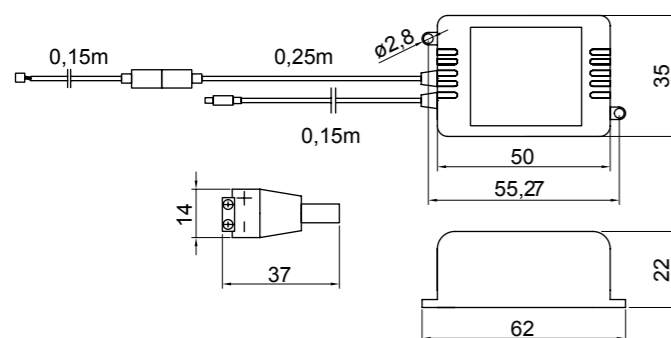
- 6-24V DC
- MAX 3 A
- IP 20
- 6 x mini AMP
- 2 m

RGB Controller



- 12V DC
- MAX 72 W
- MAX 6 A
- IP 20
- IR
- CE
- RGB

Item No.	Description	UOM
283530	LED RGB Controller	1



LED Triangular Lighting Kit

LED Triangular Light Kit - No additional parts needed

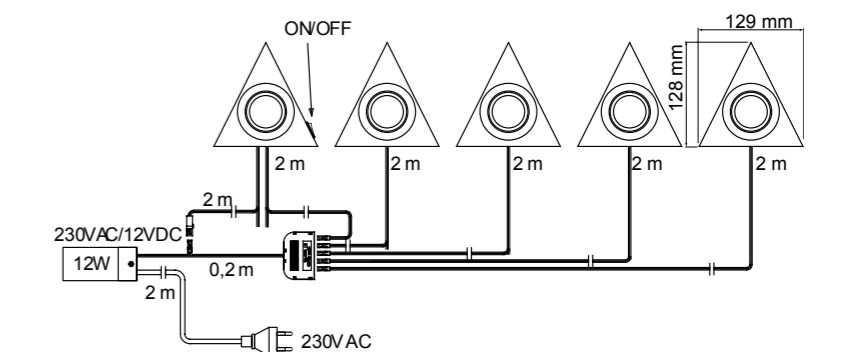


All kit contents shown. No additional parts required.



- AC 220-240 V 50-60 Hz
- 5 x 1,6 W
- IP 20
- 120°
- 5x18
- 2 m
- ON OFF
- mini AMP

Item No.	Description	UOM
283505	LED Triangular Light Kit with switch	1



LED Lighting solutions from NEY



LED Lighting - Hanging Rail

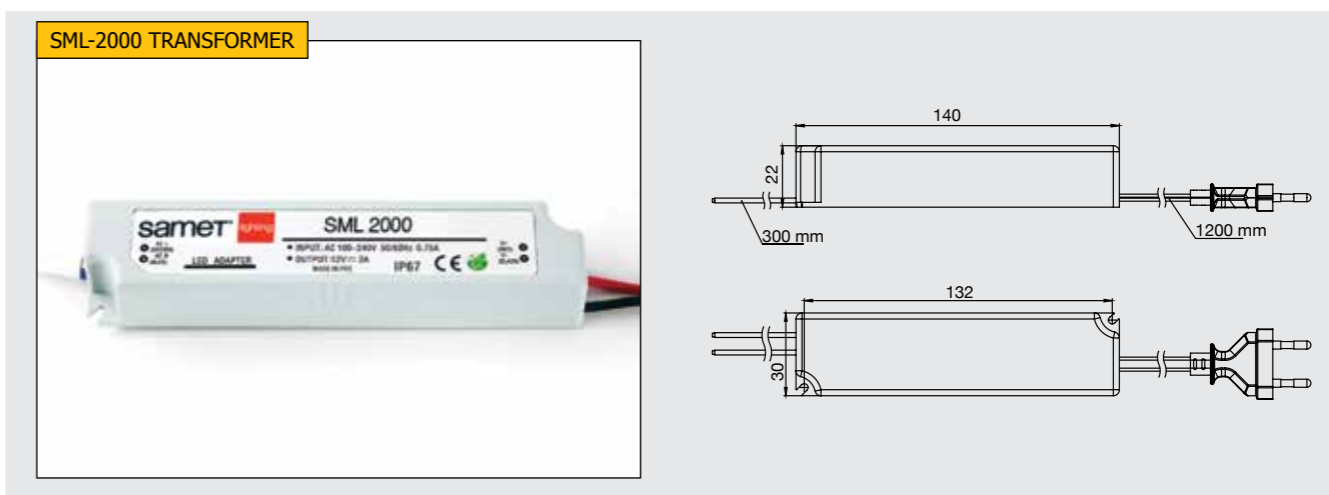
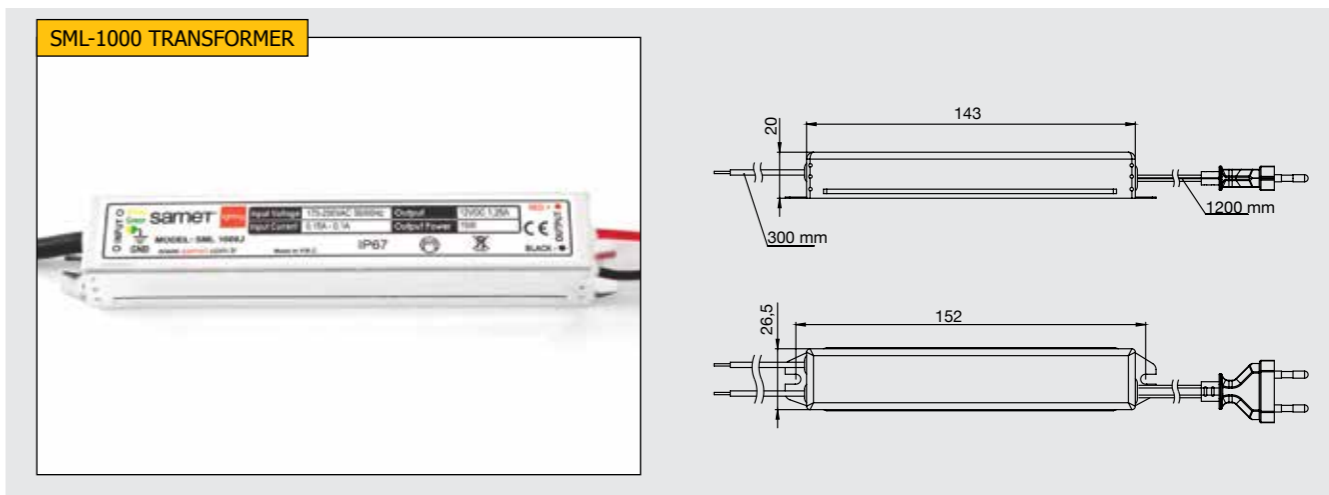
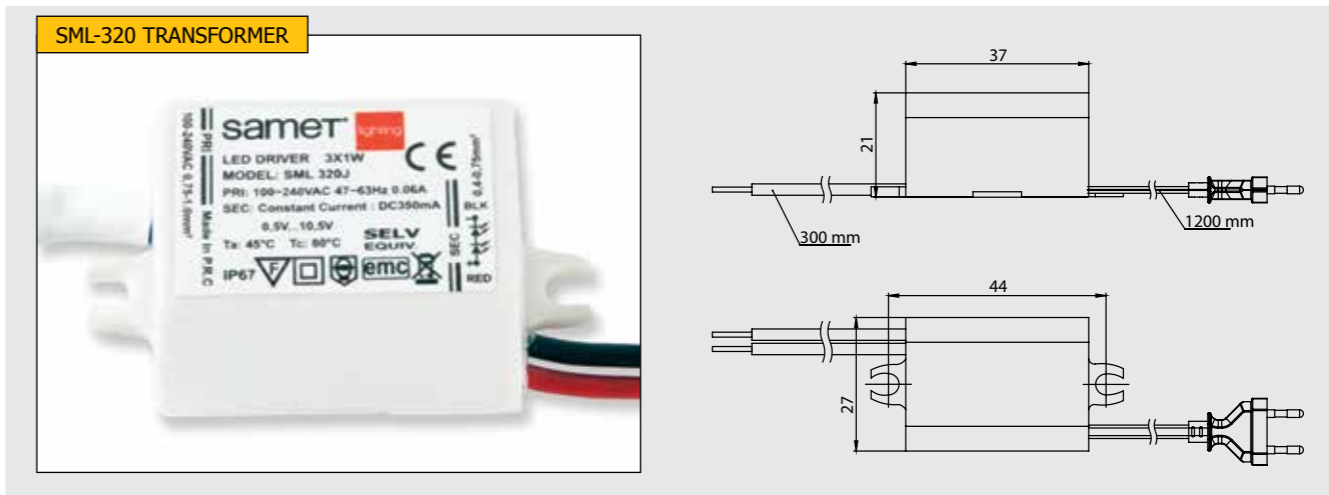


- DC 12V
- PIR sensor
- Body colour – natural aluminium
- LED colours options – cool white or blue
- Dimension options – 400mm, 800mm & 1200mm
- Transformer information below

Part Number	Description	Dimension	Body Colour	Width	LED Colour	Watt	Amp
273477	400mm with sensor	400x23x33	Natural Aluminium	400mm	Cool White	0.72W	0.06A
273478	400mm with sensor	400x23x34	Natural Aluminium	400mm	Blue	0.72W	0.06A
273479	800mm with sensor	800x23x33	Natural Aluminium	800mm	Cool White	1.44W	0.12A
273480	800mm with sensor	800x23x34	Natural Aluminium	800mm	Blue	1.44W	0.12A
273481	1200mm with sensor	1200x23x33	Natural Aluminium	1200mm	Cool White	2.28W	0.19A
273482	1200mm with sensor	1200x23x34	Natural Aluminium	1200mm	Blue	2.28W	0.19A

Transformer - SML-320 (See page: 189)	Transformer - SML-1000 (See page: 189)	Transformer - SML-2000 (See page: 189)
400mm = Max 5 Pieces	400mm = Max 18 Pieces	400mm = Max 36 Pieces
800mm = Max 2 Pieces	800mm = Max 8 Pieces	800mm = Max 16 Pieces
1200mm = Max 1 Piece	1200mm = Max 5 Pieces	1200mm = Max 10 Pieces

LED Transformers for Hanging Rail



Part Number	Description	Dimensions	Body Colour	Output Voltage	Output Power	Output Ampere
273495	Sml-320 LED transformer	21x37mm	White	0.5-10.5V	4.2W	350mA
273496	Sml-1000 LED transformer	20x143mm	Grey	12V	15W	1.25A
273497	Sml-2000 LED transformer	22x140mm	Grey	12V	24W	2A

Electrical Fittings

Including audio systems



Electrical Fittings

Pull-Out Power Sockets - Round

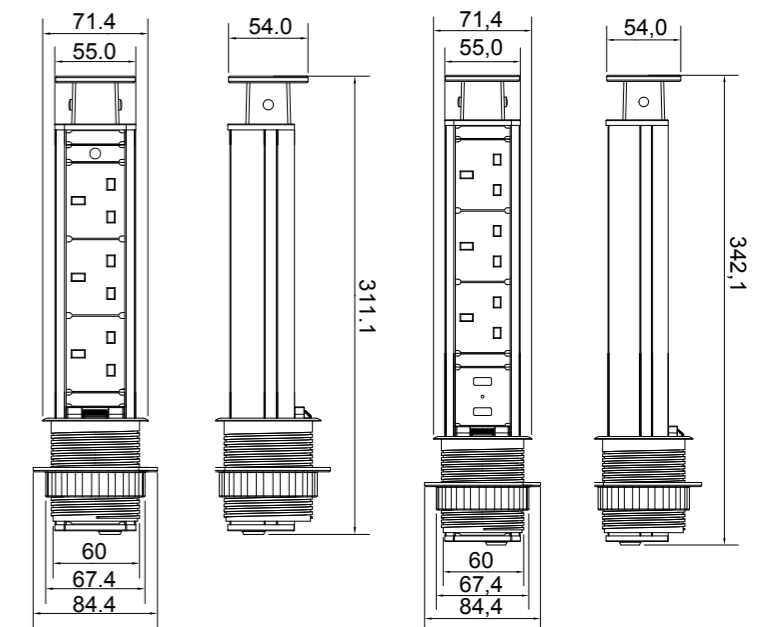


Pull-out, 3 x 13amp power sockets with or without 2 x USB ports. Ideal for kitchen or office.

Item No.	Description	Finish	UOM
283535	Sockets x 3	Silver/Black	1
283536	Sockets x 3 + 2 USB ports	Silver/Black	1



Corner Power Sockets



Corner power socket for surface mounting with 3 x 13amp sockets and 2 USB ports built-in. Ideal for kitchen, office, work benches etc.



Item No.	Description	Finish	UOM
283537	Corner power socket x 3 + 2 USB ports	Silver/Black	1

Audio Systems

Remo 1 - Bluetooth Audio System

Due to its compact nature and simple installation process, it is perfect for any type of furniture.

Specifications:

- Bluetooth audio player
- Soft touch buttons
- 4Ω 10W speaker power, 6Ω 10W subwoofer power

Kit consists of:

- 1 x Black console
- 2 x Speakers with covers
- 1 x Subwoofer
- 1 x 2m wire extenders
- Control console is splash proof and resistant to household cleaning products.



Item No.	Description	UOM
263193	Remo 1 - Bluetooth Audio System	1

Remo 2 - Bluetooth Audio System



The kit is versatile and has several uses. Using USB, the REMO 2 can charge phones and tablets. The REMO 2 is available in black or grey.

Specification:

- Bluetooth audio player
- USB charge
- Soft touch buttons
- 4Ω 10W speaker power, 1 x 6Ω 10W subwoofer power

Kit consisting of:

- 1 x Control console (black or grey)
- 2 x Speakers with matching cover (black or grey)
- 1 x Subwoofer
- 1 x 2m wire extenders

Item No.	Description	UOM
263194	Black Remo 2 - Bluetooth Audio System	1
263195	Grey Remo 2 - Bluetooth Audio System	1

Audio Systems

Remo 3.2 - Bluetooth Audio System

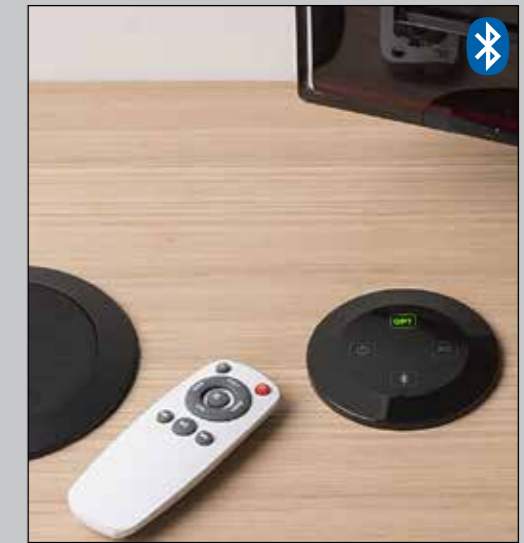
The Remo 3.2 Audio Kit is ideal to create an audio system in a TV cabinet or bookcase. It works via Bluetooth or with optical fibre transmission. A wireless remote allows you to control the TV sound.

Specification:

- Bluetooth audio player
- Output audio TV
- Soft touch buttons
- Power 4Ω 5W for speaker, 6Ω 10W subwoofer

Kit consisting of:

- Control box (Ø 80 mm, H 50 mm)
- Optical fibre cable, Remote control
- 2 cover speakers, 1 subwoofer cover
- Subwoofer (L 370x180 mm, H 100 mm)
- Transformer (100-240V - 12V/2A), User manual



Item No.	Description	UOM
283675	Black Remo 3.2 - Bluetooth TV Audio System	1

UF5 - Bluetooth Audio System with USB Charging Ports



UF5 is a Bluetooth audio kit with dual USB socket to recharge your smartphone and other devices. The kit is characterised by the pop-up dock station and the subwoofer incorporated into the speakers.

Specification:

- Bluetooth audio player
- 2 USB ports to recharge
- Soft touch buttons
- 4Ω 10W speaker power

Kit consisting of:

- UF5 dock station
- 2 speakers with subwoofer incorporated
- Transformer (100-240V - 12V/2.5A)
- User manual

Item No.	Description	UOM
283676	Silver Remo UF5 - Bluetooth Audio & USB Charging	1

Audio Systems



Storm - Bluetooth Audio System

STORM is a revolutionary premium sound system designed specifically for furniture integration. STORM is a joint project between audio technology specialists Opalum and furniture component specialists Ipea Tech. STORM is designed to fit into a range of furniture environments such as bedrooms, wooden furniture, sofas, beds, kitchens, hotels and new housing developments.

Specification:

- Bluetooth aptX audio player
- AUX IN port
- Amplifier: Opalum Class D amplifier module with 2 x 20W RMS, 2 x 40W peak
- Woofers: 2 x 3,5" size, PP cone, 6Ω in parallel
- Tweeter: 1 x 1 size, 8Ω, front mounted faceplate

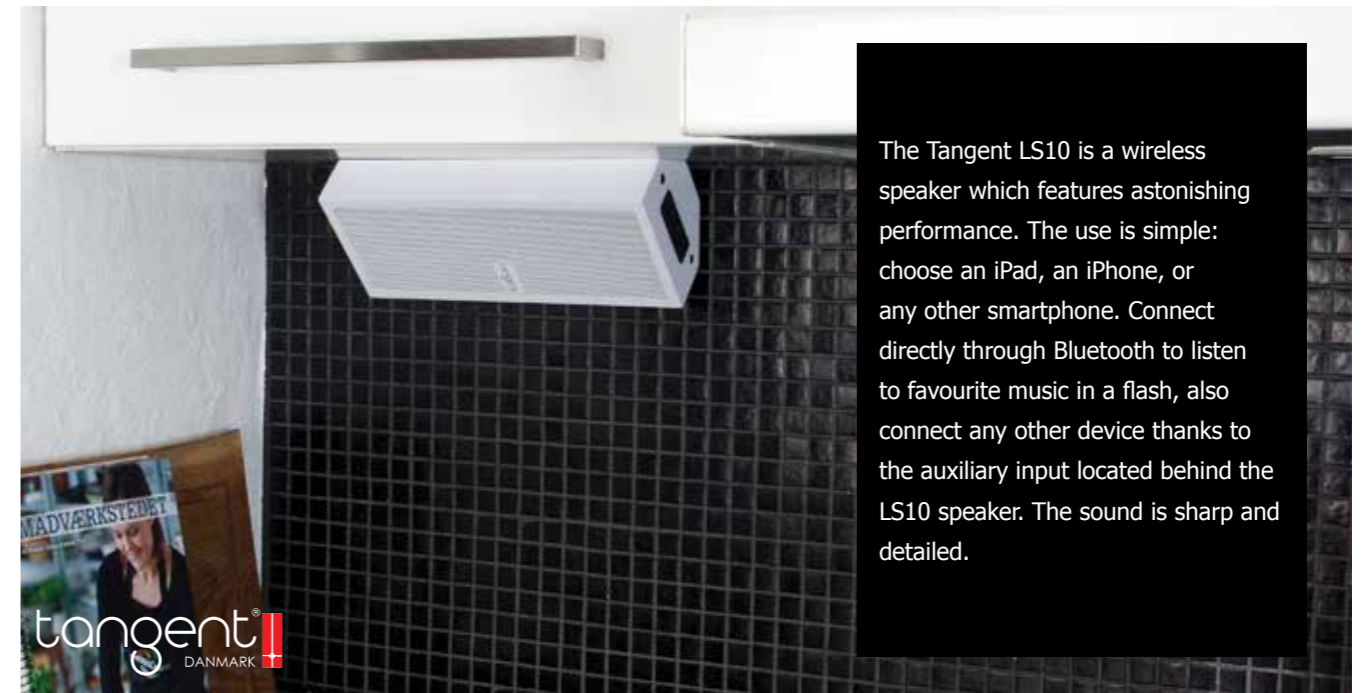
Kit consisting of:

- Storm Speaker unit (L 405mm x W 112mm x H 200mm)
- Metal grill (L 425mm x W 120mm)
- AUX IN Cable
- Multi plug transformer UK-EU-US
- Cavo jack - AUX
- User manual

Item No.	Description	UOM
283677	Storm - Bluetooth Audio System	1



Audio Systems



The Tangent LS10 is a wireless speaker which features astonishing performance. The use is simple: choose an iPad, an iPhone, or any other smartphone. Connect directly through Bluetooth to listen to favourite music in a flash, also connect any other device thanks to the auxiliary input located behind the LS10 speaker. The sound is sharp and detailed.

Tangent - Bluetooth Audio System

Specification:

- Speaker: 2 x 3" wide range speakers
- Connections: Bluetooth
- 3.5mm jack AUX input
- Frequency Range: 20Hz-20.000Hz
- Power input: DC 12V/2.0A
- Operation voltage: AC100-240V / 50Hz-60Hz
- Standby consumption: <0.5W (EUP 2013)
- Dimensions: 285 x 130 x 85mm (WxHxD)
- Finish: Black

Kit consisting of:

- Tangent LS10: 1pcs
- Power Supply: 1pcs (100-240V / 12V-2A)
- Power Supply plugs: 1pcs EU & 1pcs UK
- Mounting brackets: 2pcs L-bracket
- Mounting screws: 2pcs
- AUX cable: 1pcs 2m
- Special power cable: 1pcs 2m (To connect to Loox power supply)
- Mounting template: 1pcs
- Quick start guide: 1pcs

Item No.	Description	UOM
284523	Black Tangent - Bluetooth Audio System	1
284528	White Tangent - Bluetooth Audio System	1



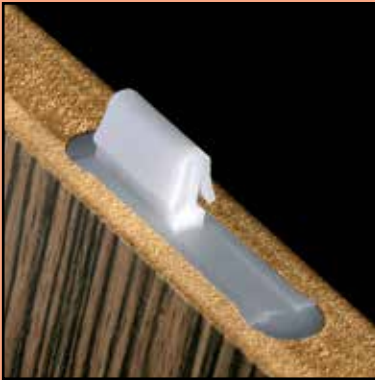
- Easy installation
- Bluetooth speaker
- 3.5mm AUX input
- Wake up on signal

FITTINGS



FITTINGS

TABLE OF CONTENTS



Contents:

Reisser screws and accessories	198
Eco - Screws	203
KD fittings	204
Ovvo connectors	209
Connecting fittings	210
Cabinet hangers	210
Shelf supports	212
Garment hanging rail and supports	214
Catches and dampers	216
Legs and feet	217
Self adhesive caps	220

CUTTER

The next generation in performance woodscrews

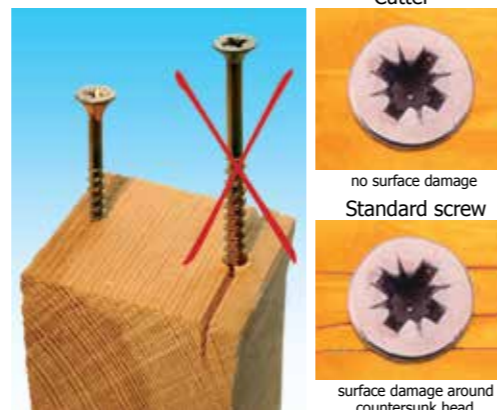
Due to the TWO unique patented slots (25mm and above), the Cutter allows screwing close to the edge without splitting. Under the head are BOTH ribs and tucks enabling the screw to sit flush and tight without surface damage. With the ability to penetrate almost all timbers without a pilot hole, this really is a screw worth using!

Unique design with 2 slots cut into the thread on 30mm screws and above (1 cut up to 25mm) to allow the screw to work closer to the edge of timber and board materials without splitting.

REISSER®



- 1 Distinct ribs and tucks**
 - Self countersinking into all timber and board materials.
 - No need to counterbore
- 2 Re-inforced collar**
 - Prevents snapping and gives depth for a wide, deep pozi to be inserted, therefore reducing the risk of "cam-out"
- 3 Lubricated, sharp, wide, deep thread**
 - Up to 40% reduction in driving resistance therefore less torque required. Quick and easy penetration **without** a pilot hole
- 4 Yellow tropicalised**
 - Superior rust resistance than a standard BZP screw.
- 5 Two patented slots**
 - Prevents splitting when screwing close to the edge
- 6 25° Needle point**
 - Immediate start



Cutter Screws



Cutter Screw - 3.5mm		
Size	Item No.	UOM
3.5 x 16mm	266770	200
3.5 x 20mm	267119	200
3.5 x 25mm	266885	200
3.5 x 30mm	266894	200
3.5 x 35mm	267120	200
3.5 x 40mm	266896	200
3.5 x 50mm	266897	200
5.0 x 25mm	267144	200

Cutter Screw - 4.0mm		
Size	Item No.	UOM
4.0 x 16mm	266818	200
4.0 x 20mm	267121	200
4.0 x 25mm	267126	200
4.0 x 30mm	267129	200
4.0 x 35mm	267130	200
4.0 x 40mm	267131	200
4.0 x 45mm	267132	200
4.0 x 50mm	267133	200
4.0 x 60mm	267134	200
4.0 x 70mm	267135	200
4.0 x 80mm	267136	200

Cutter Screw - 4.5mm		
Size	Item No.	UOM
4.5 x 30mm	267138	200
4.5 x 40mm	267139	200
4.5 x 50mm	267140	200
4.5 x 60mm	267141	200
4.5 x 70mm	267142	200
4.5 x 80mm	267143	200

Cutter Screw - 5.0mm		
Size	Item No.	UOM
5.0 x 30mm	267145	200
5.0 x 40mm	267146	200
5.0 x 50mm	267147	200
5.0 x 60mm	267148	200
5.0 x 70mm	267149	200
5.0 x 80mm	267150	200
5.0 x 90mm	267151	200
5.0 x 100mm	267152	200
5.0 x 120mm	267153	200

Cutter Screw - 6.0mm		
Size	Item No.	UOM
6.0 x 40mm	267154	200
6.0 x 50mm	267155	200
6.0 x 60mm	267156	100
6.0 x 70mm	267157	100
6.0 x 80mm	267158	100
6.0 x 90mm	267159	100
6.0 x 100mm	267160	100
6.0 x 120mm	267161	100
6.0 x 150mm	267162	100
6.0 x 180mm	267163	100

Cutter Screw Tubs



3.5mm		
Size	Item No.	UOM
3.5 x 16mm	272996	2500
3.5 x 20mm	272997	2200
3.5 x 25mm	272998	2000
3.5 x 30mm	273001	1600
3.5 x 35mm	272999	1400
3.5 x 40mm	273000	1250

4.0mm and 4.5mm		
Size	Item No.	UOM
4.0 x 25mm	273003	1600
4.0 x 30mm	273004	1500
4.0 x 40mm	273005	1200
4.0 x 50mm	273006	900
4.5 x 40mm	272995	800
4.5 x 50mm	275416	800
5.0 x 80mm	280353	400
5.0 x 100mm	280354	250

Cutter screw characteristics and applications



R2

WOODSCREWS

Performance
Woodscrews
Consistent
Quality.
ALWAYS!

The sharp, wide, deep thread penetrates into all timbers without a pilot hole, giving exceptional strength.

Each batch checked thoroughly to guarantee 'consistency of quality'



REISSER®

Applications:

- All wood
- Plywood
- Hard wood
- Board materials



1

Re-inforced collar

- The re-inforced collar under the head gives additional support preventing snapping
- The collar also allows a wide, deep pozi to be inserted. This reduces the risk of the bit jumping out and rounding off the edges

2

Lubricated, sharp, wide, deep thread

- The invisible Reisser lubricant helps the screw drive in quickly and easily

3

High Strength

- Specially hardened steel gives the R2 maximum tensile and torsional strength

4

Yellow tropicalised

- Yellow tropicalized gives superior rust resistance than a standard BZP screw

5

Choice of thread

- Available in full thread (primarily for board materials) or part thread (primarily for pulling two pieces of timber together tight)

6

25° Needle point

- Very sharp 25° point with the thread running to the end allowing immediate starting

Characteristics:

- Yellow tropicalised
- Countersunk
- Deep pozi drive
- Single/wide thread



R2 Wood Screws

Wood Screw - 3.5mm

BULK

Size	Item No.	UOM
3.5 x 12mm	284003	35,000
3.5 x 16mm	277909	25000
3.5 x 25mm	279191	15000
3.5 x 30mm	284005	13000
3.5 x 35mm	284133	9000
3.5 x 40mm	284156	7000
3.5 x 45mm	278612	6000
3.5 x 50mm	284158	5000

INDUSTRY

3.5 x 12mm	277785	1000
3.5 x 16mm	277910	1000
3.5 x 25mm	279190	1000
3.5 x 30mm	284004	1000
3.5 x 35mm	284132	1000
3.5 x 40mm	279192	1000
3.5 x 45mm	279193	1000
3.5 x 50mm	284157	500

Wood Screw - 4.0mm

BULK

Size	Item No.	UOM
4 x 16mm	281044	20,000
4 x 20mm	284159	15000
4 x 25mm	284160	12000
4 x 30mm	277907	10000
4 x 35mm	284163	7000
4 x 40mm	282416	6000
4 x 45mm	277905	5000
4 x 50mm	284168	4000
4 x 60mm	284170	3500

INDUSTRY

4 x 16mm	277911	1000
4 x 20mm	278611	1000
4 x 25mm	284161	1000
4 x 30mm	277908	1000
4 x 35mm	284164	500
4 x 40mm	284165	500
4 x 45mm	277906	500
4 x 50mm	284169	500
4 x 60mm	284171	500

Wood Screw - 4.5mm

BULK

Size	Item No.	UOM
4.5 x 20mm	284177	12,000
4.5 x 25mm	284181	9000
4.5 x 30mm	284185	7000
4.5 x 40mm	284187	5000
4.5 x 45mm	284189	4000
4.5 x 50mm	284192	3500

INDUSTRY

4.5 x 20mm	284175	1000
4.5 x 25mm	284183	1000
4.5 x 30mm	284186	1000
4.5 x 40mm	284188	500
4.5 x 45mm	284191	500
4.5 x 50mm	284195	500

Trade Packs

Sorta Case - Mixed Screw Set

Description	Item No.	UOM
Cutter Screws	267348	1 Case



Contents

3.5mm x 16mm x 400
3.5mm x 20mm x 400
3.5mm x 25mm x 400
4.0mm x 16mm x 400
4.0mm x 20mm x 400
4.0mm x 30mm x 400
4.0mm x 50mm x 200
1 x set of 2 Pozi 2 25mm drill bit

Cutter Trade Pack

Description	Item No.	UOM
Cutter Screws	284060	1 Pack



Contents

4.0mm x 25mm x 200
4.0mm x 30mm x 200
4.0mm x 40mm x 200
4.0mm x 50mm x 200
5.0mm x 40mm x 200
5.0mm x 50mm x 200
5.0mm x 60mm x 200
5.0mm x 80mm x 200
20 x Pozi 2 25mm drill bits

R2 Wood Screw Trade Pack

Description	Item No.	UOM
R2 Wood Screw	284061	1 Pack



Contents

4.0mm x 25mm x 200
4.0mm x 30mm x 200
4.0mm x 40mm x 200
4.0mm x 50mm x 200
5.0mm x 40mm x 200
5.0mm x 50mm x 200
5.0mm x 60mm x 200
5.0mm x 80mm x 200
20 x Pozi 2 25mm drill bits

Drill bits



- Torsion zone to increase flexibility and reduce snapping
- Precision milled for a precise fit and high performance
- 58-62HRC hardness to resist wear and increase service life



The use of high grade materials and innovative design combine to give products which perform reliably in the toughest of applications

Tip Type	Size	Shank Type	Bit Length	Item No.	UOM
PZD	1	C6.3	25mm	274434	10
PZD	2	C6.3	25mm	274438	10
PZD	2	C6.3	25mm	274435	100
PZD	3	C6.3	25mm	274436	10

Tip Type	Size	Shank Type	Bit Length	Item No.	UOM
PZD	1	C6.3	50mm	274437	10
PZD	2	C6.3	50mm	274439	10
PZD	2	C6.3	50mm	274440	50
PZD	3	C6.3	50mm	274441	10

Tip Type	Size	Shank Type	Bit Length	Item No.	UOM
HXD	5	C6.3	25mm	274442	2



- 1 Precision milled special impact tip for long life
- 2 Specially designed tip geometry to maximise life when used in impact drivers
- 3 Colour coded for easy identification
- 4 Torsion zone for enhanced flexibility
- 5 Super tough V5 tool steel

5 Piece Kombi Drill Set - Multi Purpose



- 1 For the rotary drilling of aerated and non-reinforced concrete, masonry, ceramic tiles, plastic, wood, aluminium and steel sheets and profiles.

5 Piece Kombi Drill Set

Item No.	UOM
284062	1 set

Drill Diameters: Ø5mm, Ø5.5mm, Ø6mm, Ø7mm, Ø8mm

- 1) **Tip Geometry**
 - Diamond cut cross ground tip for easy penetration into different materials.
- 2) **Secure**
 - High temperature brazing holds the tip securely in the shank.
- 3) **Tough**
 - High grade chromium steel body.
- 4) **Quality**
 - PGM marked where certified.

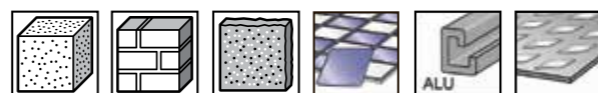
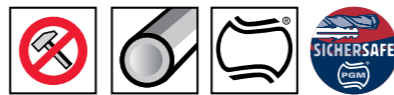


Characteristics:

Rotary only
Straight shank
PGM approved

Applications:

Aerated concrete
Solid brick
Natural stone
Ceramic tile
Aluminium
Metal
Wood



2 Piece Magnetic Adaptor

Socket	Shank Type	Bit Length	Item No.	UOM
1/4" Hex	C6.3	60mm	267383	5



Eco Screws



Chipboard Screws



- Silver zinc
- Pozi countersunk head
- For use on chipboard and most other wood types

Chipboard Screw - 3.5mm

Size	Item No.	UOM
3.5 x 13	109501	1000
3.5 x 16	109503	1000
3.5 x 18	109504	1000
3.5 x 20	109506	1000
3.5 x 25	109508	1000
3.5 x 30	109511	1000
3.5 x 35	109513	1000
3.5 x 40	109515	500
3.5 x 45	109517	500
3.5 x 50	109519	500

Chipboard Screw - 4.0mm

Size	Item No.	UOM
4.0 x 16	109521	1000
4.0 x 18	109522	1000
4.0 x 20	109524	1000
4.0 x 25	140365	1000
4.0 x 30	140366	500
4.0 x 35	140367	500
4.0 x 40	140368	500
4.0 x 45	140369	500
4.0 x 50	109532	500
4.0 x 60	109534	250

Chipboard Screw - 5.0mm

Size	Item No.	UOM
5.0 x 20	109539	500
5.0 x 50	109544	250
5.0 x 60	109546	250
5.0 x 70	109548	250
5.0 x 80	109550	250
5.0 x 90	109551	250

Chipboard Screw - 6.0mm

Size	Item No.	UOM
6.0 x 50	109554	250
6.0 x 60	109555	250
6.0 x 70	109556	250
6.0 x 80	109557	250
6.0 x 90	109558	250
6.0 x 100	109559	250
6.0 x 110	109560	250
6.0 x 120	109561	250
6.0 x 150	109562	100

Standard Handle Screws



Size	Item No.	UOM
M4 x 22mm	109582	1000
M4 x 25mm	140371	1000

Multi-Fit Handle Screw

- Steel, blue zinc finish
- Pozi - flat head
- Snap to fit different front thicknesses



Size	Item No.	UOM
M4 x 40mm multi-fit	109583	1000

Screws

Euro Screw



- Ideal for fixing drawers, 5mm pre-drilling
- Pozi - countersunk head, steel blue zinc finish

Size	Item No.	UOM
6.3 x 13.8mm	109563	1000

Automatic Insertion Screws



- Ideal for drawer slide fixing
- Pozi countersunk head, silver zinc

Size	Item No.	UOM
6.7 x 12.5mm	109568	1000

Confirmat Screw



- For strong jointing of cabinet corners
- Good holding in MDF & MFC material
- Pozi countersunk head, steel. 5mm pre-drilling

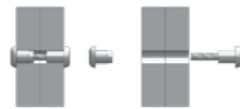
Size	Item No.	UOM
6.3 x 50mm	109567	1000

Plastic and Metal Connection Screws



Colour	Item No.	UOM
Metal	274578	1000
Brown	274575	1000
Oak	274577	1000
White	274576	1000

- Plastic: 30mm - 38mm
- Metal: 28mm - 36mm



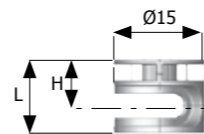
KD Fittings - Connecting Bolts and Cams

Expandable Connecting Bolt



Cam

Size	Item No.	UOM
L = 12 H = 7.5mm	110108	1000
L = 13.8 H = 9mm	110112	1000

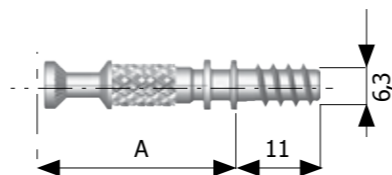


Bolt

Size	Item No.	UOM
A = 24mm	110819	1000
A = 34mm	110099	1000



24 mm Steel Bolt Euro Screw Type



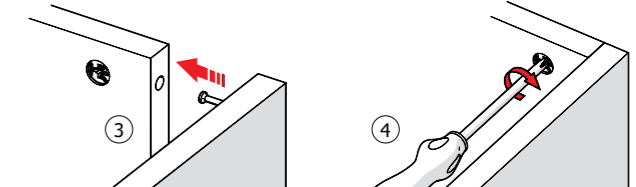
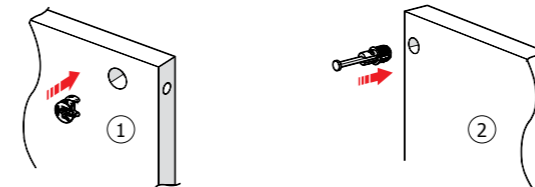
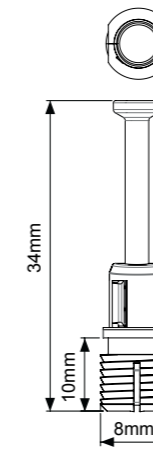
KD Fittings - Connecting Bolts and Cams

Expandable Connecting Bolt

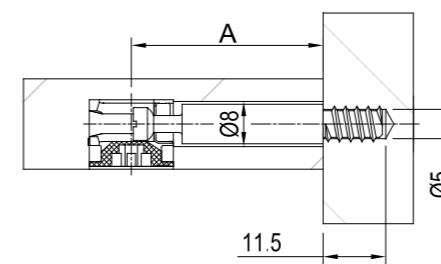


To be used with Samfix cam fittings

Item No.	UOM
267183	1000

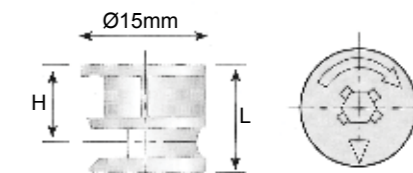


Steel - Euro Screw Connecting Bolt



Size	Item No.	UOM
A = 24mm	109475	1000
A = 34mm	109478	1000

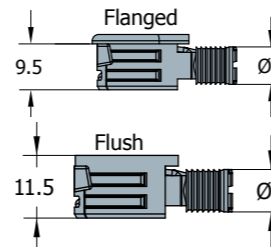
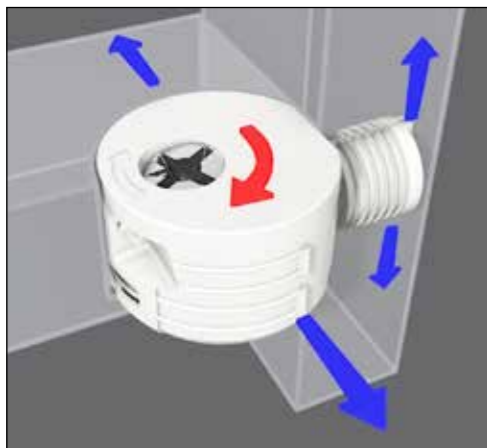
Eccentric Cam Fittings - Zamac



Size	Item No.	UOM
L = 12 H = 7.5mm	109481	1000
L = 13.8 H = 9mm	109483	1000

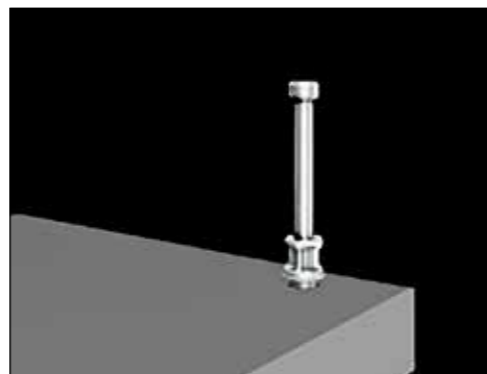
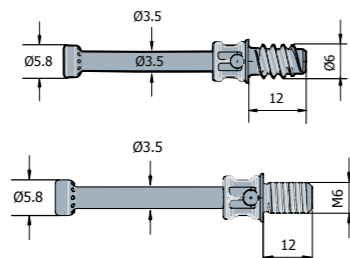
System 4 Connector and System 5 Cams & Dowels

System 4 - Quickloc One Piece Expanding Connector



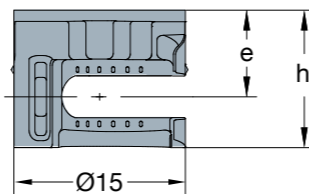
Diameter	Drilling depth	Dowel	Colour	Item	UOM
20mm	9mm	8mm	White	280231	250
20mm	9mm	8mm	Black	280927	250
20mm	11.5mm	8mm	White	280928	250
20mm	11.5mm	8mm	Black	280929	250

System 5 - Combi Dowel



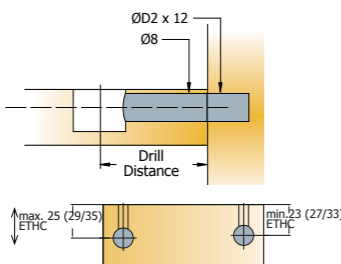
Drill Distance	Drill Depth	Dowel	Colour	Item	UOM
24mm	12mm	N/A	Nickel	280987	1000
34mm	12mm	N/A	Nickel	280986	1000

System 5 - Cam 3000



Diameter	Drilling Depth	Drilling For Dowel	Colour	Item No.	UOM
15mm	12.5mm	7.5 - 8mm	Nickel	280990	1000
15mm	14mm	9 - 9.5mm	Nickel	280991	1000

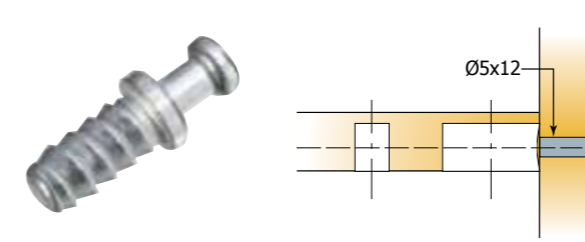
System 5 - Quick Fit Dowel



Drill Distance	Drill Depth	Dowel	Colour	Item	UOM
24mm	12mm	8mm	Nickel & Grey	280988	1000
34mm	12mm	8mm	Nickel & Grey	280989	1000

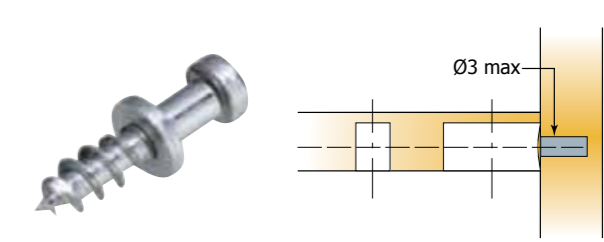
System 6 - Quickfit Expando Connectors

System 6 - Dowels 5 x 11mm (Knock-In)



Diameter	Length	Colour	Item No.	UOM
5mm	11.5mm	Nickel	280992	1000

System 6 - Dowels 3 x 11.5mm



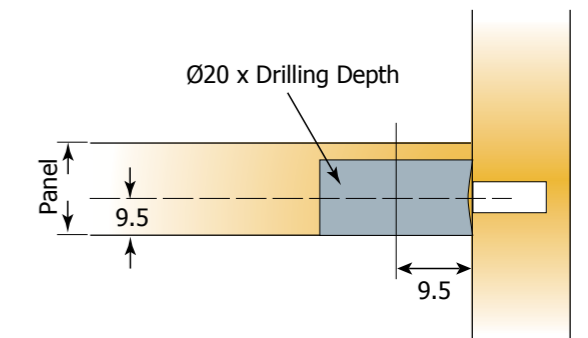
Diameter	Length	Colour	Item No.	UOM
3mm	11.5mm	Nickel	280993	1000

System 6 - 20mm Expanding Housing Non-Outrigger



Diameter	Panel Thickness	Drilling Depth	Col	Item No.	UOM
20mm SE	15mm	12.5mm	Nickel	280994	1000
20mm SE	18mm	14mm	Nickel	280995	1000
20mm SE	18mm	14mm	White	280996	1000
20mm DO	18mm	14mm	White	280997	1000

SE = Side Entry DO = Drop-On

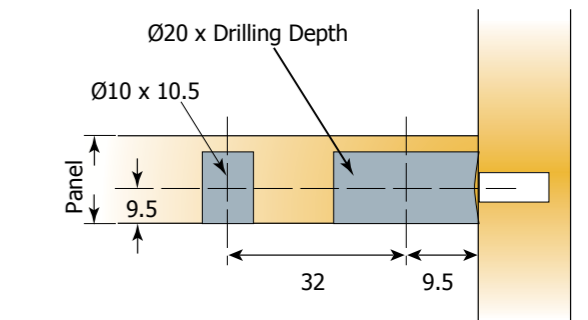


System 6 - 20mm Expanding Housing with Outrigger



Diameter	Panel Thickness	Drilling Depth	Col	Item No.	UOM
20mm SE	18mm	14mm	Nickel	280998	1000
20mm SE	18mm	14mm	White	280999	1000
20mm DO	18mm	14mm	White	281000	1000

SE = Side Entry DO = Drop-On

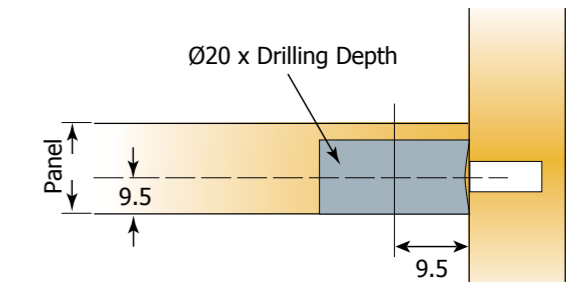


System 6 - Expanding Wedgefix Housing No Inner Cam



Diameter	Panel Thickness	Drilling Depth	Col	Item No.	UOM
20mm DO	18mm	14mm	White	281001	1000

DO = Drop-On



Multi-Award winning connection system

Permanent and releasable connectors



Virutex AB181 OVVO Hand Tool Also Available From NEY

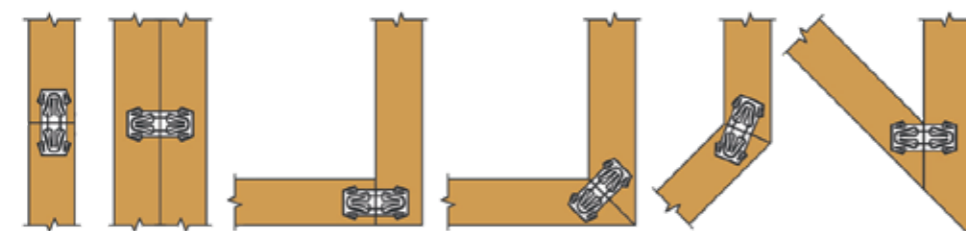
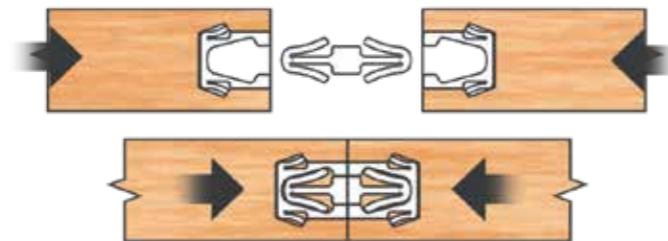
A revolutionary invisible furniture fitting for the ready to assemble / flat-pack woodworking industry.

New assembling system

The OVVO connection system not only cuts down on assembly time but also allows furniture to be flat packed, saving time and space. Once slots are routed it is not necessary to use any further tools, screws or glue to assemble the pieces. The OVVO connection system is a three piece jointing system available as a releasable or permanent solution.

Invisible and detachable

The action is simplicity itself, all you have to do is press them together and wait for the 'click' which indicates that the joint has seated. This invisible solution, with an internal automatic clamp, creates a perfect union between work pieces.



The OVVO® connectors system allows a variety of joints and angles.



OVVO® Permanent and Releasable Connectors

Material Thickness

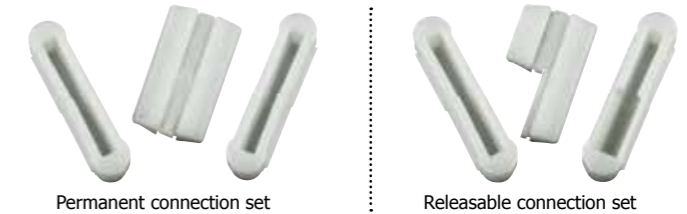
1240 is recommended for a minimum material thickness of 18mm and also works in 19mm and above.

V-0930 is recommended for a minimum material thickness of 12mm and also works in 15mm, 16mm and 18mm.

V-1230 is recommended for a minimum material thickness of 15mm and also works in 16mm, 18mm and 19mm.

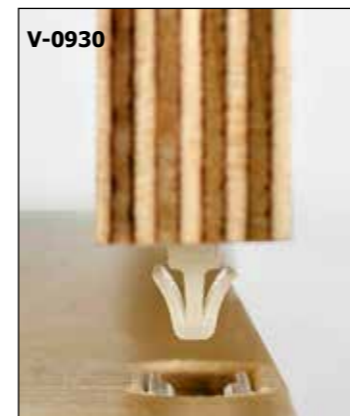
OVVO 1240 Permanent and Releasable Connections

The original OVVO® 1240 Connection System is available in both permanent and releasable versions. The releasable set allows for efficient assembly and disassembly of products. 1240 Connection System is suitable for ≥ 19mm boards.

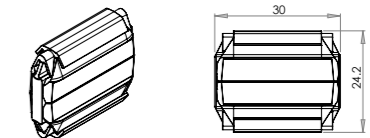


Description	Size	Item No.	UOM
OVVO Permanent connection set	12 x 40mm	276883	100 sets
OVVO Releasable connection set	12 x 40mm	276881	100 sets

OVVO V0930 and V-1230 Permanent and Releasable Connections



The new V-1230 connector has a deeper profile than the award-winning V-0930 connector, and significantly increases the holding strength delivered in chipboard materials. It works best in high-grade chipboard with thickness of 15, 16, 18mm and above, and is also compatible with leading high-end materials, such as high-pressure laminates, composite material and solid woods.

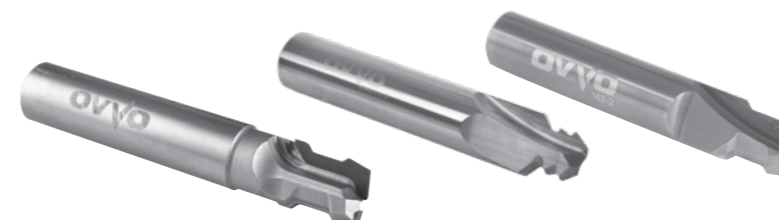


The perfect invisible furniture fitting solution

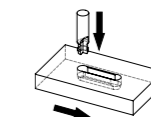
Description	Size	Item No.	UOM
V-0930 Permanent connection set	9 x 30mm	279290	100
V-1230 Permanent connection set	12 x 30mm	284929	100
V-0930 Releasable connection set	9 x 30mm	279289	100
V-1230 Releasable connection set	12 x 30mm	284928	100

The innovative dovetail design featured in the award-winning V-0930 connector is retained and delivers increased intrinsic tolerance, which leads to enhanced shear and tensile strength of the joint created; the new connector also features a solid central rib that confers increased joint rigidity. The single piece housing makes automatic insertion possible.

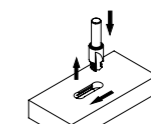
OVVO Cutters



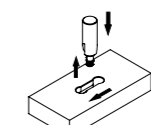
Description	Item No.	UOM
OVVO Solid carbide router cutter for 12 x 40mm set	276891	1
OVVO PCD diamond router cutter for 12 x 40mm set	277182	1
OVVO Solid carbide router cutter for V-0930	279291	1
OVVO Solid carbide router cutter for V-1230	284646	1



1240 Cutter
 1. Plunge Depth: 12.7mm (min) - 13.1mm (max)
 2. Travel Distance: 40mm



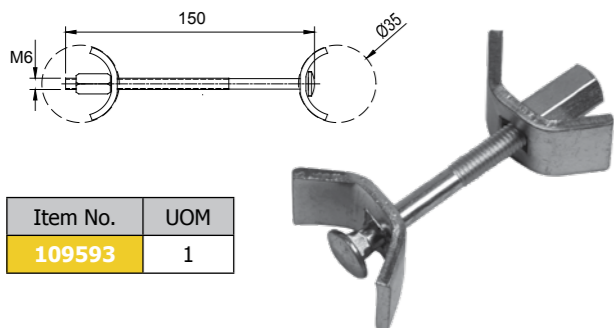
0930 Cutter
 1. Plunge Depth: 9.2mm (min) - 9.7mm (max)
 2. Travel Distance: 20.6mm



1230 Cutter
 1. Plunge Depth: 12.7mm (min) - 13.3mm (max)
 2. Travel Distance: 20.5mm

Connecting Fittings

Worktop Bolts



Item No.	UOM
109593	1

Modesty Blocks

Colour	Item No.	UOM
Brown	262790	1000
Cream	262791	1000
White	262792	1000



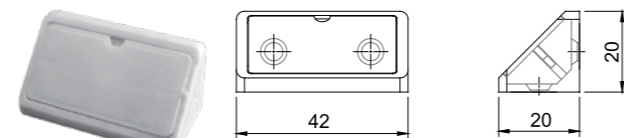
Horizontal Door Connection Plate



- Four hole fixing bracket for 2 doors.
- Suitable for tall larder units.
- Zinc finish.

Size	Item No.	UOM
190mm x 19mm x 3mm	274670	1

Corner Connector (covered)



Colour	Item No.	UOM
Cream	109419	1000
White	109420	1000
Black	140596	1000

Pocket Screw Caps

Colour	Item No.	UOM
Brown	274011	100
Cream	274010	100
White	274009	100



Vertical Door Connection Plate



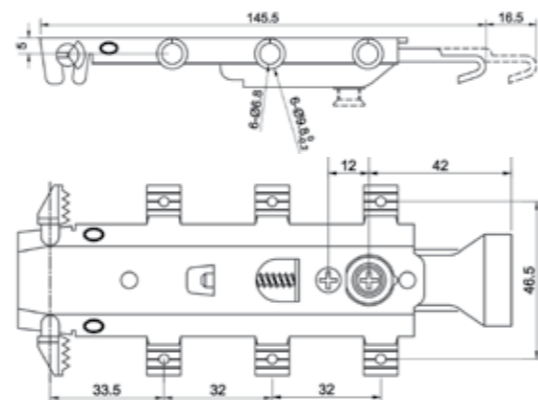
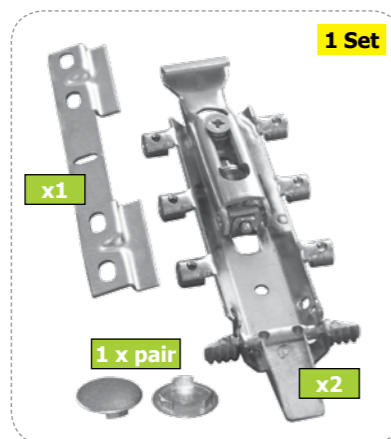
- Four hole fixing bracket for two doors.
- For two doors or double drawer fronts.
- Zinc finish.

Size	Item No.	UOM
38mm x 50mm	274671	1

Cabinet Hangers

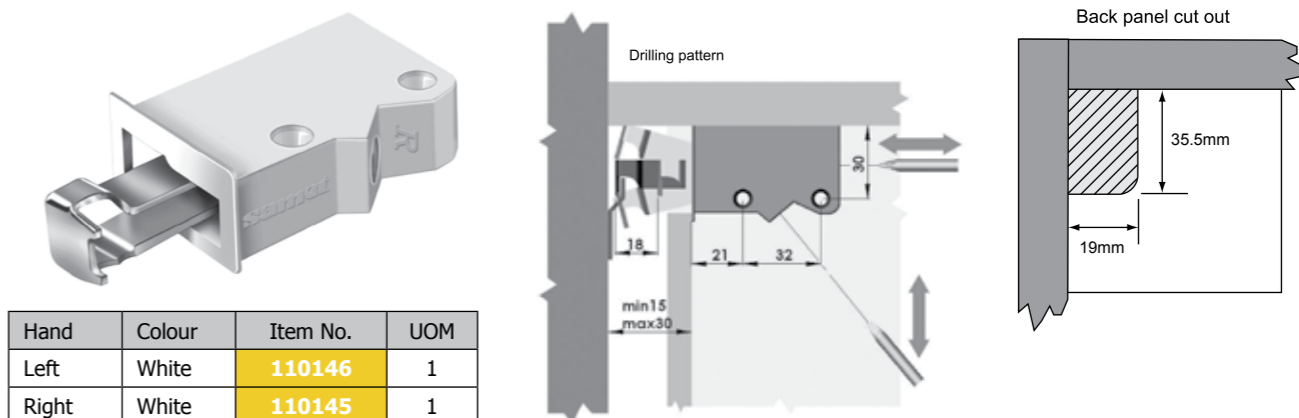
Concealed Cabinet Hanger

Item No.	UOM
110928	1 set



Cabinet Hangers

Surface Mounted Cabinet Hanger



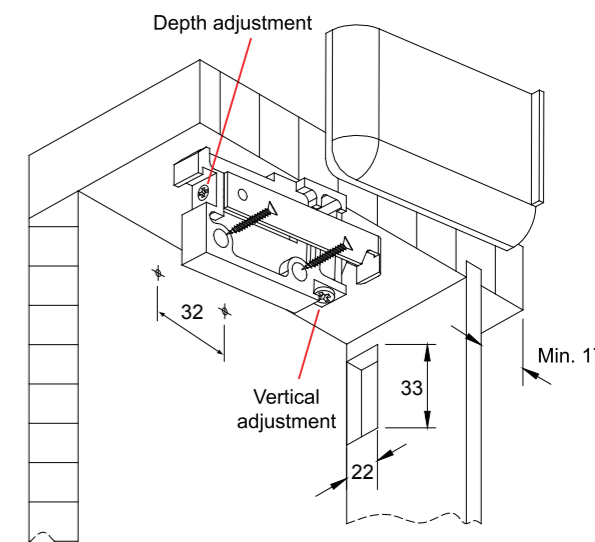
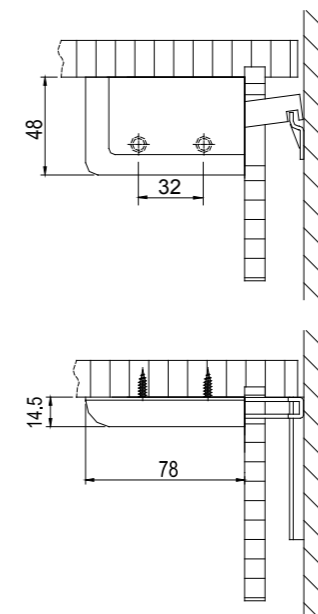
Hand	Colour	Item No.	UOM
Left	White	110146	1
Right	White	110145	1

Must buy plates separately.

Slimline Surface Mounted Cabinet Hanger



Colour	Item No.	UOM
Silver	110932	1 set
White	110933	1 set

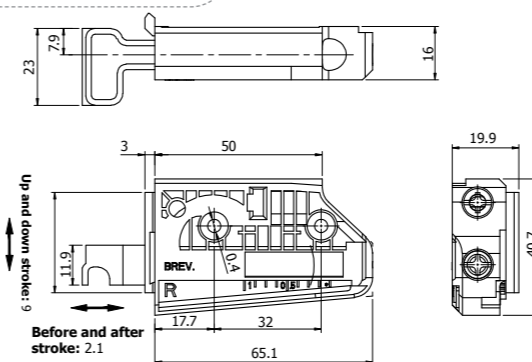


High Quality Surface Mounted Cabinet Hanger



Colour	Item No.	UOM
Silver	280946	1 set

Must buy plates separately.



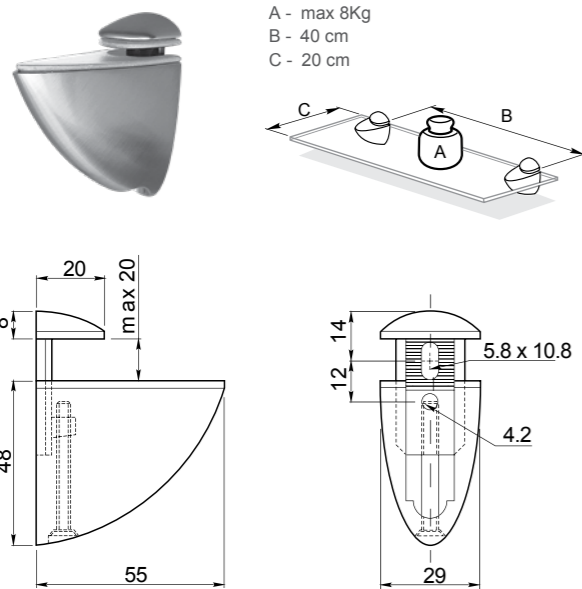
Double Cabinet Hanging Plate



Item No.	UOM
110150	1 set

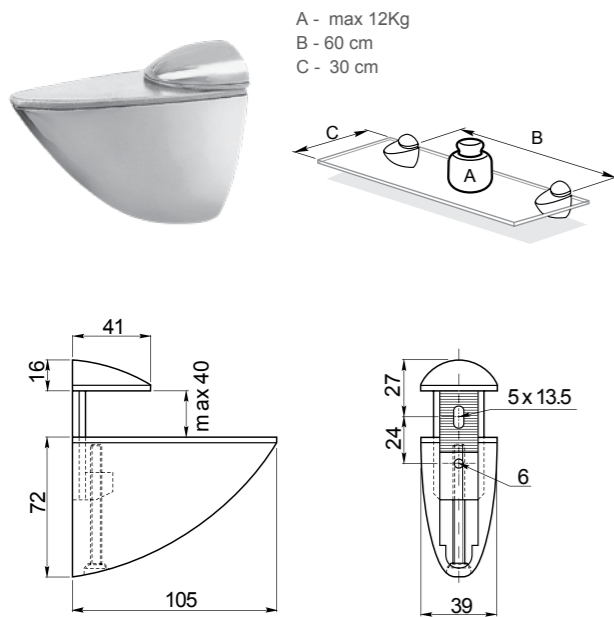
Shelf Supports - For Board and Glass

PELIKAN Shelf support - Small



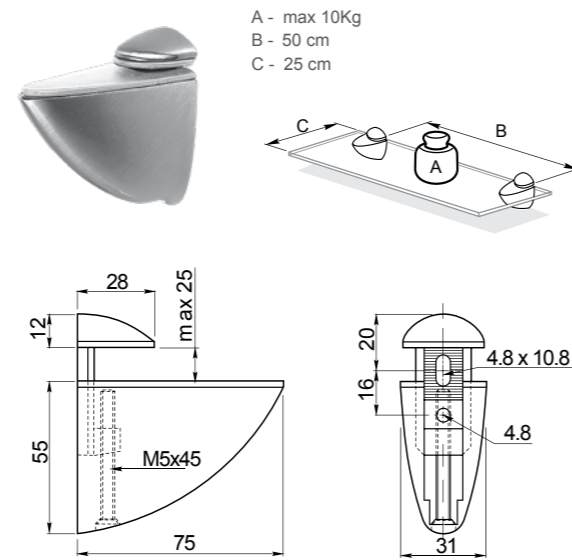
Item No.	Size	Finish	UOM
282578	Small	Polished Chrome	1
282588	Small	Satin Nickel	1
282587	Small	Brushed Nickel	1

PELIKAN Shelf support - Large



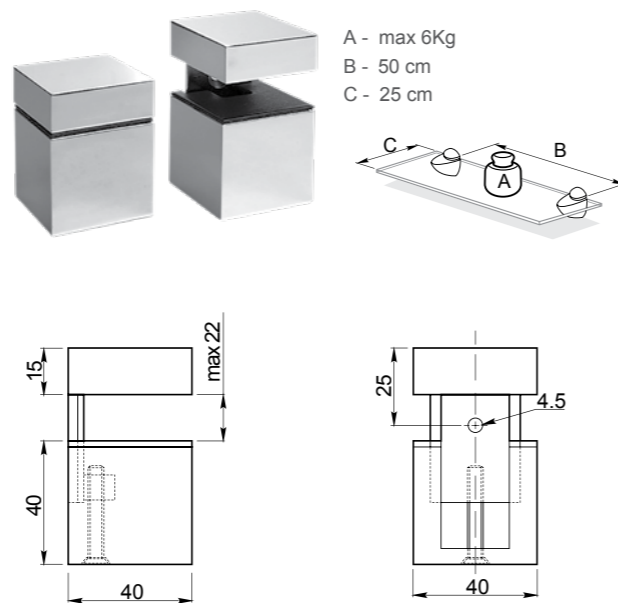
Item No.	Size	Finish	UOM
282593	Large	Polished Chrome	1
282595	Large	Satin Nickel	1
282594	Large	Brushed Nickel	1

PELIKAN Shelf support - Medium



Item No.	Size	Finish	UOM
282590	Medium	Polished Chrome	1
282592	Medium	Satin Nickel	1
282591	Medium	Brushed Nickel	1

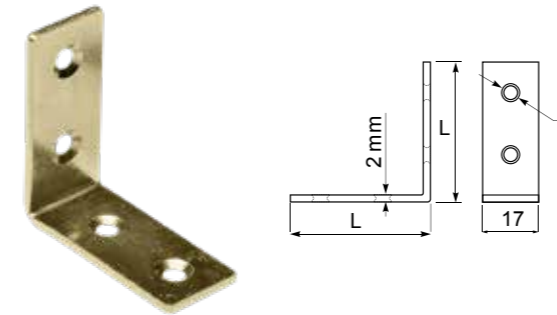
Square Shelf Support



Item No.	Size	Finish	UOM
282596	Small	Polished Chrome	1
282598	Small	Satin Nickel	1
282597	Small	Brushed Nickel	1

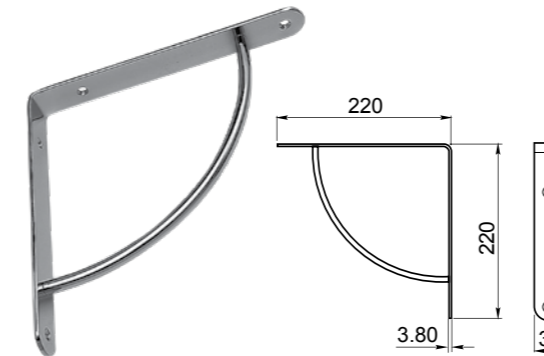
Shelf Supports - For Board and Glass

Angled Brackets



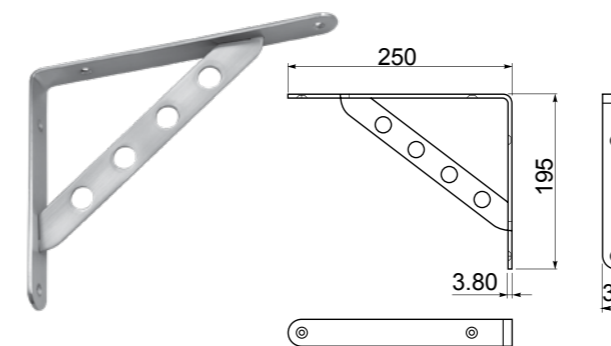
Item No.	Size	Finish	UOM
282600	L = 25 x 25 x 17mm	Brass	100
282601	L = 30 x 30 x 17mm	Brass	100
282603	L = 40 x 40 x 17mm	Brass	100
282604	L = 50 x 50 x 17mm	Brass	100
282605	L = 60 x 60 x 17mm	Brass	100
282606	L = 70 x 70 x 17mm	Brass	100

Shelf Support Bracket - 1



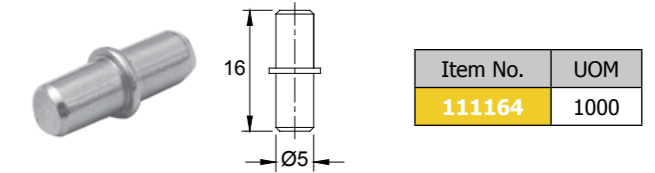
Item No.	Size	Finish	UOM
282573	220mm X 220mm	Polished Chrome	1
282574	220mm X 220mm	Satin Nickel	1

Shelf Support Bracket - 2

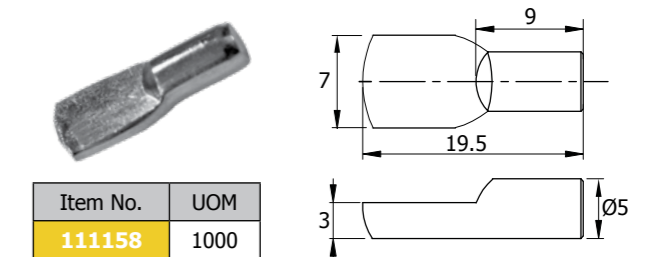


Item No.	Size	Finish	UOM
282575	250mm X 195mm	Polished Chrome	1
282576	250mm X 195mm	Brushed Nickel	1

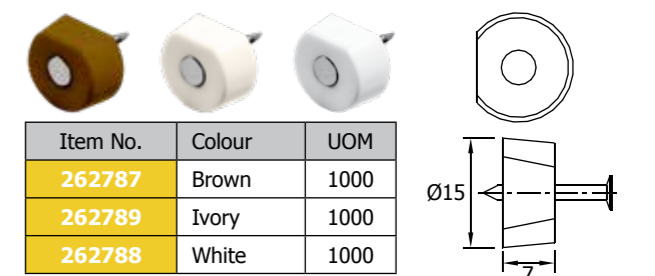
Round Steel Shelf Supports



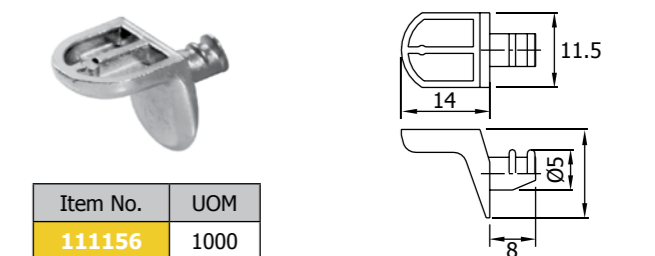
Flat Steel Shelf Supports



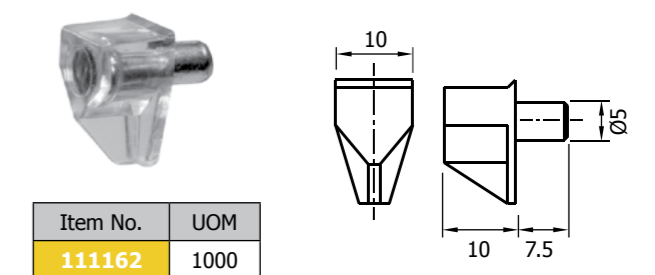
Knock-In Shelf Supports



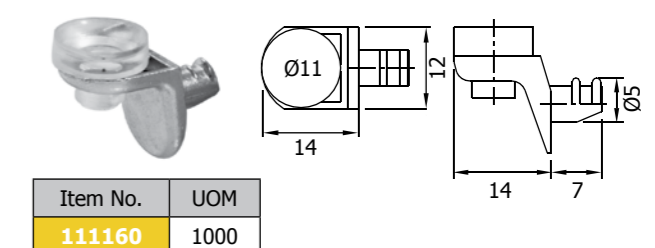
Zinc Alloy Angled Shelf Supports



Steel Shelf Supports - with plastic body

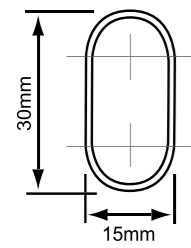
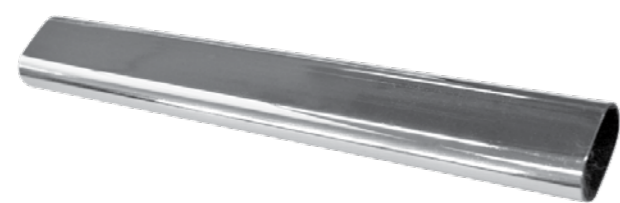


Steel Shelf Supports - with rubber pads for glass



Garment Hanging Rails and Supports

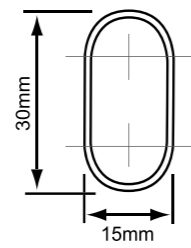
Oval Hanging Rail - Chrome Plated Steel



Length	Item No.	UOM
2.5m	111061	1
3m	111060	1

NB:
3m lengths will incur a higher transport cost.

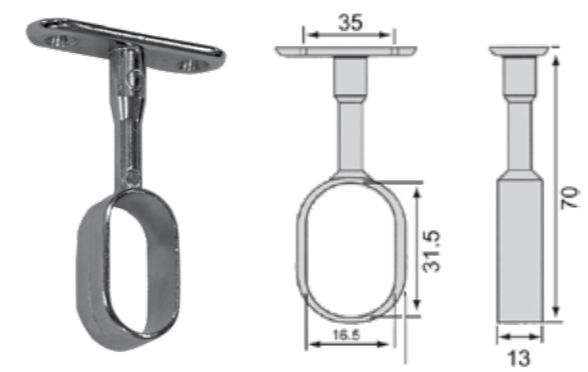
90° Curved Hanging Rail - Chrome Plated Steel



Length	Item No.	UOM
825mm x 825mm	273710	1

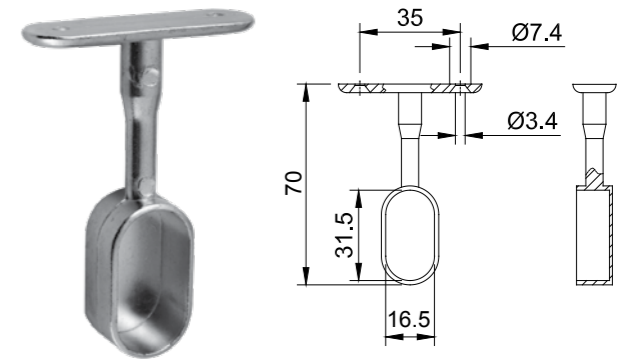
Garment Hanging Rails and Supports

Oval Hanging Rail Mid Support



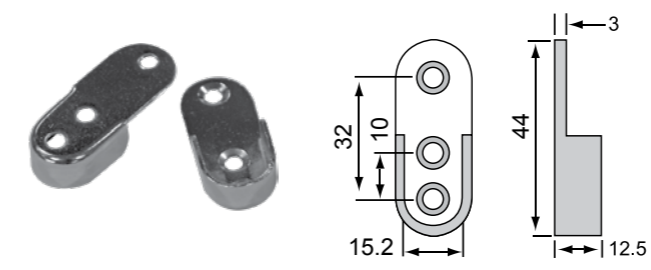
Item No.	UOM
111059	50
140558	1

Oval Hanging Rail Top End Support



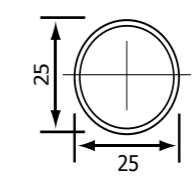
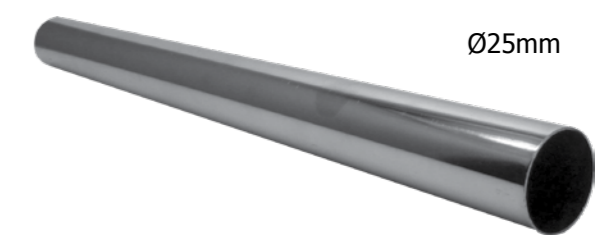
Item No.	UOM
111063	50
141132	1

Oval Hanging Rail End Support



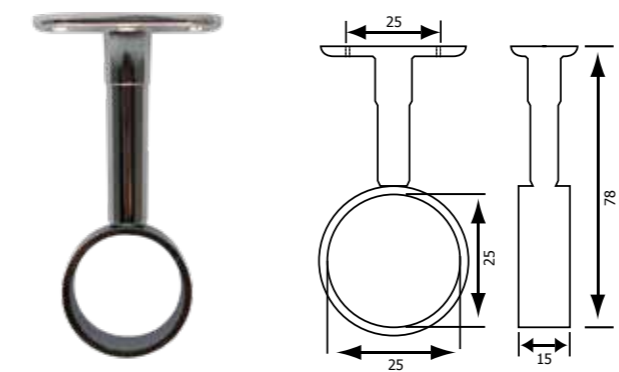
Item No.	UOM
111057	100
111058	1

Round Hanging Rail - Chrome Plated Steel



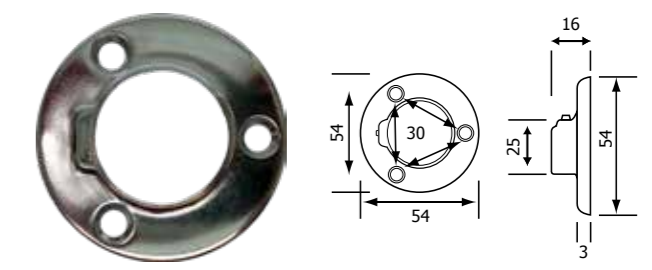
Length	Item No.	UOM
2.5m	263699	1

Round Hanging Rail Mid Support



Item No.	UOM
263701	50
273757	1

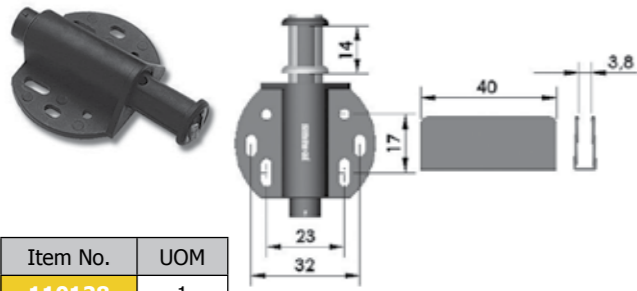
Round Hanging Rail End Support



Item No.	UOM
263700	100
273756	1

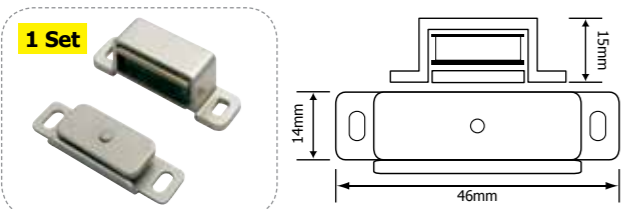
Catches and Dampers

Magnetic Push Catch - Single



Item No.	UOM
110128	1

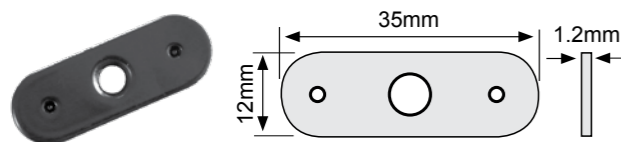
Super Steel Magnetic Catch



Length	Height	Width	Pull	Item No.	UOM
46mm	15mm	14mm	3.5kg	H850	1 set
46mm	15mm	14mm	6.0kg	H840	1 set

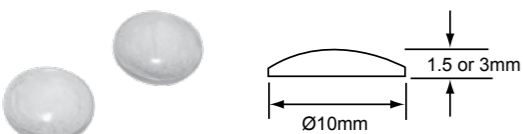
Finishes: Electro Brassed, Nickel Plated, Florentine and Bronze

Strike Plate



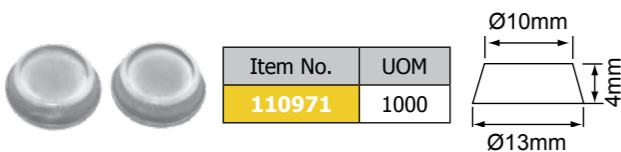
Description	Item No.	UOM
Screw	111079	100

Door and Drawer Damper - Domed



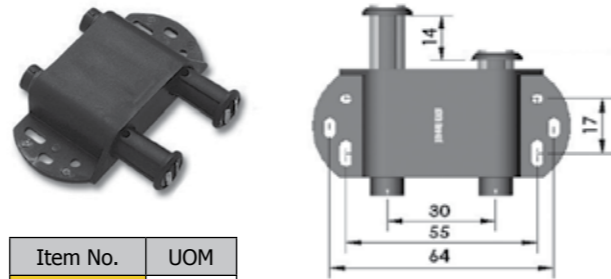
Height	Item No.	UOM
1.5mm	110967	1000
3mm	110969	1000

Door and Drawer Damper - Flat



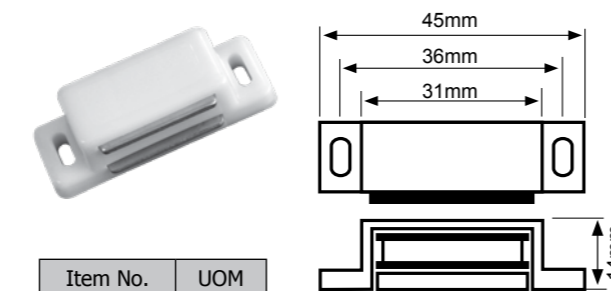
Item No.	UOM
110971	1000

Magnetic Push Catch - Double



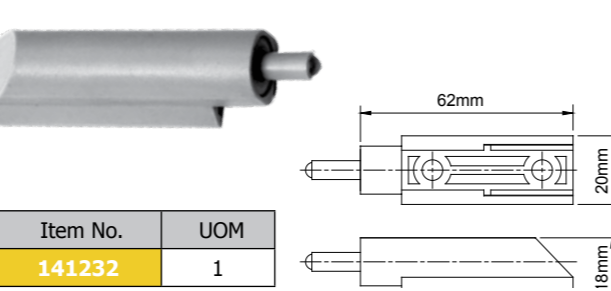
Item No.	UOM
110129	1

Magnetic Catch



Item No.	UOM
111077	100

Soft Closing Buffer



Item No.	UOM
141232	1

Double Roller Catches



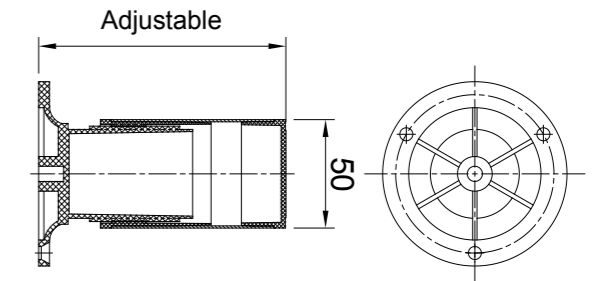
- eco** • Spring loaded • Matching screws
- PLUS** • Nylon roller • Steel catch & counter piece

Item No.	Colour	UOM
191894	Polished Chrome (PC)	100 sets
191897	Aged Copper (AC)	100 sets
191904	Brass (B)	100 sets
191908	Nickel Plated (NP)	100 sets

All supplied with matching screws

Legs and Feet

Decorative Furniture Feet



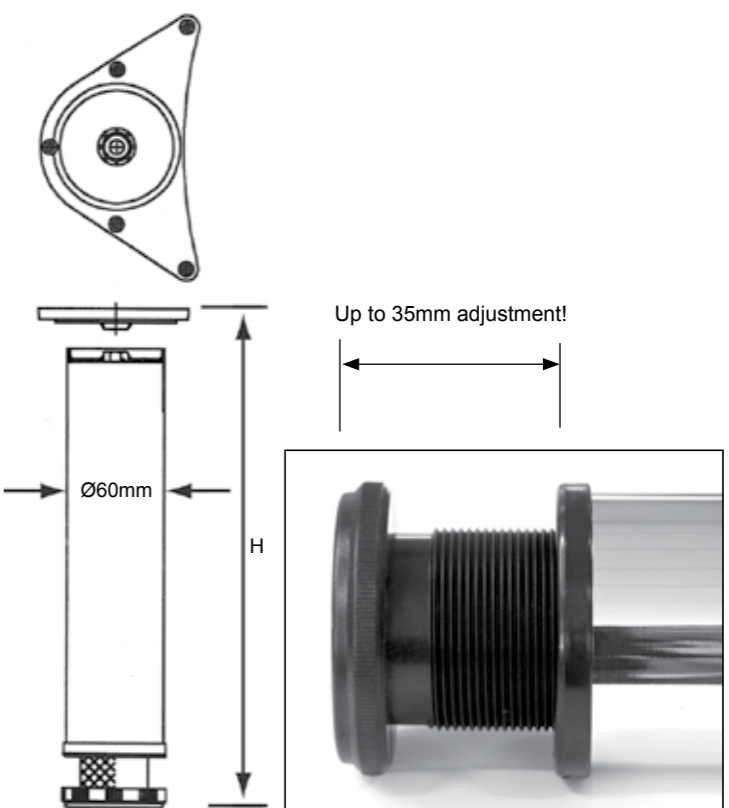
Size	Finish	Item No.	UOM
100 - 120mm	Brushed Nickel	111065	1
150 - 170mm	Brushed Nickel	111067	1
100 - 120mm	Chrome	111066	1
150 - 170mm	Chrome	111068	1



Chrome Plated Legs: Fixing Bracket - Powder Coated



Available as:
Set of 4 or
singles.



Size	Item No.	UOM
H = 710mm	111166	1 Set
H = 710mm	111167	1
H = 870mm	111168	1 Set
H = 870mm	111169	1
H = 1100mm	283714	1 Set
H = 1100mm	283720	1

Legs and Feet

elite

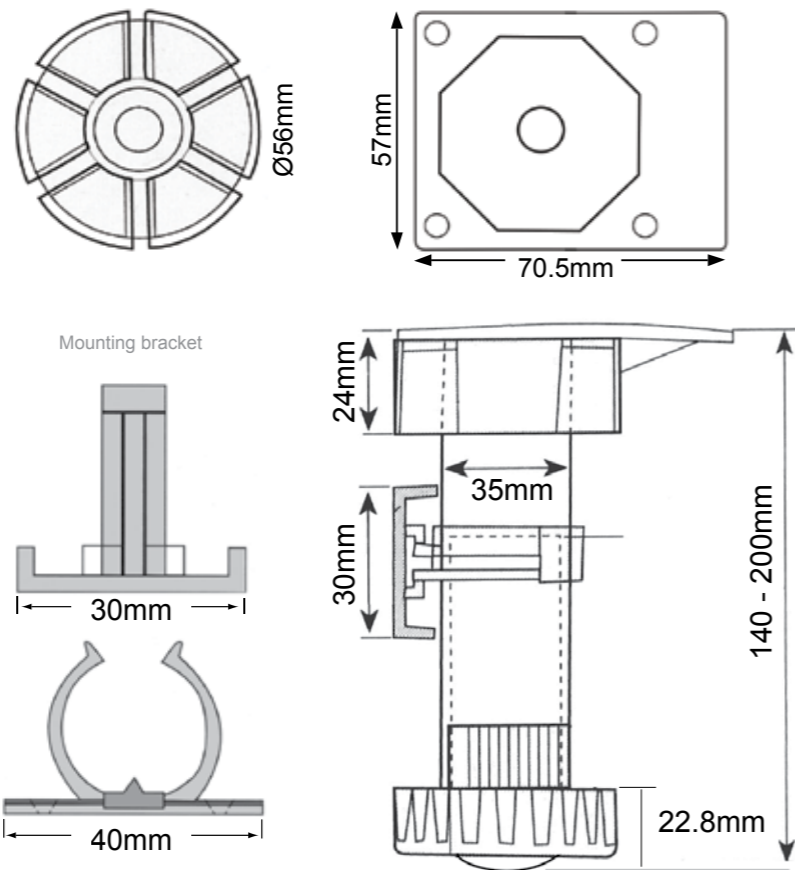
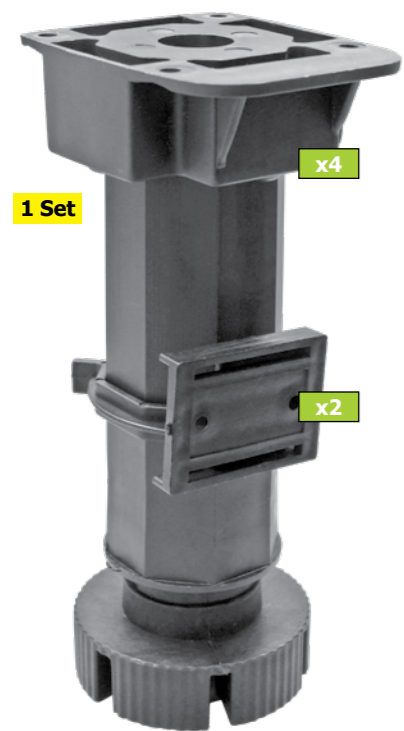
Elite Plinth Feet

Adjusting the cabinet foot height in situ has just become that bit easier.

The rounded base design reduces the surface area in contact with the floor therefore reducing friction. Cabinet stability is not effected.



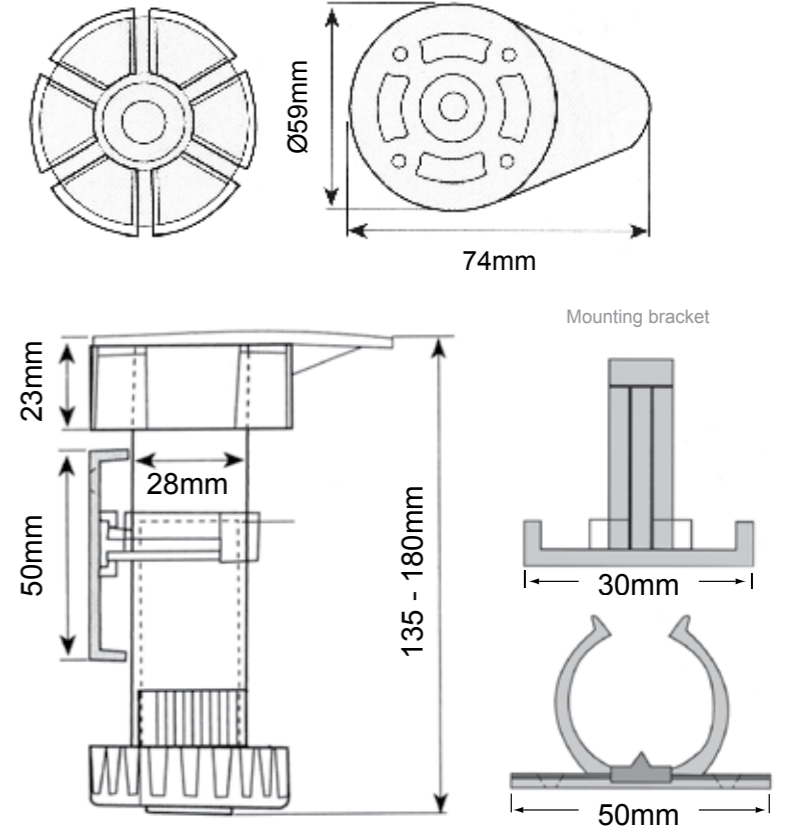
! Tested to Fira **level H** for carcass handling.



Size	Item No.	UOM	Height adjustable from 140mm to 200mm
150mm - Screw-on	282349	1 Set	

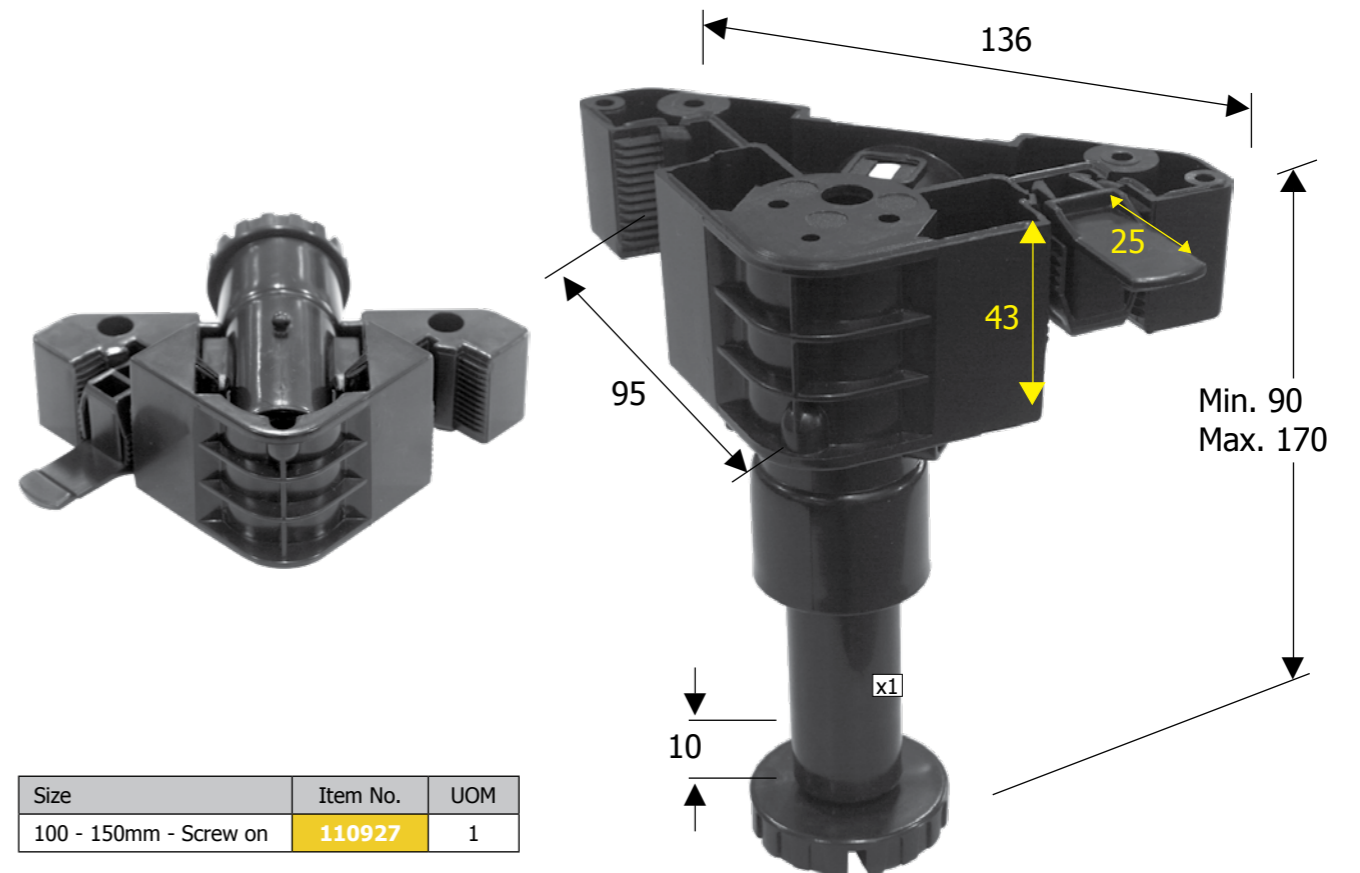
Legs and Feet

Plinth Feet



Size	Item No.	UOM
150mm - Screw-on	110921	1 set
150mm - Dowelled	110920	1 set
100mm - Screw-on	110918	1 set

Multi - Functional Plinth Feet



Size	Item No.	UOM
100 - 150mm - Screw on	110927	1

Self Adhesive Caps

NB: Colours shown are representative only and matches are subjective. NEY recommend samples are viewed prior to order.

Main attributes of self adhesive caps:

- Matching to Egger and Kronospan Decors.
- Exceptionally strong acrylic glue which preserves adhesive properties throughout the use period.
- Thinner than any other cap available on the market.

14mm available in packs of 50 or 10 sheets

- 50 x 25 = 1250 self adhesive caps
- 10 x 25 = 250 self adhesive caps

20mm available in packs of 50 or 10 sheets

- 50 x 28 = 1400 self adhesive caps
- 10 x 28 = 280 self adhesive caps



To request a copy of our FREE self adhesive screw caps colour chart, please call and ask for item: 274898

Woodgrain Colours

Self Adhesive Caps

NB: Colours shown are representative only and matches are subjective. NEY recommend samples are viewed prior to order.

Woodgrain Colours

Self Adhesive Caps

NB: Colours shown are representative only and matches are subjective. NEY recommend samples are viewed prior to order.

Woodgrain Colours

SC838 Nabucco	SC845 Navarra Gray	SC829 Olive Espana	SC936 Alder	SC933 Mountain Alder	SC844 Walnut Baltimore	SC126 Walnut Barcelona	SC877 Natural Dijon Walnut	SC127 Walnut Nice	SC872 Marino Walnut
SC349 Medium Walnut	SC850 Walnut Macchiato	SC350 Ecco Walnut	SC842 Walnut Caravaggio	SC128 Walnut Sank Moriz	SC806 Walnut Aida Tabac	SC828 Aignon Dark Walnut	SC848 Walnut Viva	SC348 Dark Walnut	SC879 Natural Dijon Walnut
SC129 Walnut Tennessee	SC351 Warm Walnut	SC353 Walnut Tabac	SC352 Walnut Select Light	SC168 Rockford Walnut Nat	SC169 Rockford Walnut Dark	SC173 Opera Walnut	SC989 California Walnut	SC878 Champagne Avola	SC884 Avola Grey Stone Pine
SC868 Pompei	SC112 Rockpile	SC855 Sangha Wenge	SC835 Sherwood Light	SC834 Sherwood Mocca	SC159 Pine Aland White	SC861 Bleached Pine	SC869 Pine Chocolate	SC874 Black North Wood	SC329 Pine Bramberg
SC830 Pine Jackson	SC843 Wallis Plum	SC131 Tortona Natural	SC161 Texwood White	SC162 Tirano Pearwood	SC882 Natural Urbano	SC343 Wenge Amari	SC405 Wenge	SC984 Elm Libert Light	SC985 Elm Libert
SC970 Elm Lombardia	SC856 Elm Baron	SC866 Baron Elm Trufel	SC862 Elm Ovid Ovid	SC130 Elm Dark Brown Cape	SC137 Amsterdam Elm	SC988 Liberty Silver Elm	SC174 Noble Elm	SC362 Cherry	SC363 Oxford Cherry
SC818 Kingston Cherry Tabac	SC364 Cherry Formwork	SC361 Riverside Cherry Dark	SC805 Woodline Crème	SC311 Zebrano Classic	SC825 Sand Zebrano	SC986 Carbon Marine Wood	SC983 Vintage Marine Wood		

Self Adhesive Caps

NB: Colours shown are representative only and matches are subjective. NEY recommend samples are viewed prior to order.

Plain Colours

SC978 Aluminium	SC979 Titanium	SC831 Anthracite	SC059 Anthracite 1	SC155 Dark Atelier	SC156 Light Atelier	SC055 Fuchsia	SC052 Light Graphite	SC049 Gray Graphite	SC133 Beige Linen
SC426 Grey Linen	SC108 Light Concrete	SC109 Dark Concrete	SC092 Basalt	SC050 Beige Came	SC318 Alpine White Cold	SC320 White	SC323 White Alaska	SC321 White Gloss	SC322 White Lamb
SC319 White Structure	SC303 White Grey	SC093 Brown Marsh	SC110 Red	SC111 Fiery Red	SC070 Burgundy	SC098 Cappuccino	SC057 Cappuccino 1	SC097 Congo	SC053 Congo 2
SC307 Grey	SC054 Grey 2	SC306 Grey Meadow	SC308 Grey Sandy	SC058 Graphite Grey	SC060 Platinum Grey	SC051 Pearl Grey	SC062 Light Grey	SC152 Smooth Concrete	SC063 Cashmere
SC324 Black	SC325 Black Smooth	SC326 Black Gloss	SC327 Black Lamb	SC085 Atlantic	SC089 Lava	SC056 Safran	SC091 Global Orange	SC086 Iguana	SC067 Lime
SC088 Green Fathers	SC069 Green Peas	SC068 Green Lime	SC094 Vanilla	SC095 Alabaster	SC305 Vanilla 1	SC042 Cashmere	SC043 Blue Tyrolean	SC044 Grey Graphite	SC45 Green Pistachio
SC046 Green Fjord	SC047 Linea White	SC048 Mussel	SC065 Orange	SC074 Sunshine	SC075 Lemon Grass	SC076 Blue	SC082 Lilac	SC061 Flame	

Self Adhesive Caps

NB: Colours shown are representative only and matches are subjective. NEY recommend samples are viewed prior to order.

Colours Match Chart

Colour		Board Supplier				
No.	Description	Kronospan	Kronopol	Pfleiderer	Egger	DDL
SC042	Cashmere	5981				
SC043	Blue Tyrolean				U504	
SC044	Grey Graphite				U961	
SC045	Green Pistachio				U608	
SC046	Green Fjord				U636	
SC047	Linea White			W10140		
SC048	Mussel				U100	
SC050	Beige Came				U216	
SC051	Gray Pearl				U763	
SC052	Light Graphite	0171	U3057		U732	
SC053	Congo 2			U16002	U727	
SC055	Fuchsia			U17019		
SC056	Safran			U1510		
SC057	Cappucino 1	9553				
SC058	Graphite Gray			U12257		
SC059	Antracit 1	0162		U12018, U12290	U960	
SC060	Platinum Gray	0197				
SC061	Flame	7176				
SC062	Light Gray	7045	U119	U16003	U156	
SC063	Cashmere			U12168	U702	
SC065	Orange		U132		U332	
SC067	Lime				U630	
SC068	Green Lime	U3112				
SC069	Green Peas			U19508		
SC070	Burgundy	U5517	U2656		U311	
SC074	Sunshine	U134			U114	
SC075	Lemon Grass	5519				
SC076	Blue	U121				
SC082	Lilac	8534				
SC085	Atlantic			U18074		
SC086	Iguana			U1100		
SC088	Green Fathers			U19515		
SC089	Lava			U12211	U741	
SC091	Global Orange					
SC092	Basalt		U3189			
SC093	Brown Marsh		U185			
SC094	Vanilla	9569			U108	
SC095	Alabaster	0514, 7031	U1301	U11509	U104	
SC098	Cappucino		U3053	U16179	U200	
SC106	Oak Rustic	1903, 9102	D3055			354
SC108	Light Concrete			R48010		535
SC109	Concrete Dark		D3827			
SC110	Red			U17005	U321	
SC111	Fiery Red				U323	
SC112	Rockpile			R50057		

Self Adhesive Caps

NB: Colours shown are representative only and matches are subjective. NEY recommend samples are viewed prior to order.

Colours Match Chart

Colour		Board Supplier				
No.	Description	Kronospan	Kronopol	Pfleiderer	Egger	DDL
SC113	Oak Country	9614				
SC114	Oak Figaro		D3315		H1486	
SC115	Oak Traviata		D3268			
SC117	Oak Madrid		D3801	R20021		538
SC119	Oak New York		D3823			528
SC120	Oak Stockholm	8445	D8417, D3821			
SC121	Oak Warsaw		D3312			540
SC123	American Oak				H1399	
SC124	Oak Nebraska		D3820		H1213	
SC125	Chestnut Toulouse		D3819			
SC126	Walnut Barcelona		D3813		H3773	
SC127	Walnut Nice		D3810			
SC128	Walnut Sank Moriz		D3829		H1101	
SC129	Walnut Tennessee				H3703	
SC130	Elm Dark Brown Cape				H3766	
SC131	Tortona Natural				H3331	
SC132	Crossline Caramel	8362				
SC133	Beige Linen				F425	
SC134	Oak Rome		D3800			
SC135	Chestnut Lviv		D3818			
SC136	Ash Moscow		D1926			
SC137	Elm Amsterdam		D3193			
SC138	Hickory Vancouver		D4207			
SC139	Hickory Montreal		D4205			
SC140	Oak Highland				H3362	
SC141	Oak Cremona				H1250	
SC142	Oak Calais Light				H1319	
SC148	Oak Halifax Light				H1176	
SC149	Oak Halifax Natural				H1180	
SC150	Oak Halifax Tabak				H1181	
SC151	Oak Hamilton Natural				H3303	
SC152	Smooth Concrete			S60010		
SC153	Fineline Mocha	8548				
SC154	Stone Oak	5527				
SC155	Atelier Dark	4299				
SC156	Atelier Light	4298				
SC157	Holm Oak	5529				
SC158	Hacienda White				H3078	
SC159	Pine Aland White				H3430	
SC160	Oak Lancelot			R20027		
SC161	Texwood White			F73051		
SC162	Tirano Pearwood				H3114	
SC163	Oak Lefkas Dark			R20134		
SC164	Oak Palermo Light		D2609			
SC165	Sand Oak	K076				

Self Adhesive Caps

NB: Colours shown are representative only and matches are subjective. NEY recommend samples are viewed prior to order.

Colours Match Chart

Colour		Board Supplier					
No.	Description	Kronospan	Kronopol	Pfleiderer	Egger	DDL	
SC166	Coastland Oak White	K080	D3275	R55006	H3433		
SC167	Bright Artwood	K083	D3275				
SC168	Rockford Walnut Natural	K086					
SC169	Rockford Walnut Dark	K087					
SC170	Nordic Wood Grey	K089					
SC171	Endgrain Oak Raw	K105			H1146		
SC172	Endgrain Eleganc Oak	K107	D2609	R24029 R35013	H1176		
SC173	Opera Walnut	0481		R30019			
SC174	Noble Elm	5500		R20074	H1146		
SC175	Slavonia Oak	5501	D2840	R20128	H3309		
SC303	White Gray			U11500			
SC305	Vanilla 2	0564	U3261	U11523	U222		
SC306	Gray Meadow		U544	U15190	U717		
SC307	Grey	0112	U112		U708		
SC310	Dark Legno	8914	D2380				
SC311	Zebrano Classic	8601					
SC312	Light Legno	8915	D2381				
SC313	Legno Tabac		D8417	R3081			
SC314	Milk Oak	8622					
SC315	Acacia	9755	D7780	R37005	H1615	435	
SC316	Oak		D9130		H3395		
SC317	Natural Aragon Oak			R30039	H3170		
SC318	Alpine White Cold	8681	U8681	U11027			
SC319	White Structure	8685	K101 SE		W1000ST22 W11000ST38		
SC320	White	0101,8100 8685,6459	U511, K110 U3293	W10140	W980SM		
SC321	White Gloss			U11209HG	W1100		
SC322	White Lamb		K101 PE	U11026	W1000		
SC324	Black		U190SE		U999		
SC325	Black Smooth				U999		
SC326	Black Gloss			U12007	U999		
SC327	Black Lamb	0190	U190PE		U999		
SC329	Pine Bramberg			R55008	H1487		
SC330	Mainau Birch	1715		R36002	H1733	380	
SC331	Helsinki Birch				H3758		
SC333	Coco Bolo	8995					
SC334	Beech Artisan Truffle	K014					
SC335	Beech Vienna	K012	D3809				
SC336	Beech Zurich	9419	D3807				
SC337	Beech Bordeaux	K013	D3806			529	
SC338	Beech Brussels		D3805				
SC340	Samerberg Beech	0381			H1528	463,383	
SC341	Beech Fiord Light			R24029			
SC342	Beech Scandic Light			R24030			
SC343	Wenge Amari	9182				468	

Self Adhesive Caps

NB: Colours shown are representative only and matches are subjective. NEY recommend samples are viewed prior to order.

Colours Match Chart

Colour		Board Supplier					
No.	Description	Kronospan	Kronopol	Pfleiderer	Egger	DDL	
SC346	Chestnut	8620, 8948	D2360 D9451				
SC348	Dark Walnut	1925	D9450				
SC349	Medium Walnut	9459					
SC350	Ecco Walnut	9462	D722 D9163			452	
SC351	Walnut Select Warm	K020		R30011			
SC352	Walnut Select Light	K008		R24009			
SC353	Walnut Tabak				H3704		
SC361	Riverside Cherry Dark	K078					
SC362	Cherry	1792					
SC363	Oxford Cherry	088	D088				
SC364	Cherry Formwork			R42009			
SC374	Bordeaux Oak		D3349	R20074		544	
SC375	Gray Oak	7504 K002			H3090	519	
SC376	Grey Bardolino Oak			R20128	H1146		
SC377	Oak Sand Sanremo	D4139					
SC378	Oak Craft Tobacco	K004					
SC379	Oak Urban Amber			R55007			
SC400	Macassar	D8994			H3025		
SC401	Macassar Ceylon	6973, 8971					
SC403	Macassar Pf			R50009			
SC405	Wenge	8625, 9763					
SC407	Stone Pine		D2226	H1116	H1199		
SC409	Sycamore Royal	8621		R20158 R27017		450	
SC426	Gray Linen				F426		
SC445	Bavaria Beech				H1511		
SC468	Larch Sibiu			R55028			
SC469	Borgsjo					548	
SC525	Mahogany	0402	D466		H3080		
SC527	Ash Navara				H1250		
SC529	Oak Graphite			R20065			
SC740	Oak Calais	9103 0757					
SC741	Mountain Oak Light	0740					
SC742	Cantori Oak	5112			H3309 H3451		
SC805	Woodline Creme	8443			H1401		
SC806	Aida Walnut Tabac	8405					
SC807	Oak Winchester	8617			H3382		
SC811	Pear	0375					
SC812	Maple King			R27001	H1521		
SC814	Dark Ferrara Oak				H1137		
SC815	Cremona Oak Sandy		D3275			525	
SC817	Antracit Oak		D3165		H3306		
SC818	Kingston Cherry Tabac	8618					
SC819	Birch Island Brown				H3711		
SC823	Urban Oak Oyster	K003	D5194 D3276		H3730	545	
SC825	Sand Zebrano			R42009			

Self Adhesive Caps

NB: Colours shown are representative only and matches are subjective. NEY recommend samples are viewed prior to order.

Colours Match Chart

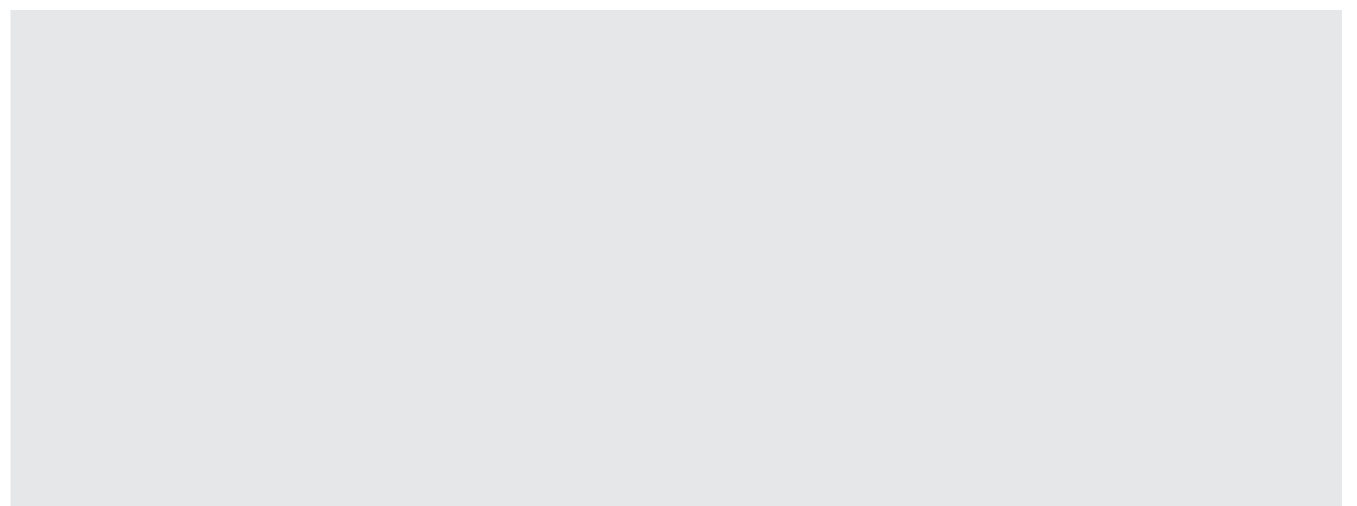
Colour		Board Supplier				
No.	Description	Kronospan	Kronopol	Pfleiderer	Egger	DDL
SC829	Olive Espana			R50030		
SC830	Pine Jackson					534
SC831	Anthracite	0164	U3114 U162		U963	
SC834	Sherwood Mokka	5105	D3159		H3325	
SC835	Sherwood Light					
SC837	Paris Oak		D2039, D3195	R3127		
SC838	Nabucco			R3144		
SC842	Walnut Caravaggio		D9164, D2611			
SC843	Wallis Plum	8880	D8880		R35003	474
SC847	Hiteak	K018	D3813	R55004		
SC848	Walnut Viva	5503				
SC849	Oak Latte			R20064		
SC850	Walnut Macchiato	7947	D2842, D2419		H1114, H3398	518
SC851	Oak Lindberg	8431	D8567	R20095	H1444	
SC853	Eco Ash		D3166			
SC854	Cinnamon Acacia	K004				
SC856	Elm Baron		D3191	R37001		
SC858	Sonoma Oak	3025	D3025	R20128	H1145	541 517
SC859	Sonoma Oak Tabac	K007		R20031		526
SC861	Bleached Pine		D3168			
SC864	Wild Oak Tabac		D2453		H1113	
SC866	Elm Braon Trufel		D3167 D3273 D3799	R37003		
SC867	Dark Birch Fathers	5122	D3817		H1151	454
SC868	Pompei			R3218		
SC869	Pine Chocolate					527
SC870	Bodega Light		D3160, D3316			
SC871	Royal Oak	5117	D2840			
SC872	Marino Walnut		D2841, D3811			
SC873	Fineline Cream	D8547	D3158	R55006	H3433 H3450	
SC874	Black North Wood		D4103		H3081	
SC875	Light Ferrara Oak				H1334	
SC876	Natural Nebraska Oak			R20119	H3303	
SC877	Natural Dijon Walnut				H3734	
SC878	Champagne Avola				H1476	
SC879	Pacific Natural Walnut				H3700	
SC880	Natural Merano	7935			H1636	
SC881	Brown Oak Orleans				H3047 H3133	521
SC882	Natural Urbano				H3070	
SC884	Avola Gray Stone Pine			R55032		
SC930	Maple Vancouver	1783	D9475			542
SC931	Maple	1738		R27024		
SC933	Mountain Alder	9411, 1912			H3113	
SC936	Alder	0685	D9310			398, 214
SC962	Apple Locarno	1792	D1972			509
SC964	Wild Pear	1625	D2361			455

Self Adhesive Caps

NB: Colours shown are representative only and matches are subjective. NEY recommend samples are viewed prior to order.

Colours Match Chart

Colour		Board Supplier				
No.	Description	Kronospan	Kronopol	Pfleiderer	Egger	DDL
SC965	Calvados	1937	D9300			456
SC968	Apple Locarno Dark	1972				
SC970	Elm Lombardia	5116, 5194				
SC971	Ash Coimbra	8653		R38002	H1277	
SC972	Sand Lyon Ash	6596, 8921	D2843	R35018		
SC973	Brown Cassino Ash	8545				
SC976	White Swiss Larch		D2605	R55001	H1424	475
SC978	Aluminium	0881	D881	F70004	F509	
SC979	Titanium				F501	
SC980	Beech Iconic				H3991	
SC981	Arlington Oak Natural	D8995				
SC982	Oak Brunico		D3264 D3313		H3326 H1212	
SC983	Vintage Marine Wood	K015			H3154	511
SC984	Elm Libert Light	K017		R42006		
SC985	Elm Libert	K018		R20147		546
SC986	Carbon Marine Wood	K016		R20033	H3342	
SC987	Oak Camarge					
SC989	California Walnut			R30039		



To request a copy of our FREE self adhesive screw caps colour chart, please call and ask for item number: 274898

NEY Coventry T: 024 7630 8100
 NEY Ireland T: 028 92 673 000
 NEY Scotland T: 01786 814 814



DOOR SYSTEMS



DOOR SYSTEMS

TABLE OF CONTENTS



Contents:

Natural wood sliding door systems	232
Sliding and folding door systems	236
Decofix aluminium framed doors	270

NATURAL WOOD

sliding door systems



Sophisticated mechanical and aesthetic solutions.

The shaker style system has four frame finishes, three of which have an Egger board match, the fourth being a designer led Siberian Oak allowing you to be more creative and unique with the finish of the furniture.



Available Finishes

The benefits this has over an aluminium framed system is that the feel and finish of the wood material is warmer and more inviting and has a much larger profile which creates a more luxurious piece of furniture.



The natural wood is engineered in multiple layers and directions to ensure the rigidity of the profiles

Applications

- Wardrobe, office doors.

Features

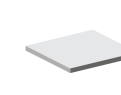
- Bottom running system.
- Easily installed and durable.
- Quiet sliding action.
- High quality real wood profiles.
- Max. Load per leaf - 50kg.
- Max. Height 2.7m.
- Ball bearings with silencing tyres.
- Ideal for luxury interiors.
- No panel preparation required.
- Overlapping sliding doors.



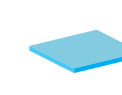
Ball Bearing



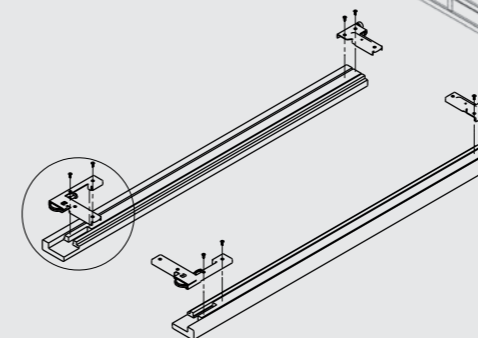
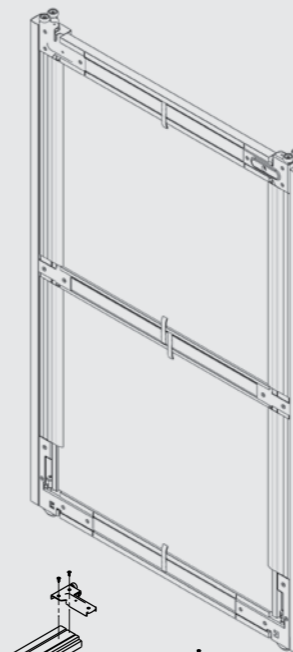
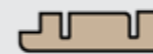
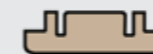
50Kg



4/8mm Board



4/8mm Mirror or glass



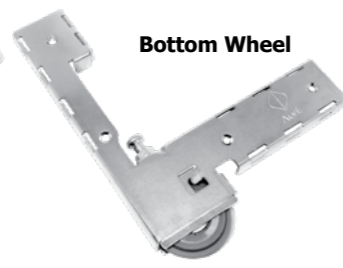
Options

Wheels

Top Wheel



Bottom Wheel



Item No.	Wheels	UOM
281397	Top Wheel Connector Right Hand	1
281398	Top Wheel Connector Left Hand	1
281399	Bottom Wheel Connector Right Hand	1
281400	Bottom Wheel Connector Left Hand	1

Divider Rail and Profile Hook-Up Fitting



Item No.	Divider Rail - 2700mm	UOM
281394	Divider Profile Siberian Oak	1 Length
281392	Divider Profile Light Oak	1 Length
281395	Divider Profile Tobacco Walnut	1 Length
281393	Divider Profile Winchester Oak	1 Length
281473	Divider Profile Hook-Up Fitting	1 Length

Handles



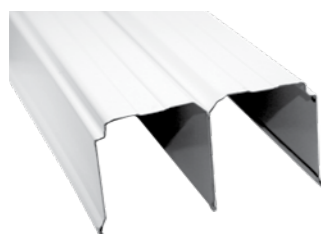
Item No.	Handles - 2700mm	UOM
281382	Handle Profile R/H Siberian Oak	1 Length
281383	Handle Profile L/H Siberian Oak	1 Length
281378	Handle Profile R/H Light Oak	1 Length
281379	Handle Profile L/H Light Oak	1 Length
281384	Handle Profile R/H Tobacco Walnut	1 Length
281385	Handle Profile L/H Tobacco Walnut	1 Length
281380	Handle Profile R/H Winchester Oak	1 Length
281381	Handle Profile L/H Winchester Oak	1 Length

Top Track Fascia



Item No.	Top Track Fascia - 2700mm	UOM
281458	Top Track Fascia Siberian Oak	1 Length
281410	Top Track Fascia Light Oak	1 Length
281459	Top Track Fascia Tobacco Walnut	1 Length
281457	Top Track Fascia Winchester Oak	1 Length

Top Track Steel



Item No.	Top Track Steel	UOM
283784	Steel Top Track 2m White	1 Length
283785	Steel Top Track 3m White	1 Length
284853	Steel Top Track 4m White	1 Length

Options



Rigid Bars



- Used to stop the door bowing.
- Holds door filling in place.

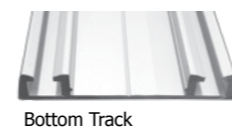
Item No.	Rigid Bars - 2500mm	UOM
281461	Rigid Bar - 4mm Glass	1 Length
281462	Rigid Bar - 8mm Board / Glass	1 Length

Top & Bottom Rail



Item No.	Top & Bottom Rail - 2700mm	UOM
281390	Top And Bottom Profile Siberian Oak	1 Length
281388	Top And Bottom Profile Light Oak	1 Length
281391	Top And Bottom Profile Tobacco Walnut	1 Length
281389	Top And Bottom Profile Winchester Oak	1 Length

Bottom Tracks



Bottom Track Cover

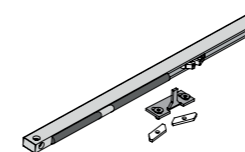
Bottom Track

Bottom Track with Cover



Item No.	Bottom Tracks	UOM
281401	Bottom Double Aluminium Track 2m Silver	1 Length
281402	Bottom Double Aluminium Track 3m Silver	1 Length
281403	Bottom Double Aluminium Track 4m Silver	1 Length
281406	Aluminium Track Cover 2m Silver	1 Length
281407	Aluminium Track Cover 3m Silver	1 Length
281408	Aluminium Track Cover 4m Silver	1 Length

Soft Close System



Item No.	Soft Close System	UOM
LA001672	For doors +20Kg	1

Screws

Item No.	Wood Screws	UOM
281469	Selftapping Screw 3.0 x 16mm	1
281470	Selftapping Screw 3.0 x 25mm	1

Sliding Door System Types

ALUMINIUM FRAMED

Rama Plus | Multi Omega | Mini Cabinet | Sloping | Smart



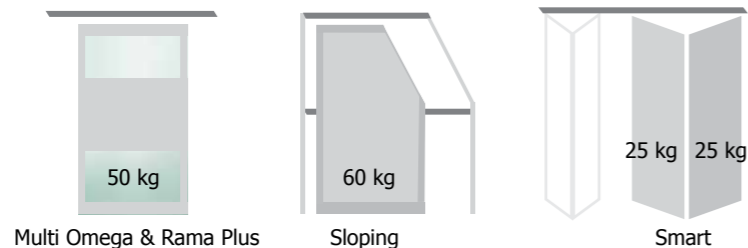
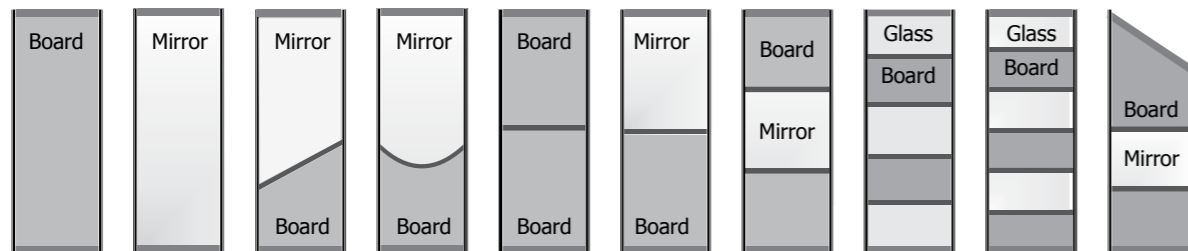
- Sliding doors on double track.
- Suitable for multiple door leaves.
- Sliding and folding doors.
- Sloping wall and ceiling solutions for loft conversions.
- Free standing furniture and wardrobes.
- Wardrobes between walls.
- 4 / 6mm thickness for glass and mirror.
- 8, 16, 18mm thickness for boards and panels.

Door leaves collection

The door leaves collection offers a wide range of different opening and closing methods. This allows you to create a wide range of different combinations when creating your bespoke furniture.



Door styles



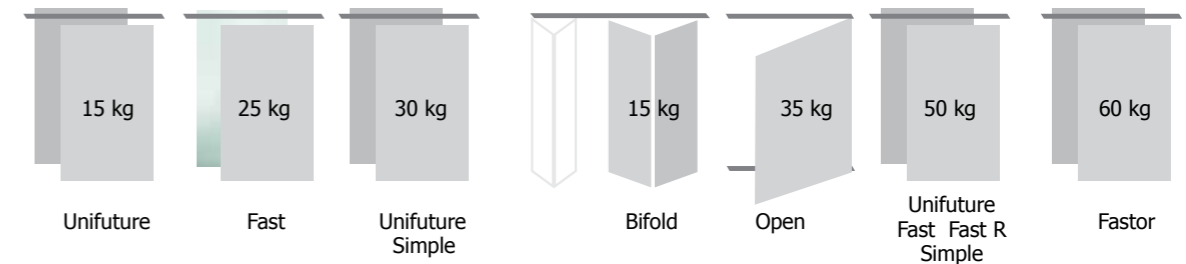
Sliding Door System Types

FREE STANDING FURNITURE

Unifuture | Superior Plus | Fast | Fastor | Fast R | Bifold



- Side open sliding door.
- Able to pass each other on 1, 2 or 3 rails.
- Built in plinths.
- Surface mounted sliding doors.
- Overlapping doors.
- Curved doors.
- Small and large doors.
- Suitable for interior, wall to wall, free standing and curved wardrobes.
- 16 - 40mm thickness for boards and panels.



INTERNAL SLIDING AND FOLDING DOORS

Standard | Porta Glass Lux | Stanfold

- Synchronously opening 2 doors.
- Folding doors - 2 and 4 leaves.
- No doorstep, passage doors.
- Single and double door leaves.
- 4, 6, 8, 10 and 12mm thickness for glass and mirror.
- 16 - 40mm thickness for boards and panels.




Self Assembly Sliding Door Systems

RAMAPLUS



See Page 239

MULTI-OMEGA



See Page 242

MINI CABINET




See Page 244

SLOPING



See Page 246

SMART



See Page 248

SUPERIOR PLUS




See Page 250

UNIFUTURE | FUTURE




See Page 252

FAST



See Page 254

FASTOR



See Page 256

FAST R



See Page 258

BIFOLD



See Page 260

STANDARD



See Page 262

PORTA GLASS LUX



See Page 264

STANFOLD



See Page 266

RAMA PLUS Sliding door system

ALUMINIUM FRAMED

Rama Plus is our flagship sliding door system. It's bottom running with a full aluminium framework around the door. The profiles are designed for 18mm, 16mm or 4mm fillings which will allow you to mix between board and glass. No need to bond glass to board or use an unsightly gasket. The bottom guide is fitted into a lower profile and not onto a panel.



Applications

- Wardrobe doors.
- Room divider (Intero handle).

Features

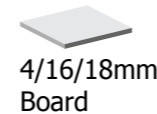
- Bottom running system.
- Easily installed and durable.
- Quiet sliding action.
- Max. Load per leaf - 50kg.
- Max. Height 2.7m.
- Ball bearings with silencing tyres.
- Stylish designs.
- No panel preparation required.
- Overlapping sliding doors.



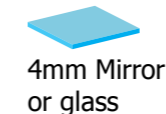
Ball Bearing



50Kg



4/16/18mm Board



4mm Mirror or glass



Natural



Champagne



Light gold



Black



Brushed nickel



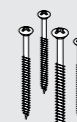
White

Kit contents for 1 x door

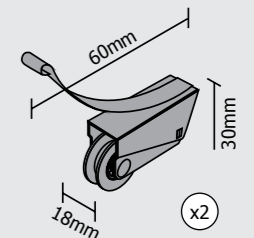
NB: Please add your choice of upper guide hardware



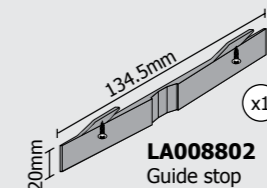
LA008821
Hole plug



Screw kit



LA008816
Adjustable lower guide hardware
RAMA

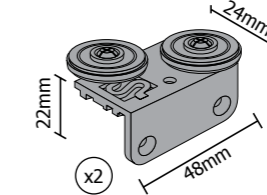


LA008802
Guide stop

Kit Options for Upper Guide

LA088111 1 Door

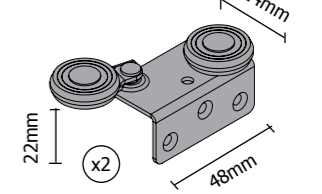
Plastic upper guide hardware



(x2)

LA088111-06 1 Door

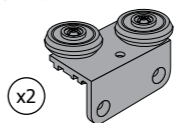
Spring Assisted Steel upper guide hardware



(x2)

LA088111-03 1 Door

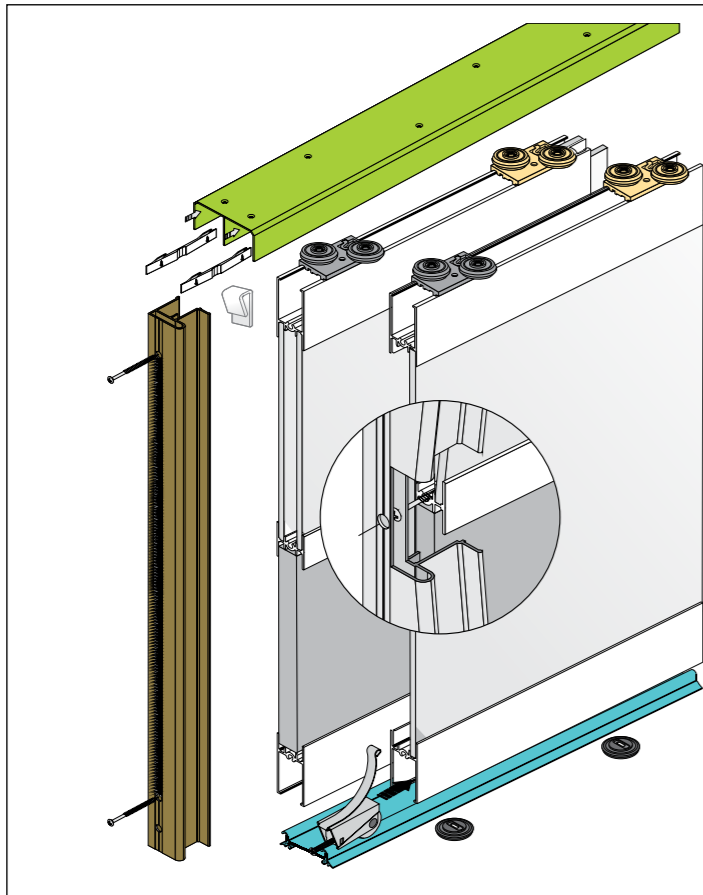
Steel upper guide hardware



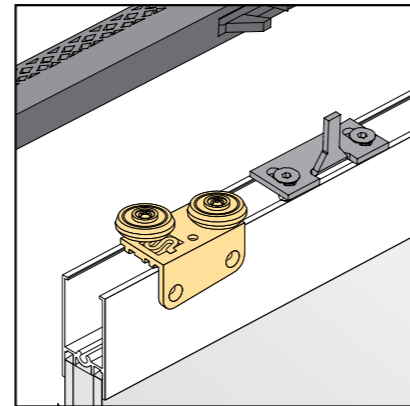
(x2)

RAMA PLUS System overview

ALUMINIUM FRAMED

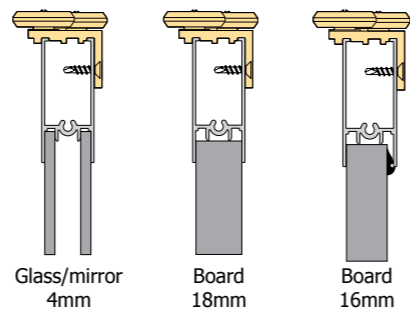


Alternative fixings



LA001672 Optional - Soft close system

Profile in-fills



Accessories

LA008176
Wedges for glass

LA008829
Anti-jump plate

LA001672
Soft close 50Kg

LA008815
Gasket (required for 16mm panels)

LASR0088 Self adhesive
LASR0090 For brush type handle

LASR0089 Self adhesive Anti-dust brush 6.7 x 12mm

LASR0099 Anti-Impact Brush 6.7 x 12mm x 150m roll

Lock with keys
LA001900 (Natural)
LA001904 (Champagne)
LA001905 (Light gold)

Essentials - Handle Profiles 2.7m long

Rama Plus
LA008820 (Natural)
LA008824 (Champagne)
LA008825 (Light gold)
LA008826 (Black)
LA008821 (White)

Rama Brush
LA008920 (Natural)
LA008924 (Champagne)
LA008926 (Black)
LA008929 (Brushed nickel)
LA008921 (White)

Multi-Omega
LA008770 (Natural)
LA008774 (Champagne)
LA008775 (Light gold)
LA008776 (Black)
LA008779 (Brushed nickel)
LA008771 (White)

Multi-Omega Brush
LA008710 (Natural)
LA008714 (Champagne)
LA008716 (Black)
LA008719 (Brushed nickel)
LA008711 (White)

Intero
LA008130 (Natural)
LA008134 (Champagne)
LA008135 (Light gold)

RAMA PLUS System overview

ALUMINIUM FRAMED

Essentials

Lower guide rail 1

Colour	2m Length	3m Length	4m Length
Natural	109702	109703	109704
Champs	109713	109714	109715
LG	267551	109716	109717
Black	140378	109721	109722
BN	262119	262120	262121
White	272811	272812	272813

Lower guide rail 2

Colour	2m Length	3m Length	4m Length
Natural	279753	279758	279763
Champagne	279755	279760	279765
Black	279756	279761	279766
Brushed Nickel	279757	279762	279767
White	279754	279759	279764

Panel connector

Colour	2m Length	3m Length	4m Length
Natural	109783	109784	109785
Champagne	109787	109788	109789
Light Gold	109791	109792	109793
Black	135345	109794	109795
Brushed Nickel	262125	262126	262127
White	272821	272822	272823

Upper guide rail

Colour	2m Length	3m Length	4m Length
Natural	109764	109765	109766
Champagne	109768	109769	109770
Light Gold	109771	109772	109773
Black	109774	109775	109776
Brushed Nickel	262116	262117	262118
White	272815	272816	272817

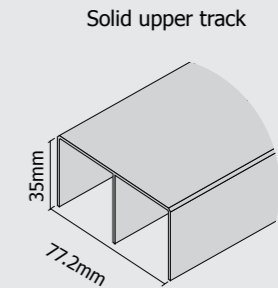
NB: Walls are all 0.8mm thick

Panel holder profile

Colour	2m Length	3m Length	4m Length
Natural	109751	109752	109753
Champagne	109755	109756	109757
Light Gold	109758	109759	109760
Black	109761	109762	109763
Brushed Nickel	262122	262123	262124
White	272818	272819	272820



Additional Tracks

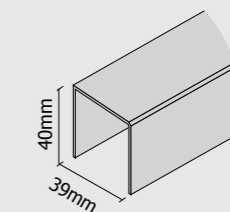


Colour: Natural

2m Length	284920
3m Length	284921
4m Length	284922

NB: Walls are all 1.2mm thick

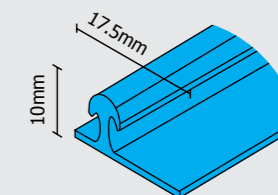
Single upper track



Colour: Natural

2m Length	284918
3m Length	250440
4m Length	284919

Aluminium lower track



Colour: Natural

2m Length	109826
3m Length	109827
4m Length	109828

MULTI-OMEGA Sliding door system

ALUMINIUM FRAMED

A bottom running system where the bottom guide fits onto the rear of the door. If using glass, it needs to be mounted onto a 12mm board and you can either have the glass edges polished or fit a handle profile. This system is perfect for doors where just an 18mm panel is being used as it is quick to assemble and cost effective. An option is to just have a panel that is cut and edged with no framework around.

Applications

- Wardrobe doors.

Features

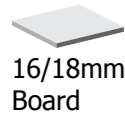
- Bottom running system.
- Easily installed and durable.
- Quiet sliding action.
- Max. Load per leaf - 50kg.
- Max. Height 2.7m.
- Ball bearings with silencing tyres.
- Overlapping sliding doors.



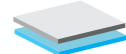
Ball Bearing



50Kg



16/18mm Board



12mm board + 4mm Mirror or glass



Natural



Champagne



Light gold



Black



Brushed nickel



White



Essentials - Handle Profiles 2.7m long

<p>Multi-Omega</p> <ul style="list-style-type: none"> LA008770 (Natural) LA008774 (Champagne) LA008775 (Light gold) LA008776 (Black) LA008779 (Brushed nickel) LA008771 (White) 	<p>Omega</p> <ul style="list-style-type: none"> LA008860 (Natural) LA008864 (Champagne) LA008865 (Light gold)
<p>Multi-Omega Brush</p> <ul style="list-style-type: none"> LA008710 (Natural) LA008714 (Champagne) LA008716 (Black) LA008719 (Brushed nickel) LA008711 (White) 	<p>FOR BRUSH STRIP</p>

Accessories

<p>LASR0089 Self adhesive Anti-dust brush 6.7 x 12mm</p>	<p>LA001672 Soft close 50Kg</p>
<p>Anti-impact brush 4.8 x 6mm</p>	<p>LASR0099 Anti-Impact Brush 6.7 x 12mm</p>
<p>LASR0090 For brush handle</p>	<p>LA008890 (Natural)</p>
<p>LA008894 (Champagne)</p>	<p>LA008804 Double sided tape for plant-on divider rail</p>
<p>Panel connector</p> <ul style="list-style-type: none"> LA008180 (Natural) LA008184 (Champagne) LA008185 (Light gold) 	

MULTI-OMEGA System overview

ALUMINIUM FRAMED

Alternative fixings

LA001672 Optional - Soft close system

Profile in-fills

Glass/mirror 4mm	Glass/mirror 4mm + board 12mm	Board 18mm	Board 16mm

Kit Options for Upper Guide

<p>LA008009 1 Door</p> <p>Plastic upper guide hardware</p>	<p>LA008009-03 1 Door</p> <p>Steel upper guide hardware</p>
---	--

Kit contents for 1 x door

NB: Please add your choice of upper guide hardware

LA008802 Guide stop (x1)

LA008800 Lower guide (x2)

Screw kit (x1)

Kit Options for Upper Guide

LA008009-06 1 Door

Spring Assisted Steel upper guide hardware

Essentials

Track lengths available: 2/3/4m

<p>Lower guide rail</p> <ul style="list-style-type: none"> LA008203 Lower fixing LA008209 (Natural) LA008221 (Champagne) LA008222 (Light gold) LA008226 (Black) LA0082099 (Brushed nickel) LA0082091 (White) 	<p>Upper guide rail</p> <ul style="list-style-type: none"> LA008840 (Natural) LA008844 (Champagne) LA008845 (Light gold) LA008846 (Black) LA008849 (Brushed nickel) LA008841 (White)
---	--

MINI CABINET Sliding door system

ALUMINIUM FRAMED

The Mini Cabinet is a sliding door solution for ether glass or board. It has a low weight capacity so is a perfect system for smaller doors. When using glass there must be aluminium framework. This is a very good sliding solution using just an 18mm panel. The Mini cabinet is a bottom running system.

Applications

- Kitchen cupboards.
- Bathroom cabinets.

Features

- Bottom running system.
- Easily installed and durable.
- Quiet sliding action.
- Max. Load per leaf - 15kg.
- Overlapping sliding door (inset only).
- Ball bearing with silencing tyres.
- Surface mounting hardware.
- Adjustable upper / lower travel hardware.



Ball Bearing



15Kg



16/18mm Board



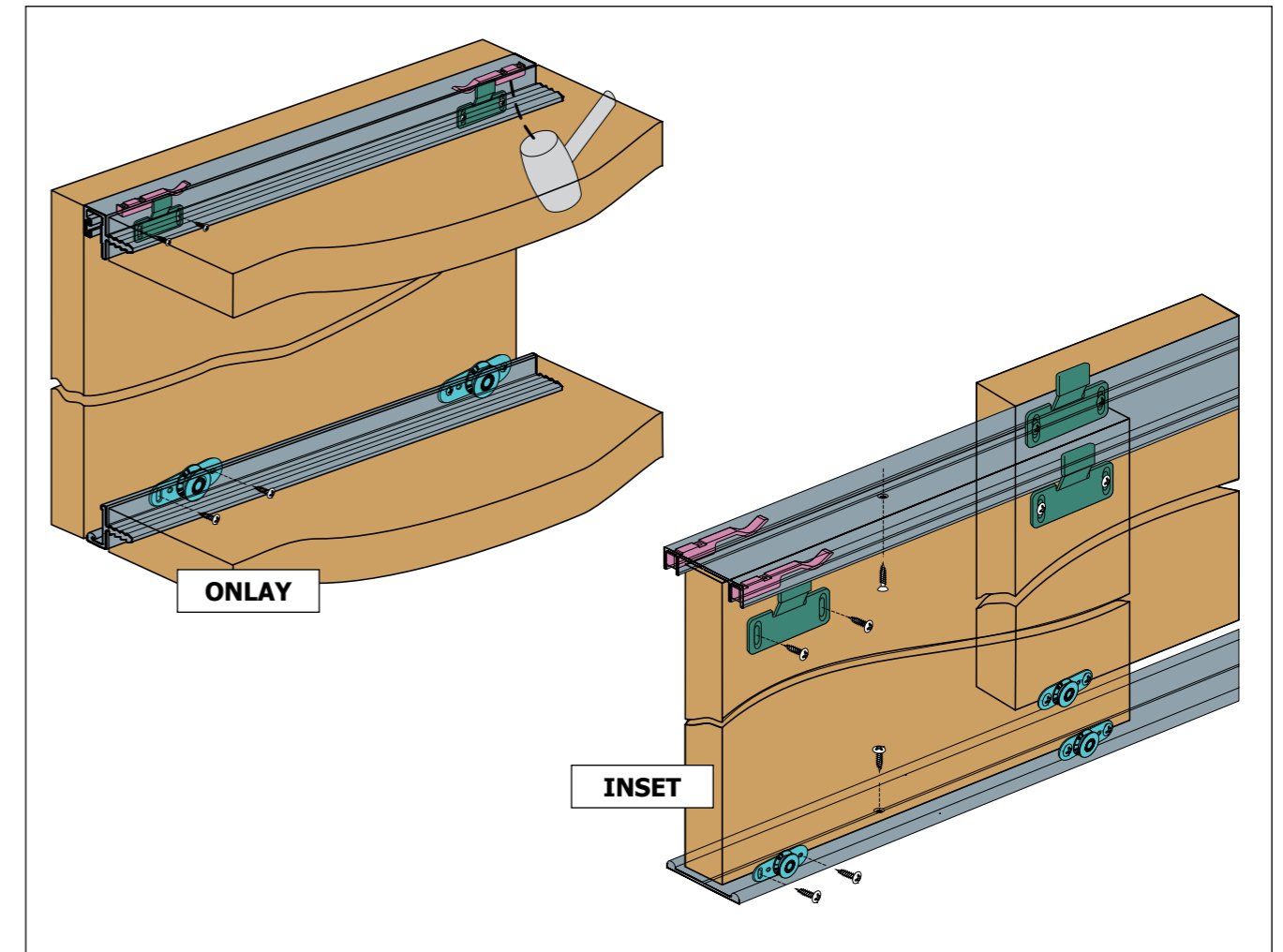
Natural



MINI CABINET
Sliding door system

MINI CABINET System overview

ALUMINIUM FRAMED



Kit contents for 1 x door

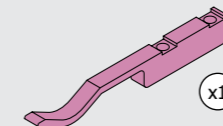
LA000008 1 Door - Inset

LA000007 1 Door - Overlay



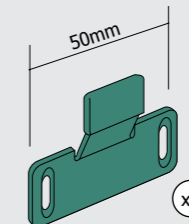
Screw kit

(x1)



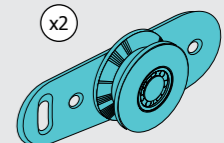
LA000004
End catch

(x1)



LA000002
Upper travel hardware

(x2)

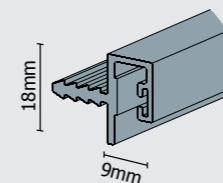


LA000006
Lower travel hardware

(x2)

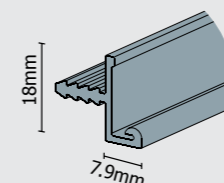
Accessories

Optional guide rails for onlay door / single track system only.
Track length available: 3m



LA001565

Upper guide rail

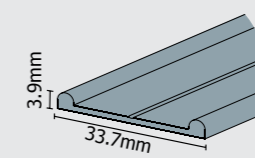


LA001566

Lower guide rail

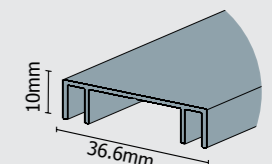
Essentials

Track length available: 3m



LA001563

Lower guide rail



LA001564

Upper guide rail

SLOPING Sliding door system

ALUMINIUM FRAMED

Our sloping solutions are used with either the Rama Plus or Multi-Omega sliding systems. On an angled door it is not possible to stabilise the door in the top track. The solution is to stabilise the door at a different level with the sloping guide and upper rail. We also offer a simple solution for sloping ceilings.

Applications

- Sloping wall solutions.
- Wardrobes in loft conversions.

Features

- Adaptable to Rama Plus, Multi-Omega systems.
- Bottom running system.
- Easily installed and durable.
- Quiet sliding motion.
- Ball bearing with silencing tyres.
- Stylish design.
- Overlapping sliding doors.



Ball Bearing



40/50Kg

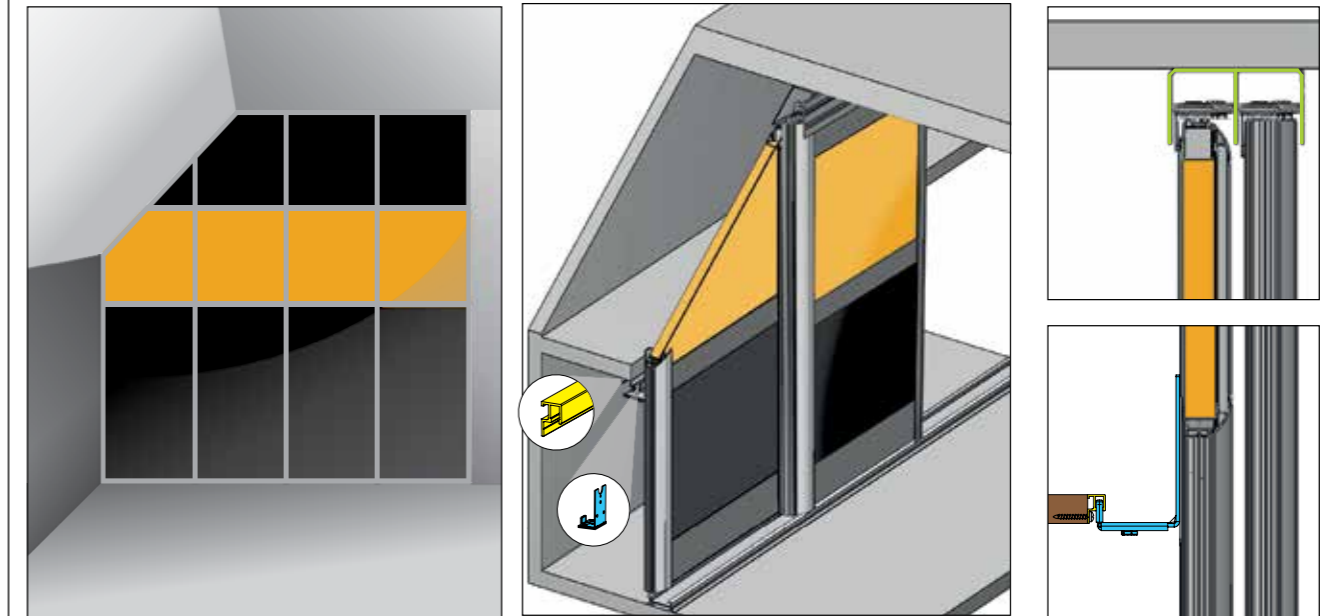


SLOPING
Sliding door system

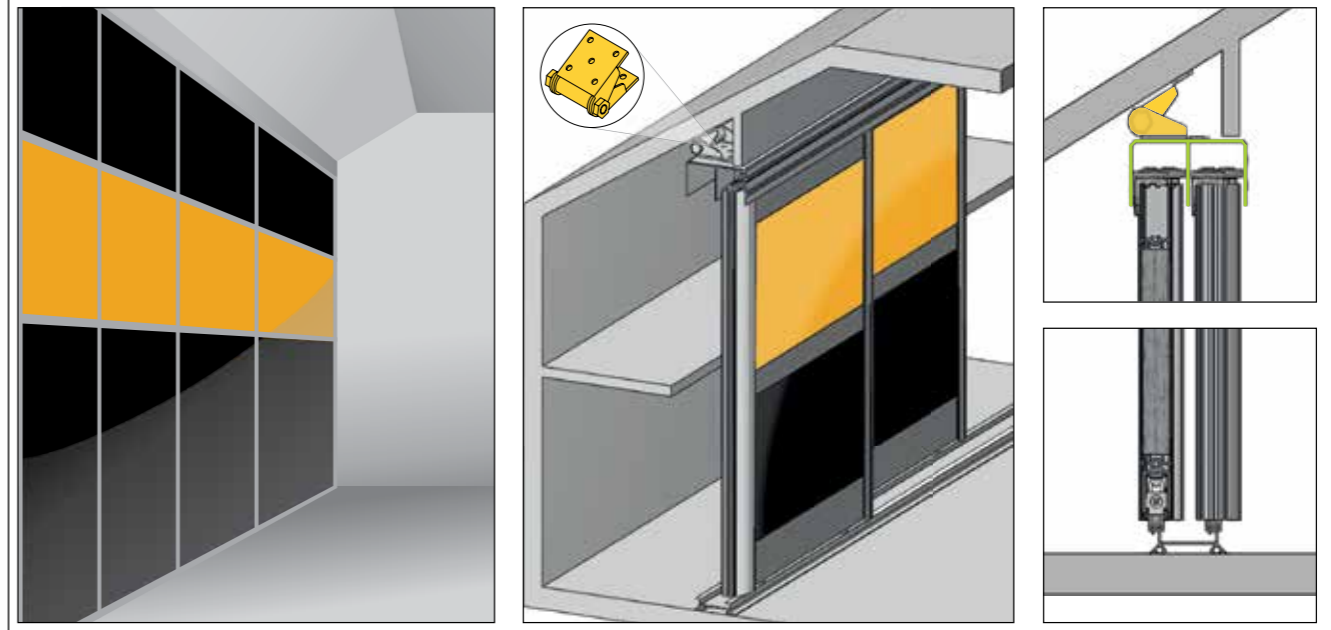
SLOPING System overview

ALUMINIUM FRAMED

1 System for sloping doors.



2 System for sloping ceilings.



Essentials

<p>1</p> <p>LA003300 Sloping guide</p>	<p>2</p> <p>LA008082 Upper rail fastener for sloping ceilings</p>	<p>1</p> <p>Track length available 3m</p> <p>LA00K021 Upper guide rail</p>	<p>1 2</p> <p>Track lengths available: 2/3/4m</p> <p>LA008840 Upper guide rail</p>
---	--	---	---

SMART Folding door system

ALUMINIUM FRAMED

The smart system is unique in its function as it combines both a sliding and folding mechanism in the same system. It is a top hung system with a bottom track so there is no fixed position and the doors can move freely along the full width of the opening. Doors can be fully or partially framed with the Prestige handle strip, or you can simply use 18mm panels.

Applications

- Wardrobes.
- Office cupboards.

Features

- Combined folding and sliding system.
- 2 Leaves per set - load 50kg .
- Heavy duty ball bearings with silencing tyres.
- Easily installed and durable.
- Quiet sliding action.
- Left and right traverse.
- Adjustable tensioning catch-bolt hinge.



50Kg



Ball Bearing



18mm Board



Natural



Champagne



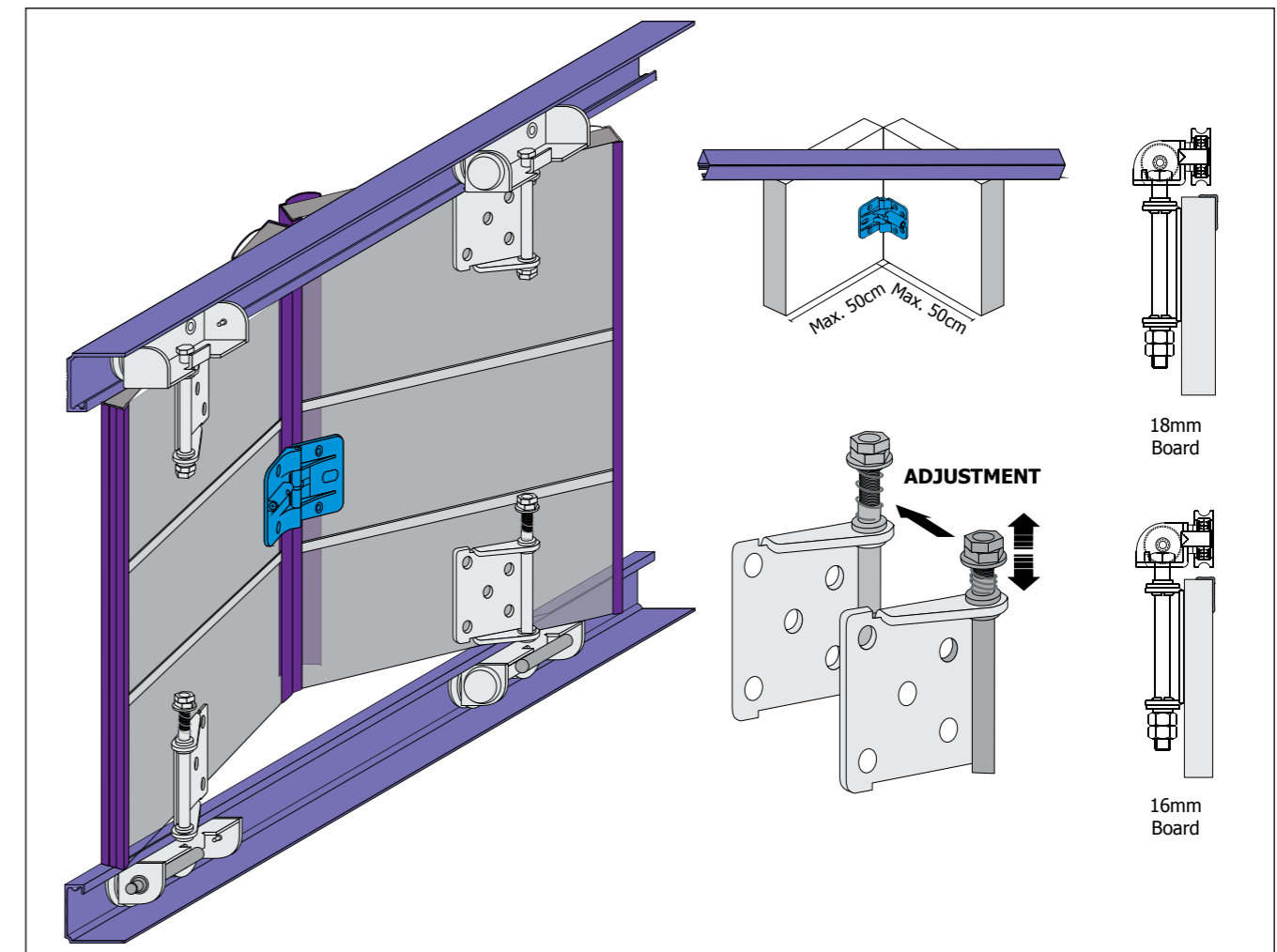
Light gold



SMART
Sliding door system

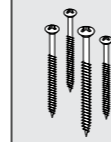
SMART System overview

ALUMINIUM FRAMED



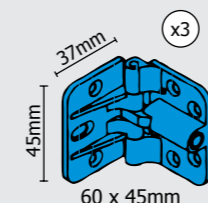
Kit contents for 1 x door

LA088191 1 Door



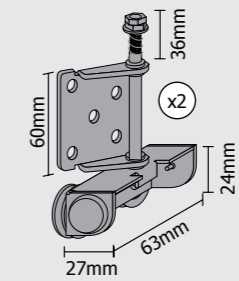
Screw kit

x1



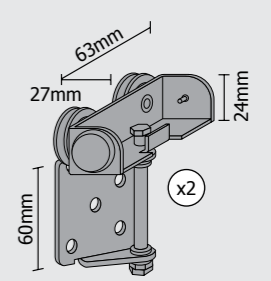
60 x 45mm
LA001177
Silver LUX catch-bolt hinge

x3



LA066192
Adjustable lower travel hardware 2 bearings Ø30mm

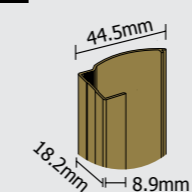
x2



LA066191
Adjustable upper travel hardware 2 bearings Ø30mm

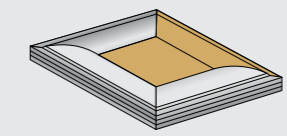
x2

Accessories



Prestige edge strip 2700mm

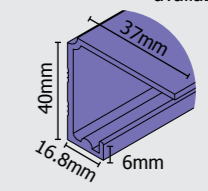
- LA008970** (Natural)
- LA008974** (Champagne)
- LA008975** (Light gold)



Prestige edge strip

Essentials

Track lengths available: 3m or 4m



- Upper / lower guide rail
- LA006660** (Natural)
 - LA006664** (Champagne)
 - LA006665** (Light gold)

SUPERIOR PLUS Sliding door system

FREE STANDING FURNITURE

The Superior Plus system is our premium top hung sliding door system. It is used on free standing cabinets where the lower track is concealed under a plinth. Superior Plus is our only top hung system that has a soft close option.

Applications

- Wardrobe doors.
- Overlay wardrobe doors.

Features

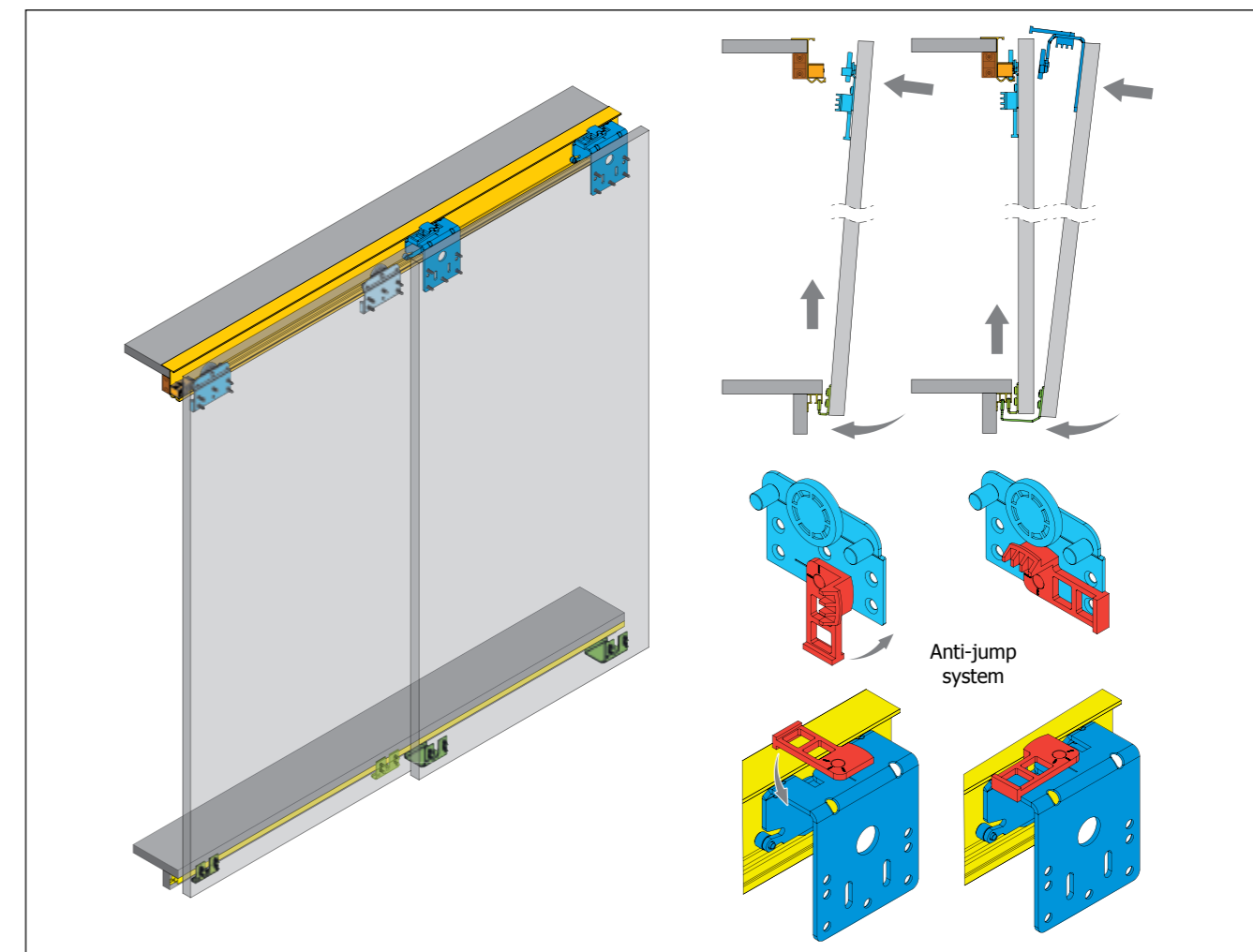
- Top hung system.
- Easily installed and durable.
- Quiet sliding action.
- Max. Load per leaf - 60kg.
- Ball bearing with silencing tyres.
- Surface mounting hardware.
- Overlapping doors.
- Upper & lower rails concealed.
- Soft close mechanism.



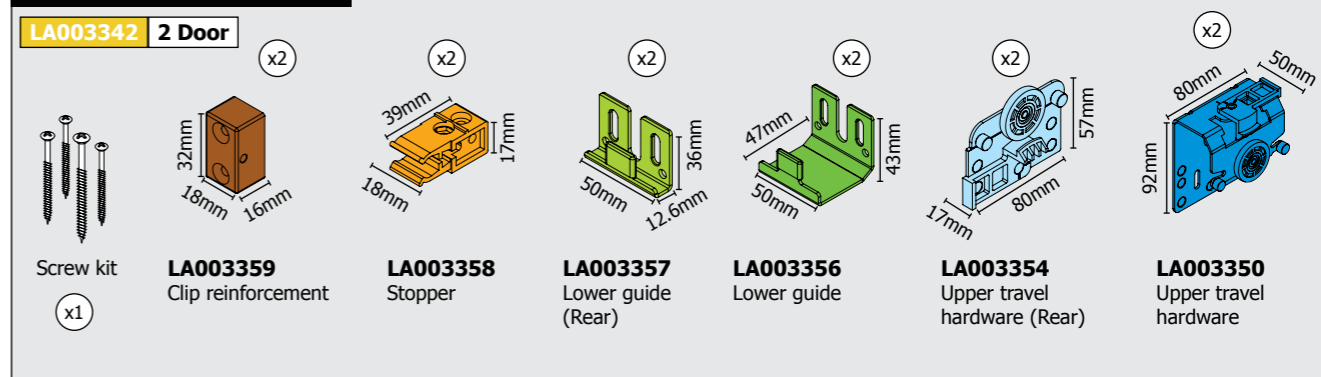
SUPERIOR PLUS
Sliding door system

SUPERIOR PLUS System overview

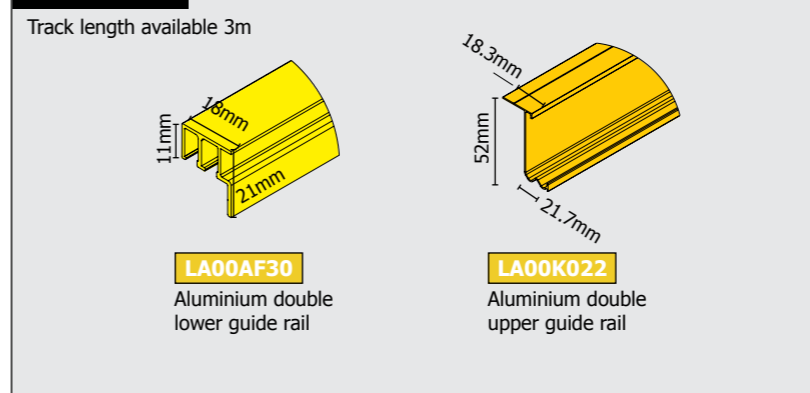
FREE STANDING FURNITURE



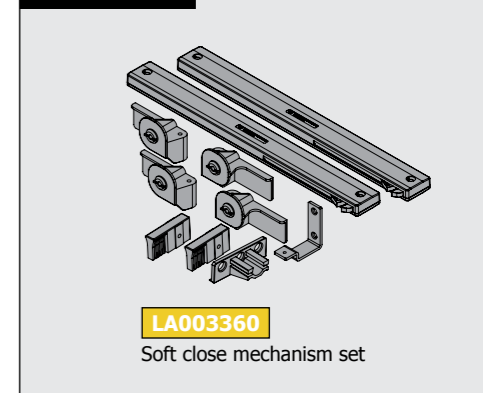
Kit contents for 2 x doors



Essentials



Accessories



UNIFUTURE | FUTURE Sliding door systems

FREE STANDING FURNITURE

The Future system is a basic top hung sliding door system to be used on free standing furniture. With the removal of the bottom track this can also be used (Unifuture) in a fitted wardrobe.

Applications

- Wardrobe doors.

Features

- Top hung system.
- Easily installed and durable.
- Quiet sliding action.
- Max. Load per leaf - 30 or 50kg.
- Ball bearings with silencing tyres .
- Fastening components made of galvanized steel.
- Surface mounting hardware.
- Overlapping sliding doors.



Ball Bearing



50Kg



18-40mm Board

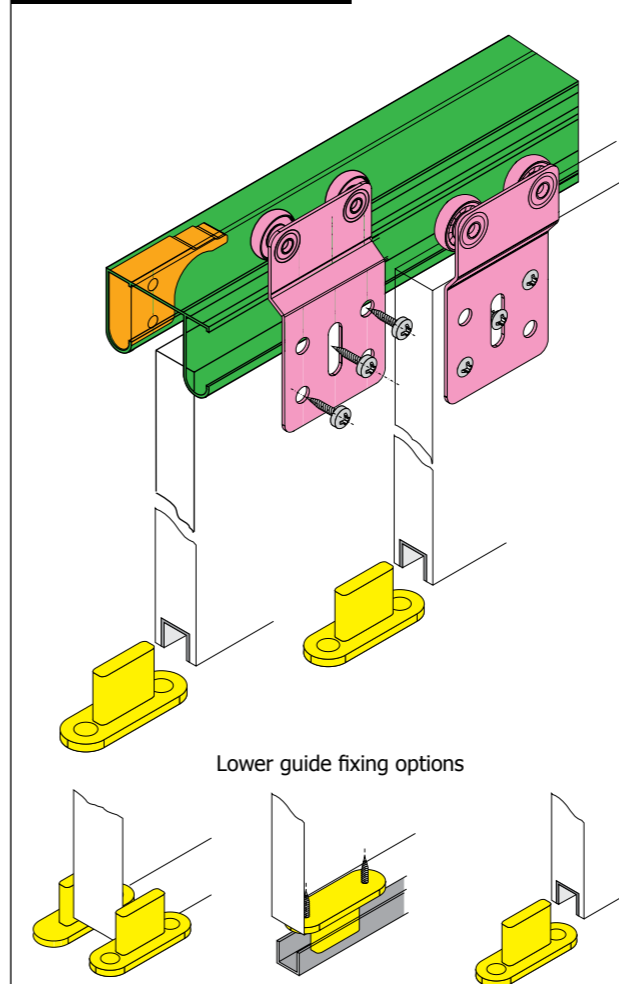


UNIFUTURE | FUTURE
Sliding door system

UNIFUTURE | FUTURE System overview

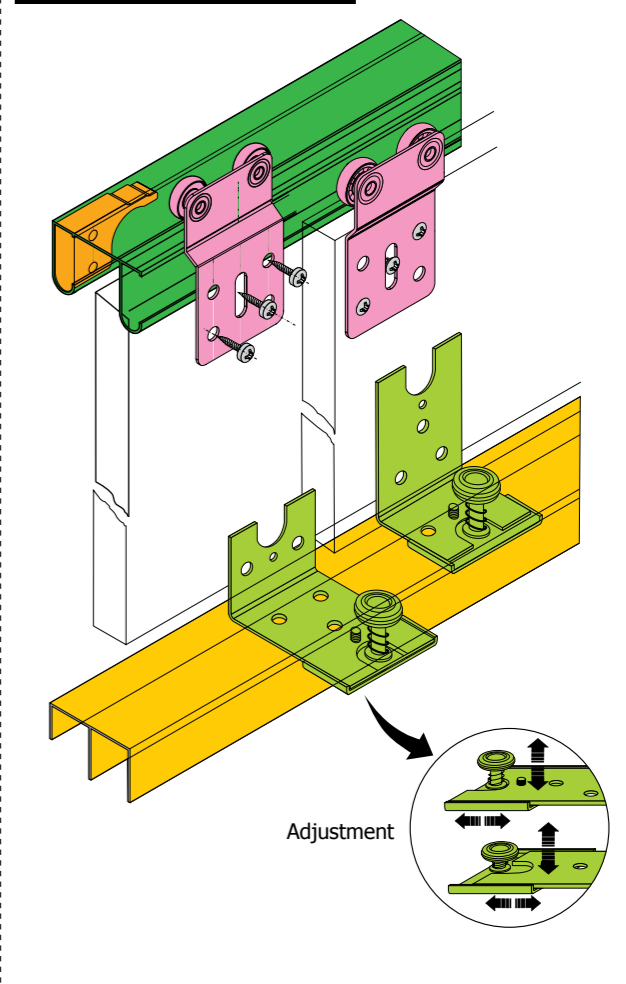
FREE STANDING FURNITURE

UNIFUTURE - 50Kg



Lower guide fixing options

FUTURE - 50Kg



Adjustment

Kit contents for 2 x doors

LA002224 2 Doors	<p>Screw kit (x1)</p>	<p>LA001150 Plastic guide (White)</p>
LA002223 3 Doors		
<p>LA002214 (Front) & LA002215 (Rear) Adjustable travel hardware, 2 bearings Ø22mm (50Kgs)</p>	<p>LA002230 End catch</p>	<p>LA000106 Aluminium lower guide rail</p>

Kit contents for 2 x doors

LA003330 2 Doors	<p>Screw kit (x1)</p>	<p>LA003302 Lower travel hardware</p>
LA003331 3 Doors		
<p>LA002214 (Front) & LA002215 (Rear) Adjustable travel hardware, 2 bearings Ø22mm (50Kgs)</p>	<p>LA002230 End catch</p>	<p>LA000502 Aluminium double upper guide rail</p>

Accessories

<p>LA000106 Aluminium lower guide rail</p>	<p>LA001151 Plastic guide (Brown)</p>	<p>LA000413 Guide latch</p>
---	--	--

Essentials

Track lengths available: 3/4m

<p>LA000A0F3 Aluminium double lower guide rail</p>	<p>LA000502 Aluminium double upper guide rail</p>
---	--

FAST Sliding door system

FREE STANDING FURNITURE

The Fast system is a single track bottom running sliding door system. The guides simply screw on to the back of the door. The single track allows you to use up to 42mm thick doors because you simply space the track out accordingly.

Applications

- Kitchen cabinets.
- Wardrobe doors.

Features

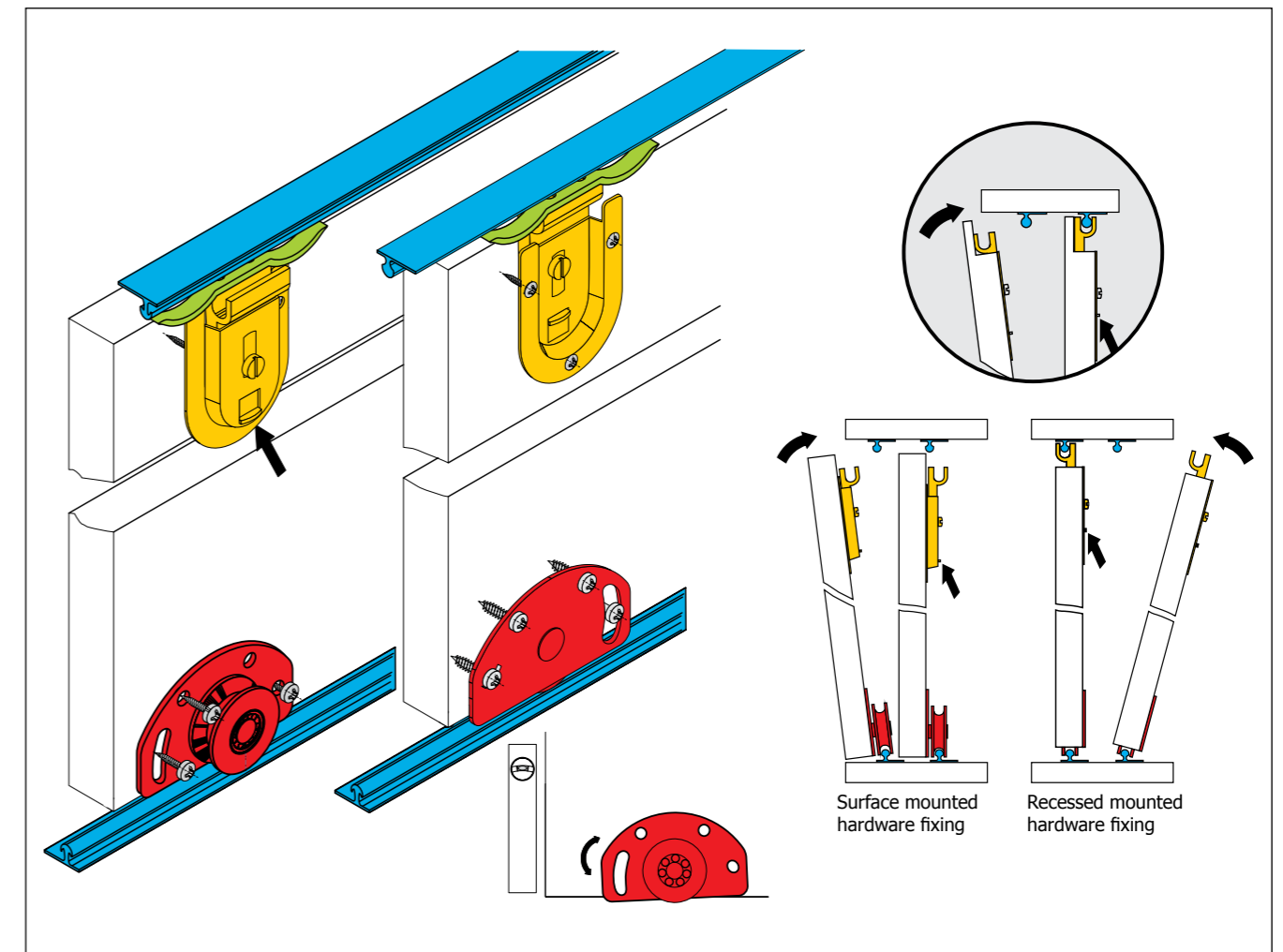
- Bottom running system.
- Easily installed and durable.
- Quiet sliding action.
- Max. Load per leaf - 50kg.
- Ball bearing rollers.
- Surface mounted hardware.
- Economical.



FAST
Sliding door system

FAST System overview

FREE STANDING FURNITURE

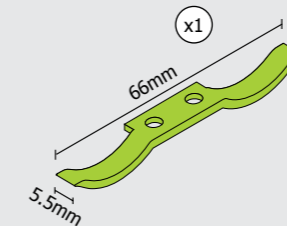


Kit contents for 1 x door

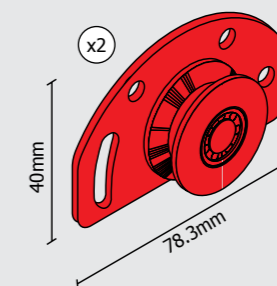
- LA004443** 1 Doors
- LA004444** 2 Doors
- LA004445** 3 Doors



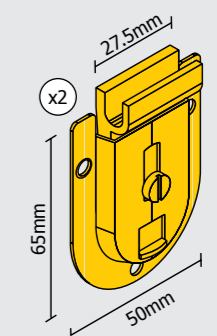
x1



x1



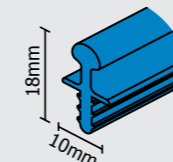
x2



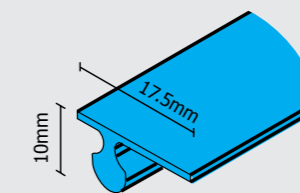
x2

Essentials

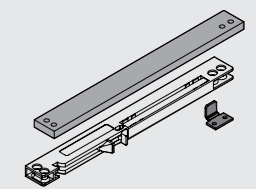
Track lengths available:
2/3/4m



OR



Optional



FASTOR Sliding door system

FREE STANDING FURNITURE

The Fastor system is a single track bottom running sliding door system. All 4 guides have bearings to enable large doors of up to 60kg. The single track allows you to use up to 42mm thick doors because you simply space the track out accordingly.

Applications

- Wardrobe doors.

Features

- Bottom running system.
- Easily installed and durable.
- Quiet sliding action.
- Max. Load per leaf - 60kg.
- Ball bearing rollers.
- Surface mounted hardware.
- Adjustable and sprung travel hardware providing constant contact with track on uneven surfaces.



Ball Bearing



60Kg



18-42mm Board



Natural



Champagne



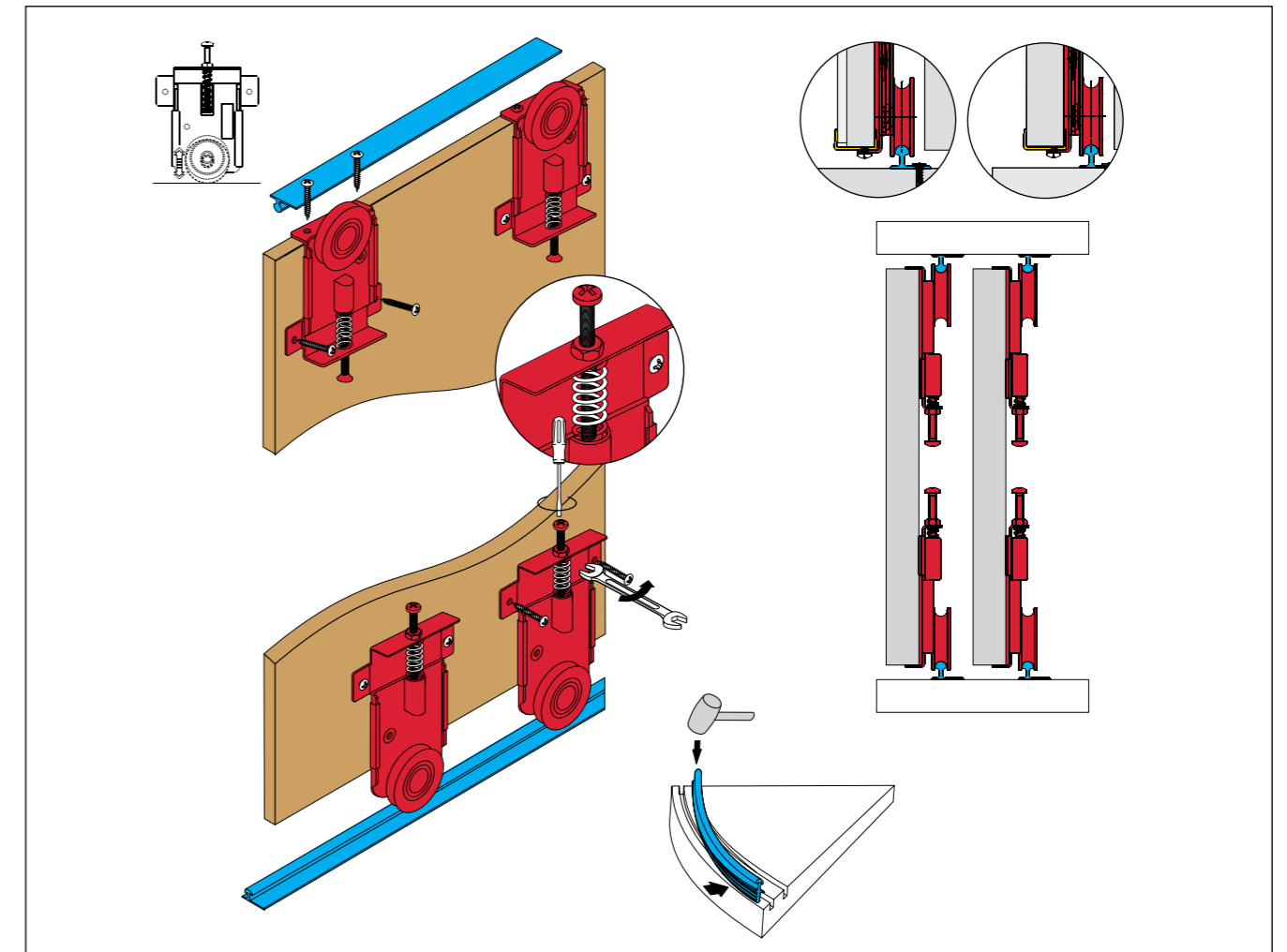
Light gold



FASTOR
Sliding door system

FASTOR System overview

FREE STANDING FURNITURE



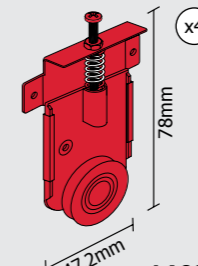
Kit contents for 1 x door

LA004446 1 Door



Screw kit

x1



x4

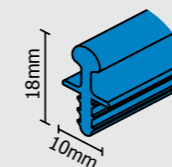
78mm

47.2mm

LA004416
Upper & lower travel hardware with bearing Ø34mm

Essentials

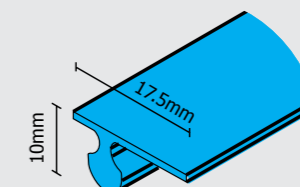
Track lengths available:
2/3/4m



LA001440 (Natural)

Aluminium upper / lower guide rail
Can be used for curved doors

OR



LA04440A (Natural)

LA04444A (Champagne)

LA04445A (Light gold)

Aluminium upper / lower guide rail

FAST R Sliding door system

FREE STANDING FURNITURE

The Fast R is the same as the Fast and Fastor, the only difference is that the track is a t-slot version and the wheels run inside.

Applications

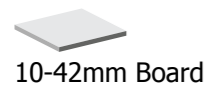
- Kitchen cabinets.
- Wardrobe doors.

Features

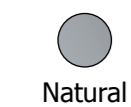
- Bottom running system.
- Easily installed and durable.
- Quiet sliding action.
- Max. Load per leaf - 50kg.
- Ball bearing rollers.
- Surface mounted hardware.
- Economical.
- Recessed t-slot track.



Ball Bearing 50Kg



10-42mm Board



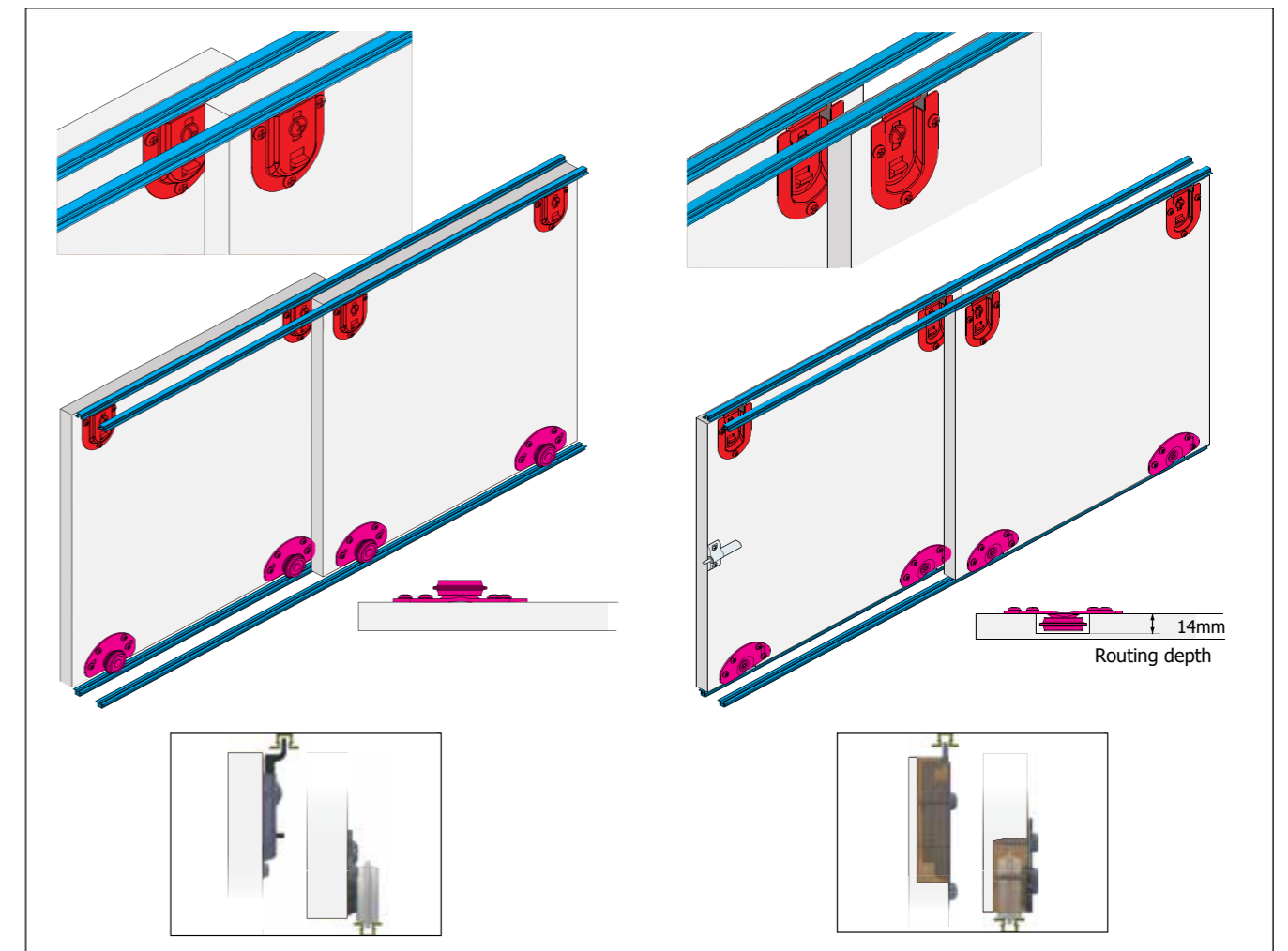
Natural



FAST R
Sliding door system

FAST R System overview

FREE STANDING FURNITURE



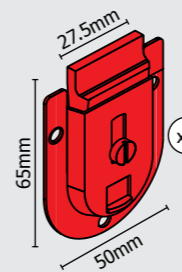
Kit contents for 1 x door

LA004449 1 Doors



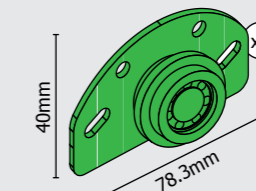
Screw kit

x1



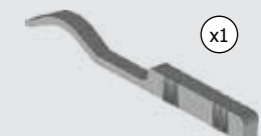
LA004417
Upper hardware

x2



LA008811
Lower hardware

x2

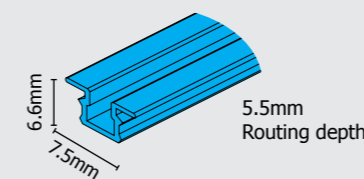


LA004418
Stop latch

x1

Essential

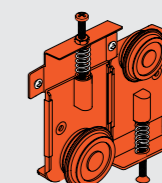
Track length available 3m



LA04530A

Aluminium upper / lower guide rail

Optional



LA004419

Fastor R upper / lower guide rail for t-slot track

BIFOLD Folding door system

FREE STANDING FURNITURE

The Bifold system is a folding system for low weight doors. A maximum weight of 15kgs per door means that there is a limitation on the door size.

Applications

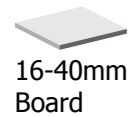
- Kitchen cabinet doors.
- Serving hatches.
- Left-hand or right-hand lightweight internal doors.

Features

- Max. Load per 2 leaves - 15kg.
- Easily installed and durable.
- Quiet sliding action.
- No sill.
- Can be fitted to existing door openings.
- Adjustable tensioning catch-bolt hinge.



15Kg



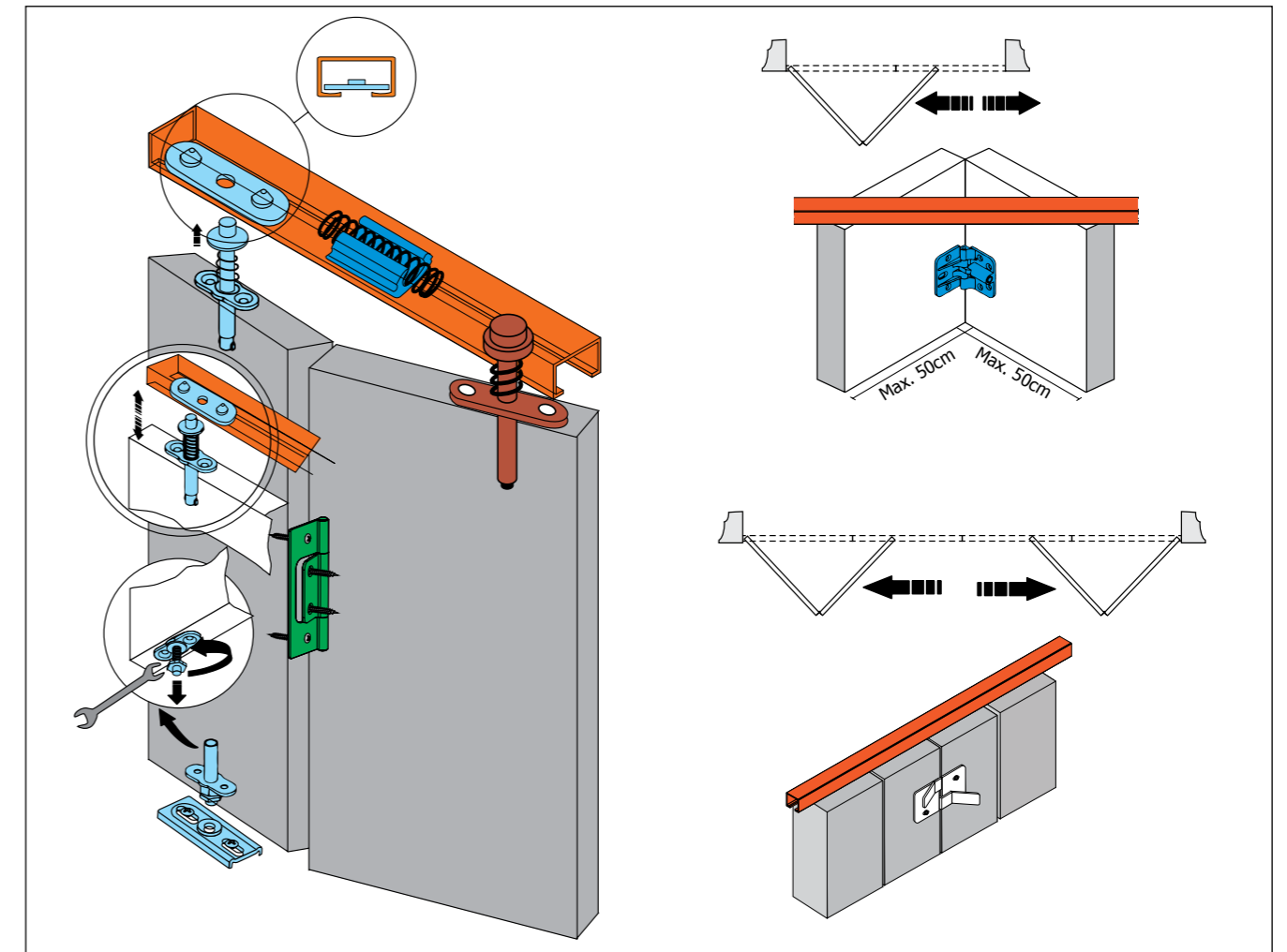
16-40mm Board



BIFOLD Sliding door system

BIFOLD System overview

FREE STANDING FURNITURE

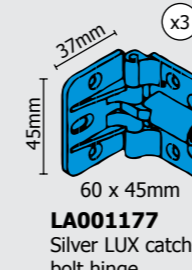


Kit contents for 1 x door

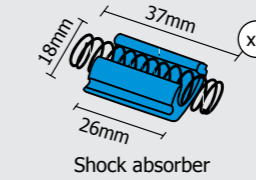
LA009994 1 Door



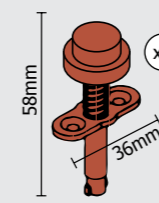
Screw kit
x1



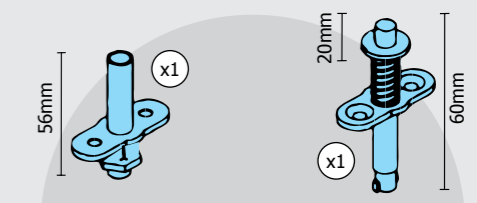
37mm
45mm
60 x 45mm
LA001177
Silver LUX catch-bolt hinge



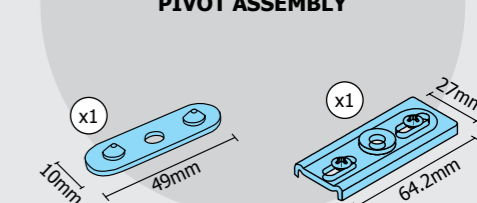
18mm 37mm 26mm
Shock absorber
x1



58mm 36mm
Upper guide
x1

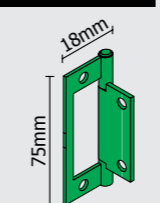


PIVOT ASSEMBLY

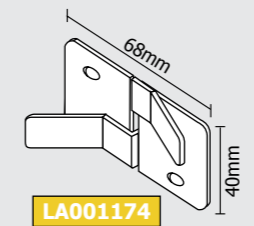


56mm 20mm 60mm
10mm 49mm 27mm 64.2mm
x1 x1

Accessories



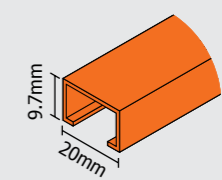
18mm 75mm
Flush hinge
LA001143 (Brass)



68mm 40mm
Guide interlock
LA001174

Essentials

Track lengths available: 3/4m



9.7mm 20mm
Upper guide rail
LA00K159

STANDARD Sliding door system

INTERNAL SLIDING DOORS

The standard sliding door system is a system that is most commonly used for internal doors. A top hung single track system that can be used for big heavy doors due to the high weight capacity.

Applications

- Internal doors.
- Partitioning.
- Cavity concealed.
- Glazed or solid panels.

Features

- Top hung system.
- Easily installed and durable.
- Quiet sliding action.
- Max. Load per leaf - 100kg.
- Ball bearings with silencing tyres.



Ball Bearing



100Kg



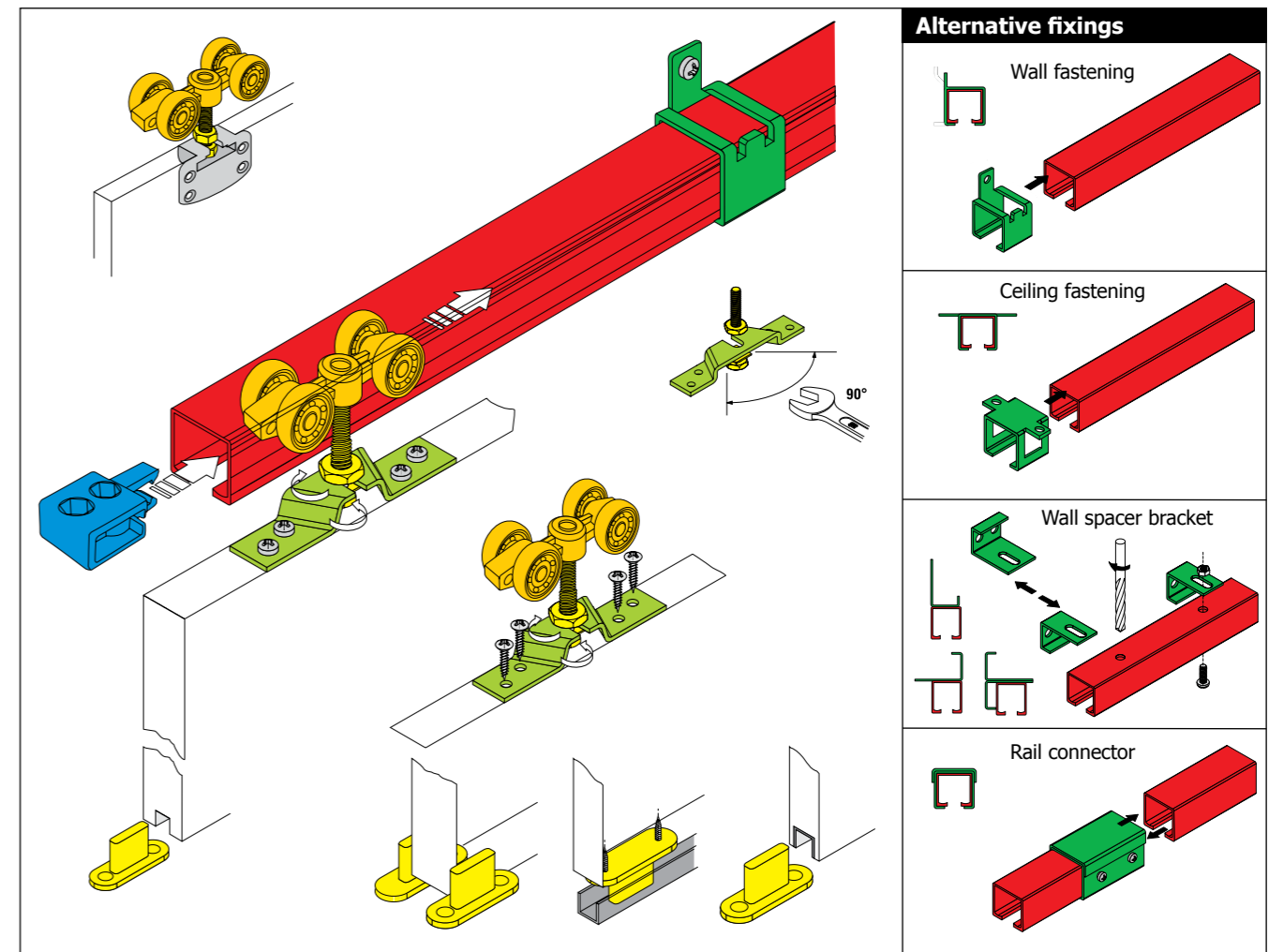
18-40mm Board



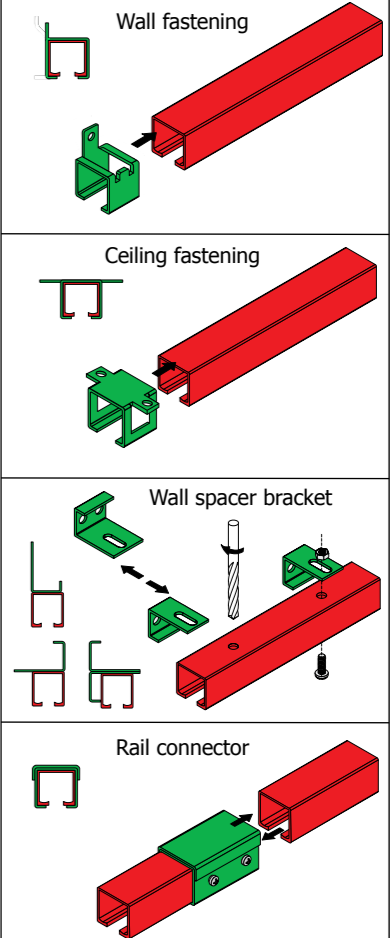
STANDARD
Sliding door system

STANDARD System overview

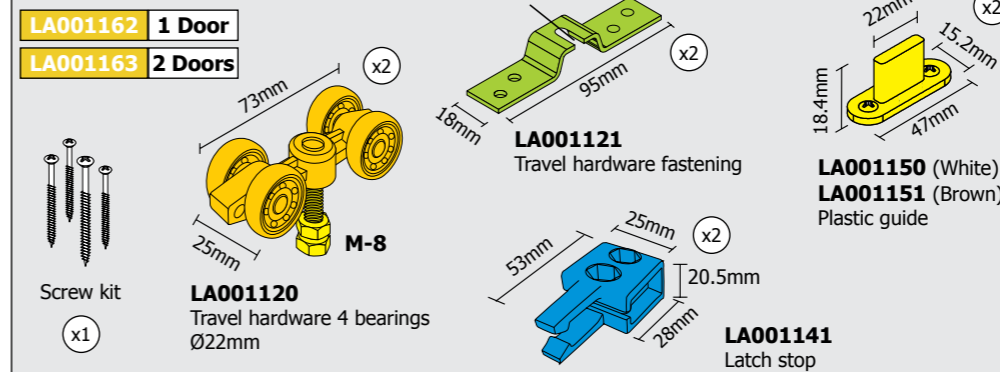
INTERNAL SLIDING DOORS



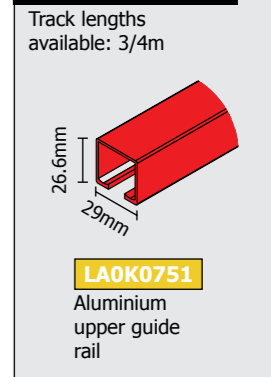
Alternative fixings



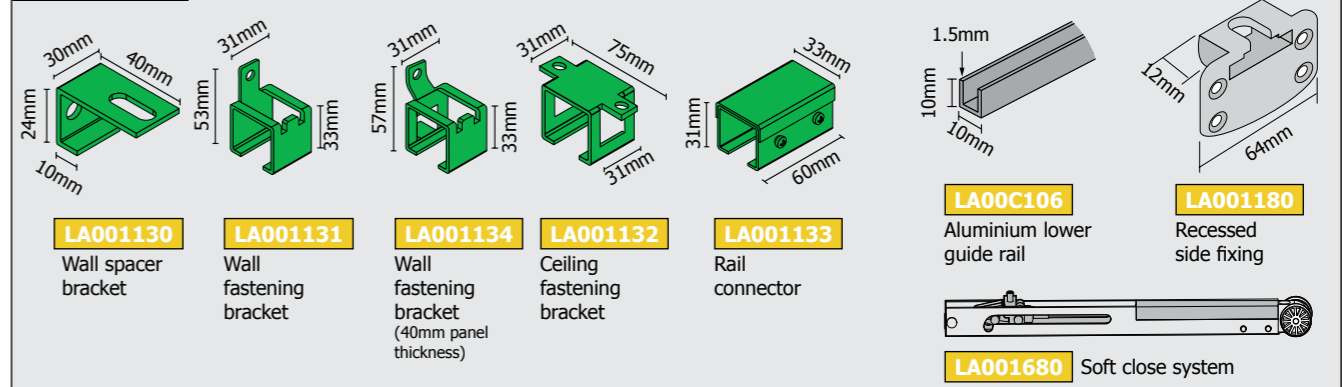
Kit contents for 1 x door



Essentials



Accessories



PORTA GLASS LUX Sliding door system

INTERNAL SLIDING DOORS

The Porta Glass Lux sliding door system is a glass sliding door system that is most commonly used for internal doors. A top hung single track system that can be used for large glass doors due to the high weight capacity of the system.

Applications

- Glazed partitions.
- Internal doors.
- Cavity concealed.

Features

- Top hung system.
- Easily installed and durable.
- Quiet sliding action.
- Max. Load per leaf - 80kg.
- Ball bearings with silencing tyres.
- Aluminium glass clamp (no holes in glass required).



Plain Bearing



80Kg



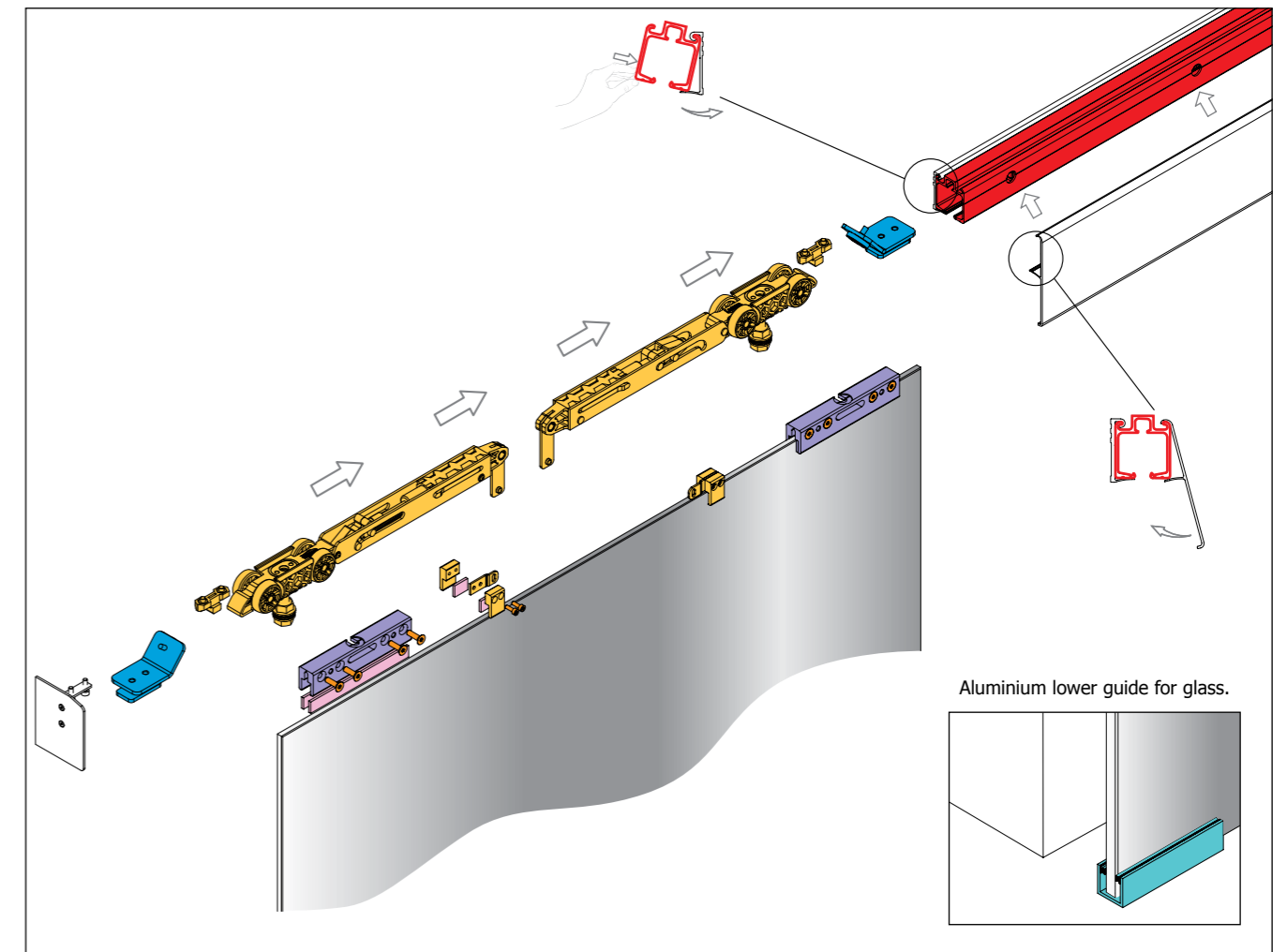
8/10/12mm
Mirror or glass



PORTA GLASS LUX
Sliding door system

PORTA GLASS LUX System overview

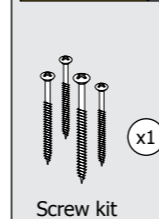
INTERNAL SLIDING DOORS



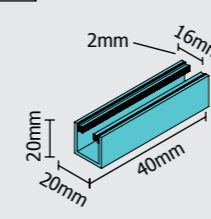
Aluminium lower guide for glass.

Kit contents for 1 x door

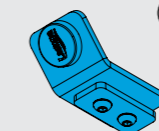
- LA112246A 8mm
- LA112246B 10mm
- LA112246C 12mm



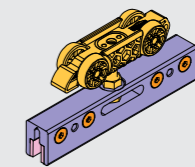
Screw kit (x1)



LA001101
Aluminium lower guide, for glass thickness 8/10/12mm (x1)



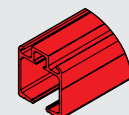
LA001141
LATCH STOP (x2)



LA011750 (8mm)
LA011760 (10mm)
LA011770 (12mm)
Travel hardware with glass grip (x2)

Essentials

Track lengths available: 3/4m



LA13200
Aluminium upper guide rail

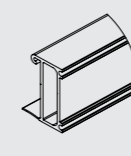
Accessories



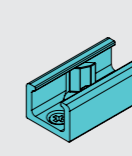
LA13600
Wall Fixing Profile (MONTAGE)



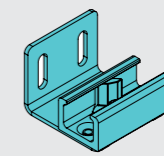
LA11213
Cover Profile



LA13310
Wall distance Profile

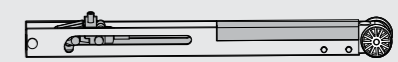
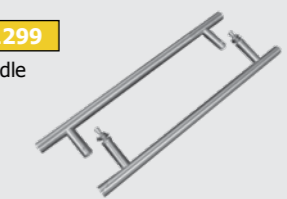


LA112244
Glass Guide 1



LA112243
Glass Guide 2

LA91299
Handle



LA001680
Soft close system

STANFOLD Folding door system

INTERNAL FOLDING DOORS

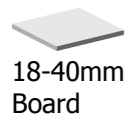
The Stanfold system is a folding system for full height doors. A maximum weight of 40kgs per door means that the system can be used for internal doors, room divider and also walk in wardrobes.

Applications

- Left-hand or right-hand internal doors.
- Partitioning.
- Walk-in wardrobes.

Features

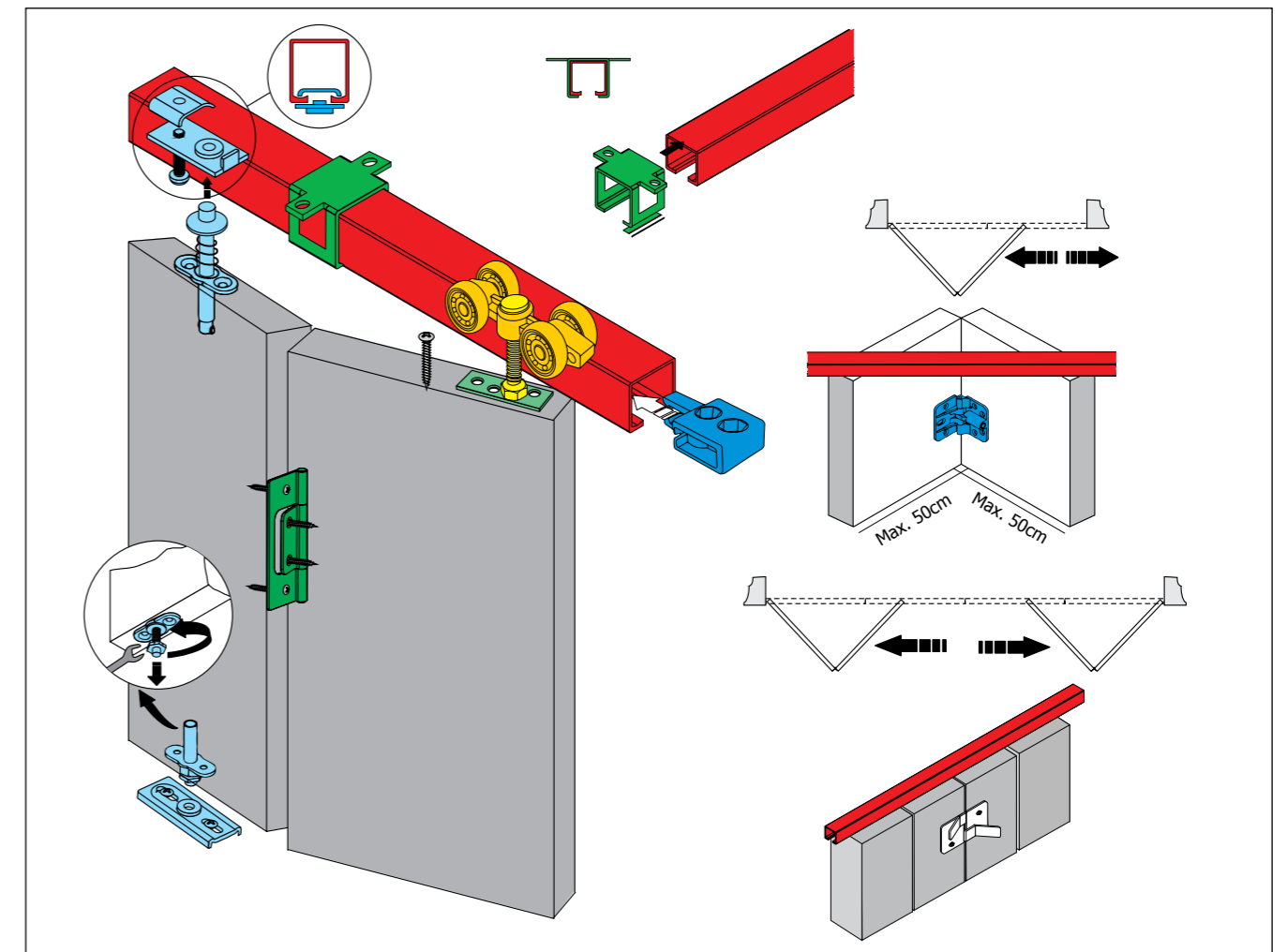
- Max. Load per 2 leaves - 40kg.
- Ball bearings with silencing tyres.
- Fastening components made of galvanized steel.
- Easily installed and durable.
- No sill.
- Smooth sliding action.
- Can be fitted to existing door frames.
- Adjustable tensioning catch-bolt hinge.



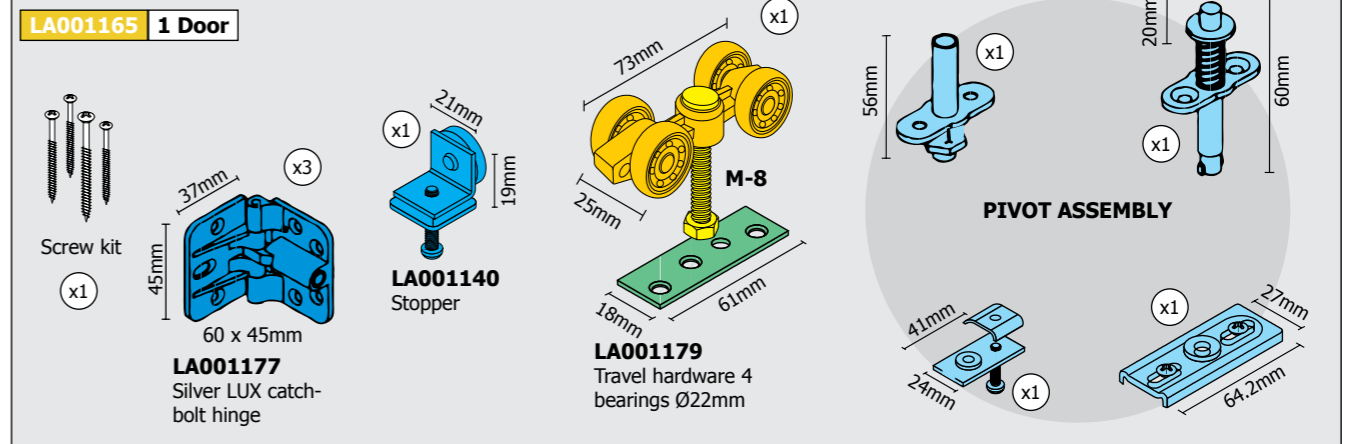
STANFOLD Sliding door system

STANFOLD System overview

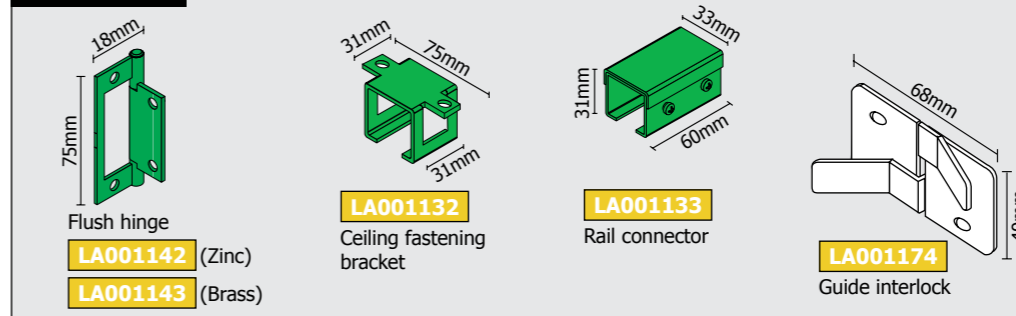
INTERNAL FOLDING DOORS



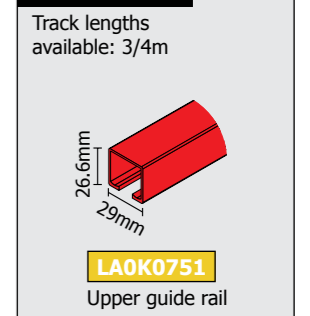
Kit contents for 1 x door



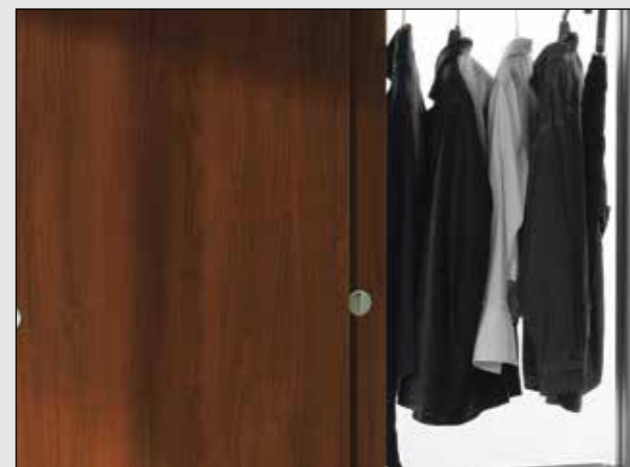
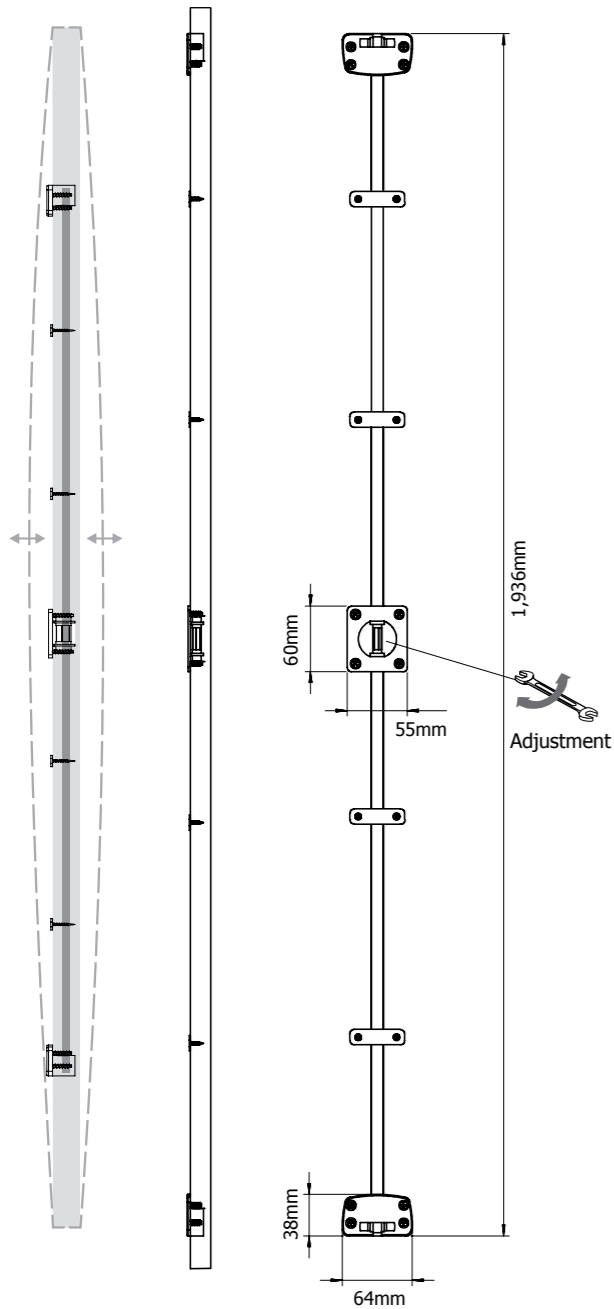
Accessories



Essentials



Panel Straightening System



Applications

- Application for boards 16mm thick or more.

Features

- Max. Height 2700mm.
- To be mounted where correction of doors is needed.
- Best results obtained when two sets are used in one door.
- Board adjustment is made by turning the main lever.

NATURAL WOOD sliding door systems



Sophisticated mechanical and aesthetic solutions.



The shaker style system has four frame finishes, three of which have an Egger board match, the fourth being a designer led Siberian Oak allowing you to be more creative and unique with the finish of the furniture.

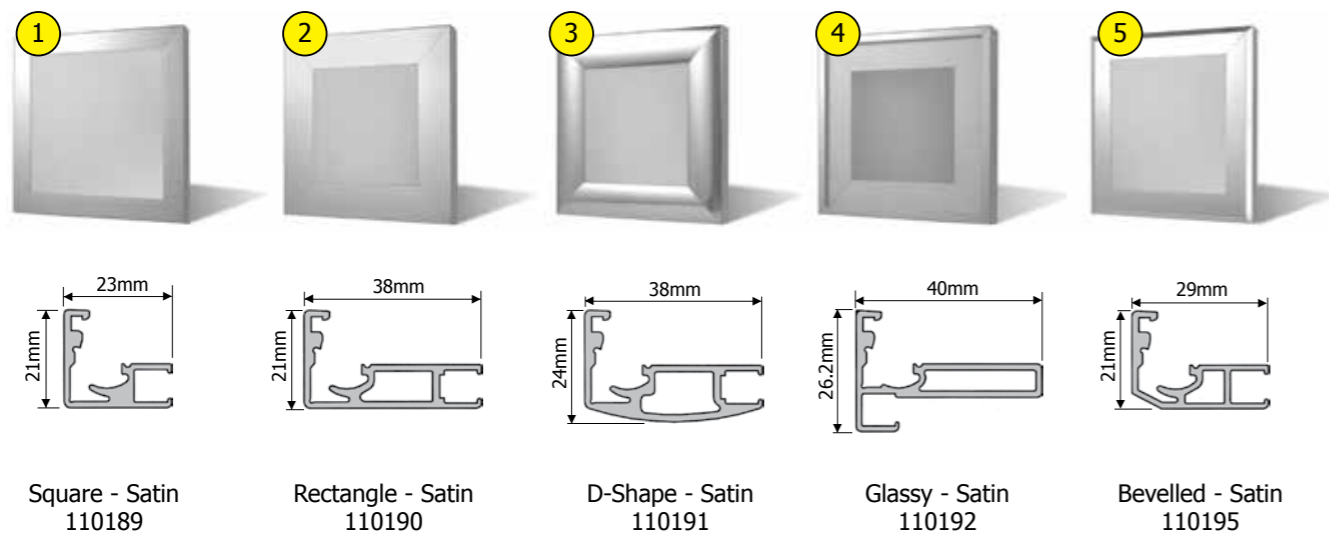
The benefits this has over an aluminium framed system is that the feel and finish of the wood material is warmer and more inviting and has a much larger profile which creates a more luxurious piece of furniture.

See page 232 for more information...

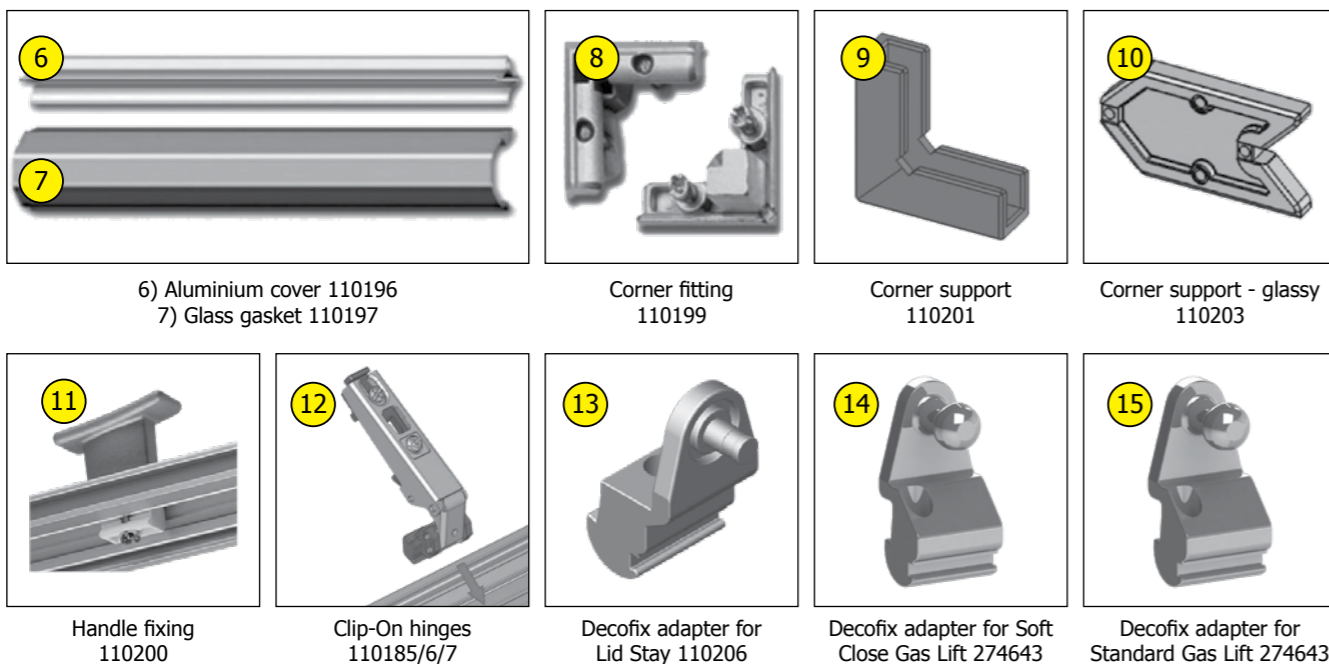
DECOFIX Aluminium framed door systems



Different profiles available

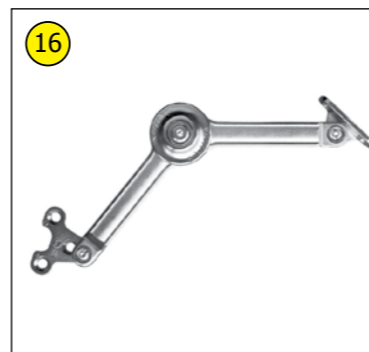


Fittings and fixings



DECOFIX Aluminium framed door systems

Fittings and fixings cont...



Lid Stay (see page 127)



Soft Close Gas Lift (see page 126)

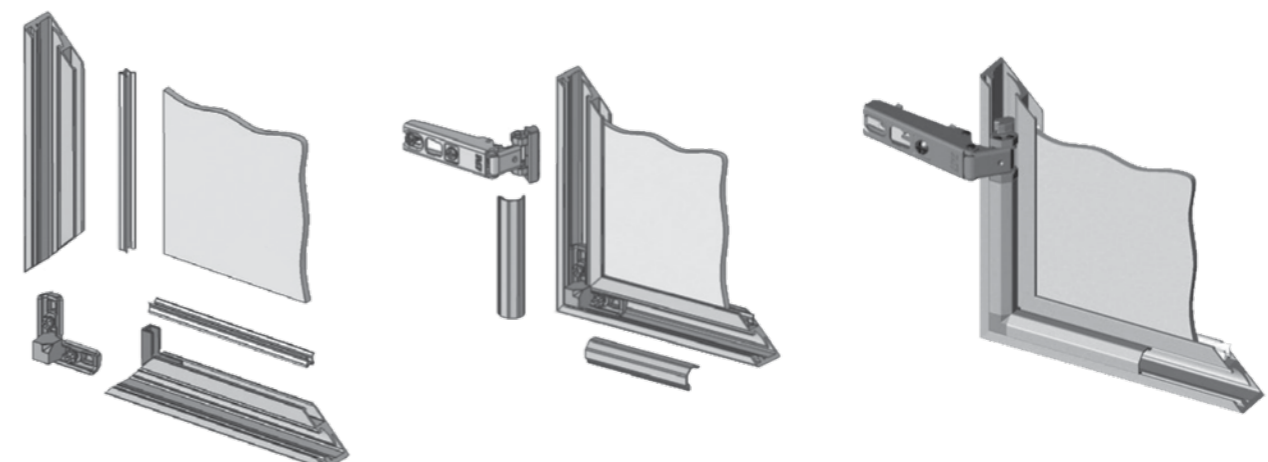


Standard Gas Lift (see page 126)

Decofix parts list

Product	Description	Item Number	Qty
1	Square Satin (21 x 23) 2.8m	110189	67m/box
2	Rectangular Satin (21 x 38) 2.8m	110190	67m/box
3	D-Shape Satin (24 x 38) 2.8m	110191	67m/box
4	Glassy Satin (26.2 x 40) 2.8m	110192	67m/box
5	Bevelled Satin (21 x 9) 2.8m	110195	67m/box
6	Decorative aluminium cover: 2.8m length - satin	110196	67m/box
7	Glass gasket: 2.5m length	110197	60m/box
8	Corner fittings	110199	100/Box
9	Corner support	110201	100/Box
10	Corner support - glassy	110203	100/Box
11	Handle fixing washer and screw	110200	100/Box
12	Clip-on hinge 110° Crank 0 - On Lay	110185	250/box
	Clip-on hinge 110° Crank 9mm - Half On Lay	110186	250/box
	Clip-on hinge 110° Crank 18mm - Inset	110187	250/box
13	Adapter for LID STAY	110206	100/box
14	Adapter for Soft Close Gas Lift	274643	100/box
15	Adapter for Standard Gas Lift	274643	100/box
16	Lid Stay	See pg: 127	25/box
17	Soft Close Gas Lift	See pg: 126	1/set
18	Standard Gas Lift	See pg: 126	25/box

Decofix assembly



BEDROOM STORAGE



BEDROOM STORAGE

TABLE OF CONTENTS



Contents:

Elite - Wireworks (bespoke)	274
ElitePlus - Wireworks (standard)	284
Eco - Wireworks (bespoke)	288
EcoPlus - Wireworks (standard)	298
AMS modular storage system	304

Elite

elite

Bedroom Storage

Our Elite bedroom storage section provides a high quality solution for bespoke size cabinets on the basket pull outs and also the side mounted products. The standard of manufacturing is at a higher specification than our Eco range and additionally high quality under-mount soft close runners are used for optimum quality.



Basket Frame Pull-Outs

elite



Multi-Slide Pull-Out Basket Frames

Find the complete range of accessories, to fit the frames below, on pages 276 and 277.



Cabinet Widths	Depth	Height	Item No.	UOM
410mm-550mm	526mm	68mm	262448	1
550mm-690mm	526mm	68mm	262449	1
690mm-830mm	526mm	68mm	262450	1
830mm-970mm	526mm	68mm	262451	1
970mm-1100mm	526mm	68mm	262452	1

Key Features:

- Soft closing
- Full extension
- Adjustable + 140mm
- Side mounted
- Chrome wirework
- White framework

Basket Accessories



Basket Frame and Accessories

The flexibility of our accessories and adjustable frames allows you to tailor the basket internals to suit almost any requirement, all you do is pick your frame width and then choose an accessory or accessories ensuring that the sum of the internals is equal to or less than the compartment dimension size.

How to choose your frame size and accessories.

- Example:**
- 1) First step is to measure the internal cabinet width (ICW).
 - 2) Once you have your ICW you can identify your frame size (see Pull-Out frame table).
 - 3) The next step is to figure out your working compartment dimension size (WCD) = ICW - 80mm.
 - 4) When you have calculated this size you can select the accessories to suit.

1 - Basket Tray Low



The low basket tray is 86mm high steel plate, with a beech base.

Key Features:

- White finish
- 300mm wide

Width	Depth	Height	Item No.	UOM
300mm	505mm	86mm	262648	1

2 - Basket Tray High



The high basket tray is 148mm high steel plate, with a beech base.

Key Features:

- White finish
- 300mm wide

Width	Depth	Height	Item No.	UOM
300mm	505mm	148mm	262647	1

3 - Tie & Belt Organiser



Natural beech, tie and belt organiser.

This can only be used with accessory 1 and 2 steel coated basket trays.

- 300mm wide

Width	Depth	Height	Item No.	UOM
300mm	476mm	60mm	262494	1

4 - Basket Mat



A quilted mat used to cover the base of a wire basket. Cream only. See table for size variations. To be used with wire Pull-Out baskets - accessories 5 and

Width	Depth	Height	Item No.	UOM
300mm	465mm	5mm	262496	1
380mm	465mm	5mm	262497	1
460mm	465mm	5mm	262498	1
700mm	465mm	5mm	262499	1

Basket Accessories



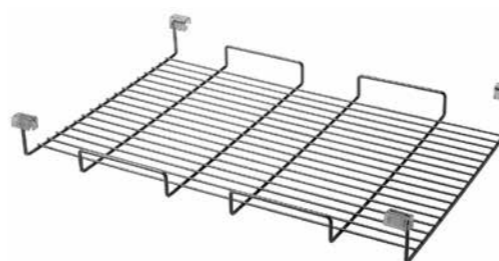
5 - Wire Basket



Pull-Out wire basket at 150mm high with clips for mounting to Pull-Out frame. See table for size variations.

Width	Depth	Height	Item No.	UOM
305mm	510mm	151mm	262500	1
410mm	510mm	151mm	262501	1
490mm	510mm	151mm	262502	1
730mm	510mm	151mm	262503	1

6 - Wire Tray



Pull-Out wire tray at 87mm high with clips for mounting to Pull-Out frame. See table for size variations.

Width	Depth	Height	Item No.	UOM
305mm	510mm	87mm	262504	1
410mm	510mm	87mm	262505	1
490mm	510mm	87mm	262506	1
730mm	510mm	87mm	262507	1

7 - Pull-Out Shoe Rack



Frame mounted Pull-Out shoe rack at 200mm high. See table for size variations.

Width	Depth	Height	Item No.	UOM
390mm	510mm	200mm	262514	1
470mm	510mm	200mm	262515	1

8 - Trouser Holder



Frame mounted Pull-Out trouser holder. See table for size variations

Width	Depth	Height	Item No.	UOM
455mm	510mm	103mm	262516	1
719mm	510mm	103mm	262517	1

Basket Accessories



9 - Translucent Tray

Frame mounted translucent tray. See table for size variations.



Width	Depth	Height	Item No.	UOM
240mm	508mm	85mm	262478	1
320mm	508mm	85mm	262479	1
400mm	508mm	85mm	262480	1
480mm	508mm	85mm	262481	1

10 - Multi-Purpose Translucent Tray

Frame mounted adjustable multi-purpose translucent tray (small).



Width	Depth	Height	Item No.	UOM
98mm	440mm-520mm	43mm	262513	1

11 - Laundry Basket

Framed mounted laundry basket with removable bag, has a chrome wire frame.



Width	Depth	Height	Item No.	UOM
460mm	505mm	430mm	262495	1

Basket Accessories



12 - Pivoting Hinge

A pivoting hinge to be used with elite side mounted pull-outs. (White finish)



Width	Depth	Height	Item No.	UOM
31mm	153mm	84mm	262463	1

13 - Spacer

ABS spacer to be used with Elite pivoting hinge to enable pull-outs to Pivot away from the cabinet. (White finish)



Width	Depth	Height	Item No.	UOM
32mm	142mm	84mm	262465	1

14 - Spacer

ABS Spacer to be used with Elite Basket pull-outs. (White finish)



Width	Depth	Height	Item No.	UOM
13mm	120mm	84mm	262464	1

15 - Under Shelf Mounting Bracket

Under shelf mounting bracket and fittings for Elite range. (White finish)



Width	Depth	Height	Item No.	UOM
52mm	335mm	78mm	262466	1

Wardrobe Pull-Outs

3 Tier Basket



3 Tier basket Pull-Out unit, check table for specification on sizes

Key Features:

- Soft closing
- Ball bearing slides
- Full extension
- Side mounted
- Chrome wirework
- White frame

Width	Depth	Height	Hand	Item No.	UOM
291mm	521mm	772mm	Left	262453	1
291mm	521mm	772mm	Right	262454	1

3 Tier Shoe Rack

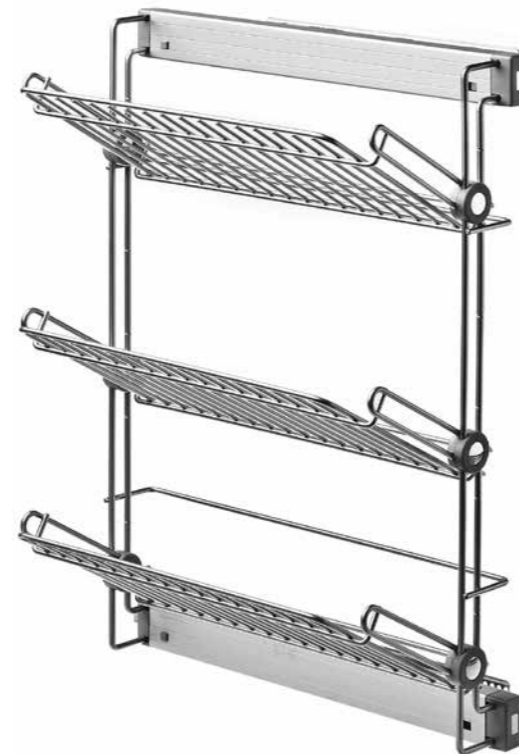
Wire basket solutions for internal drawer Pull-Outs.
Brackets and fittings included

Key Features:

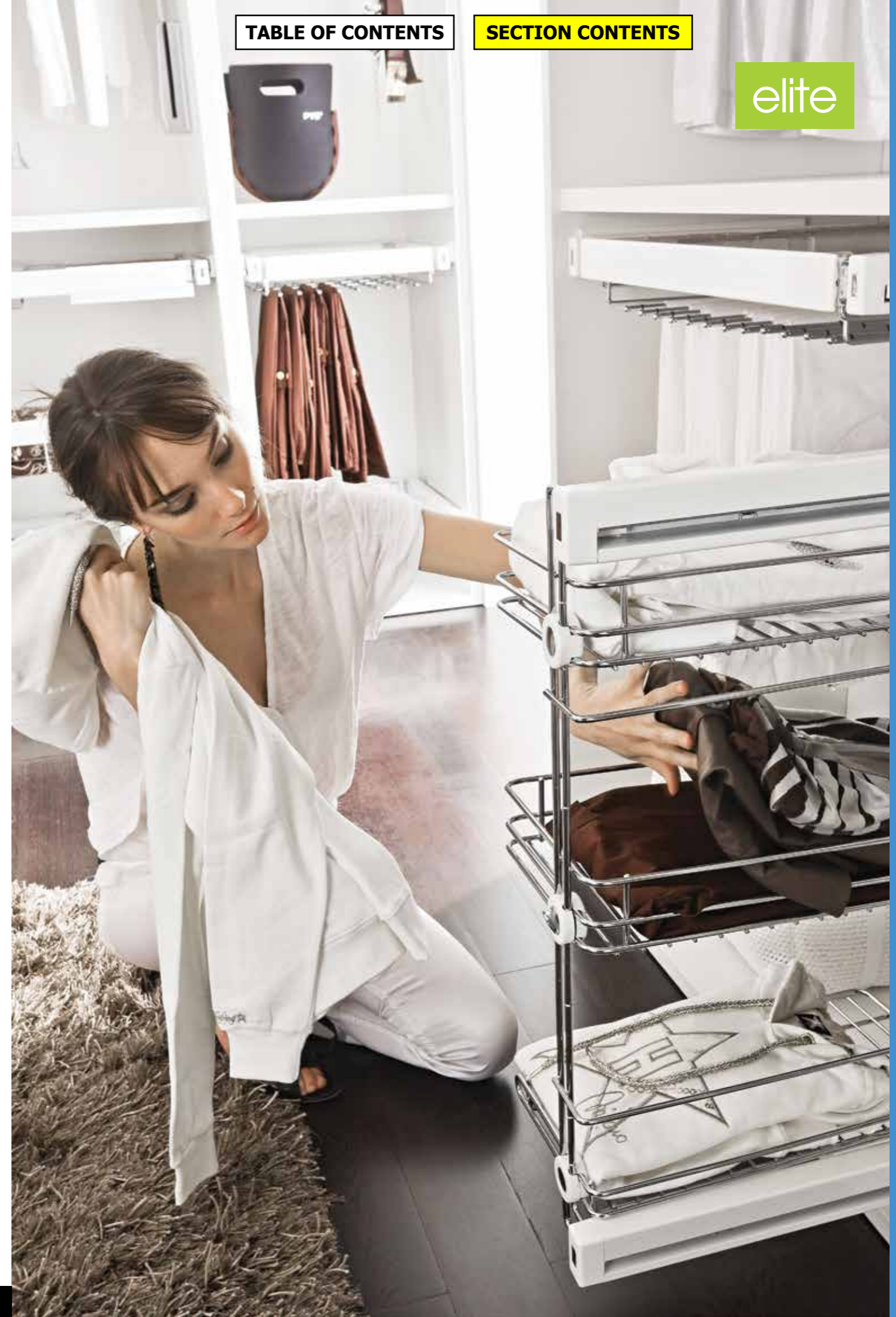
- Soft closing
- Ball bearing slides
- Full extension
- Side mounted
- Chrome wirework
- White frame



Translucent tray



Width	Depth	Height	Hand	Item No.	UOM
291mm	521mm	772mm	Left	262455	1
291mm	521mm	772mm	Right	262456	1
267mm	509mm	220mm	Tray	262457	1



Wardrobe Pull-Outs

Side Mounted Pull-Out Trouser Holder



Pull-Out trouser holder to be mounted to cabinet side.

Key Features:

- Soft Closing
- Ball Bearing Slide
- Full extension
- Side mounted
- 536mm depth
- Chrome wirework
- White frame
- Reversible R=L

Width	Depth	Height	Item No.	UOM
251mm	526mm	262mm	262458	1

Under Mount Pull-Out Clothes Hanger



Top hung pull-out clothes hanger.

Key Features:

- Ball bearing slides
- Single extension
- Under -mounted
- 526mm depth
- Chrome wirework
- White frame

Width	Depth	Height	Item No.	UOM
84mm	526mm	163mm	262459	1

Pull-Out Tie & Belt Rack



Pull-out tie and belt rack to be mounted to cabinet side.

Key Features:

- Ball bearing slide
- Single extension
- Side mounted
- 526mm depth
- Chrome wirework
- White frame
- Reversible R=L

Width	Depth	Height	Item No.	UOM
163mm	526mm	84mm	262460	1

Wardrobe Pull-Outs

Pull-Out Pivoting Suit Rack



Pull-out pivoting suit rack, mounted to cabinet side, complete with multi-purpose tray.

Key Features:

- Side mounted
- Spacers and side mounted hinges included
- Multi-purpose tray included
- 538mm depth
- Chrome wirework
- White framework
- Right hand only

Width	Depth	Height	Item No.	UOM
215mm	536mm	373mm	262461	1

Pull-Out Pivoting Mirror



Pull-out pivoting mirror side mounted.

Key Features:

- Pull-out and pivoting action
- Side mounted with all fittings
- Chrome wirework
- White frame

Width	Depth	Height	Item No.	UOM
242mm	536mm	949mm	262462	1

ElitePlus



Bedroom Storage

Our ElitePlus bedroom storage section provides a high quality solution for standard size cabinets on the basket pull outs and also the side mounted products. The level of manufacturing is to a higher specification than our Eco range and additionally high quality under-mount soft close runners are used for optimum quality.



Wardrobe Pull-Outs



Aluminium Drawer Pull-Out - Soft Close

Key Features:

- White or anthracite frame
- Soft close concealed slide
- Aluminium drawer
- Full range of widths



Width	Depth	Height	White	Anthracite	UOM
600mm	460mm	170mm	280285	287000	1
700mm	460mm	170mm	280286	287001	1
800mm	460mm	170mm	280287	287002	1
900mm	460mm	170mm	280288	287003	1

Trouser Rack Pull-Out - Soft Close

Key Features:

- White or anthracite frame
- Soft close concealed slide
- Trouser holder
- Full range of widths



Width	Depth	Height	White	Anthracite	UOM
600mm	460mm	150mm	280281	287004	1
700mm	460mm	150mm	280282	287005	1
800mm	460mm	150mm	280283	287006	1
900mm	460mm	150mm	280284	287007	1

Accessory Box Pull-Out - Soft Close

Key Features:

- White or anthracite frame
- Soft close concealed slide
- Accessory organisation
- Full range of widths



Width	Depth	Height	White	Anthracite	UOM
600mm	460mm	80mm	280289	287008	1
700mm	460mm	80mm	280290	287009	1
800mm	460mm	80mm	280291	287010	1
900mm	460mm	80mm	280292	287011	1

Wardrobe Pull-Outs

Shoe Holder Pull-Out - Soft Close

Key Features:

- White or anthracite frame
- Soft close concealed slide
- Shoe rack
- Full range of widths



Width	Depth	Height	White	Anthracite	UOM
600mm	460mm	150mm	280295	287012	1
700mm	460mm	150mm	280296	287013	1
800mm	460mm	150mm	280297	287014	1
900mm	460mm	150mm	280298	287015	1

Pull-Out Hanging Rail

Key Features:

- White or anthracite frame
- Silver wirework
- Ball bearing slide
- Top hung



Width	Depth	Height	White	Anthracite	UOM
120mm	460mm	135mm	280299	287016	1

Side Mounted Tie Rack Pull-Out - Soft Close

Key Features:

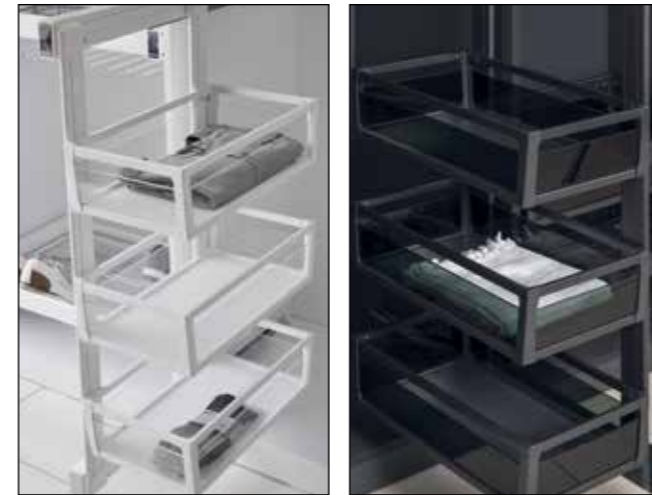
- White or anthracite frame
- Silver wirework
- Soft close concealed slide
- Side mounted
- Tie organisation



Width	Depth	Height	Hand	White	Anthracite	UOM
140mm	460mm	70mm	Left	280300	287017	1
140mm	460mm	70mm	Right	280301	287018	1

Wardrobe Pull-Outs

3 Tier Basket Pull-Out - Soft Close



Key Features:

- White or anthracite frame
- Soft close concealed slide
- General basket organisation
- 3 baskets

Width	Depth	Height	Hand	White	Anthracite	UOM
325mm	460mm	960mm	Left	280293	287019	1
325mm	460mm	960mm	Right	280294	287020	1

Turning Mirror Mechanism



Key Features:

- Pivoting mirror mechanism
- Grey or anthracite frame
- Side mounted
- Soft close

Width	Depth	Height	Grey	Anthracite	UOM
120mm	340mm	1300mm	277293	287021	1

Wardrobe Lift - Soft Close



Key Features:

- White or anthracite frame
- Chrome bar
- Soft close
- 15kg load capacity

Width	Depth	Height	Capacity	White	Anthracite	UOM
850mm - 1150mm	150mm	900mm	15kg	277227	287022	1

Pull-Out Shoe Rack Larder Unit - Soft Close - 12 Trays, Black Frame



Key Features:

- Full height larder style shoe rack
- Pivoting mechanism (spins round)
- Soft close, 12 large trays for shoes
- Black frame

Width	Depth	Height	Item No.	UOM
365mm	700mm	1910mm - 2110mm	279316	1

Eco

Bedroom Storage

Our Eco Bedroom Storage section provides a solution for bespoke size cabinets for our basket pull-outs if cost is a concern. The runners used on this range are standard ball bearing slides.



Basket Frame Pull-Outs



Pull-Out Frame

Find the complete range of accessories, to fit the frames below, on pages 290 and 291.



Key Features:

- Soft closing
- Full extension
- Adjustable + 140mm
- Side mounted
- Chrome wirework
- Grey epoxy framework

Width	WCD	Depth	Height	Item No.	UOM
410mm-550mm	330mm-470mm	500mm	84mm	262468	1
550mm-690mm	470mm-610mm	500mm	84mm	262469	1
690mm-830mm	610mm-750mm	500mm	84mm	262470	1
830mm-970mm	750mm-890mm	500mm	84mm	262471	1
970mm-1100mm	890mm-1020mm	500mm	84mm	262472	1

WCD = Working compartment dimension

Basket Accessories



Basket Frame and Accessories

The flexibility of our accessories and adjustable frames allows you to tailor the basket internals to suit almost any requirement, all you do is pick your frame width and then choose an accessory or accessories ensuring that the sum of the internals is equal to or less than the compartment dimension size.

How to choose your frame size and accessories.

Example:

- 1) First step is to measure the internal cabinet width (ICW).
- 2) Once you have your ICW you can identify your frame size (see Pull-Out frame table).
- 3) The next step is to figure out your working compartment dimension size (WCD) = ICW - 80mm.
- 4) When you have calculated this size you can select the accessories to suit.

1 - Basket Tray Low



The low basket tray is 86mm high steel plate, with a beech base.

- Grey epoxy finish
- 300mm wide

Width	Depth	Height	Item No.	UOM
300mm	505mm	86mm	262492	1

2 - Basket Tray High



The high basket tray is 148mm high steel plate, with a beech base.

- Grey epoxy finish
- 300mm wide

Width	Depth	Height	Item No.	UOM
300mm	505mm	148mm	262491	1

3 - Tie & Belt Organiser



Natural beech, tie and belt organiser.

This can only be used with accessory 1 and 2 steel coated basket trays.

- 300mm wide

Width	Depth	Height	Item No.	UOM
300mm	476mm	60mm	262494	1

4 - Basket Mat



A quilted mat used to cover the base of a wire basket. Cream only. See table for size variations. To be used with wire Pull-Out baskets - accessories 5 and 6.

Width	Depth	Height	Item No.	UOM
300mm	465mm	5mm	262496	1
380mm	465mm	5mm	262497	1
460mm	465mm	5mm	262498	1
700mm	465mm	5mm	262499	1

Basket Accessories



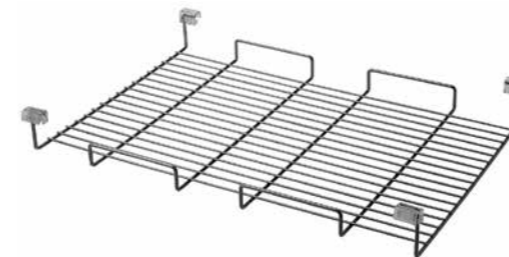
5 - Wire Basket



Pull-Out wire basket at 150mm high with clips for mounting to Pull-Out frame. See table for size variations.

Width	Depth	Height	Item No.	UOM
305mm	510mm	151mm	262500	1
410mm	510mm	151mm	262501	1
490mm	510mm	151mm	262502	1
730mm	510mm	151mm	262503	1

6 - Wire Tray



Pull-Out wire tray at 87mm high with clips for mounting to Pull-Out frame. See table for size variations.

Width	Depth	Height	Item No.	UOM
305mm	510mm	87mm	262504	1
410mm	510mm	87mm	262505	1
490mm	510mm	87mm	262506	1
730mm	510mm	87mm	262507	1

7 - Pull-Out Shoe Rack



Frame mounted Pull-Out shoe rack at 200mm high. See table for size variations.

Width	Depth	Height	Item No.	UOM
390mm	510mm	200mm	262514	1
470mm	510mm	200mm	262515	1

8 - Trouser Holder



Frame mounted Pull-Out trouser holder. See table for size variations.

Width	Depth	Height	Item No.	UOM
455mm	510mm	103mm	262516	1
719mm	510mm	103mm	262517	1

Basket Accessories



9 - Translucent Tray



Frame mounted translucent tray. See table for size variations.

Width	Depth	Height	Item No.	UOM
240mm	508mm	85mm	262478	1
320mm	508mm	85mm	262479	1
400mm	508mm	85mm	262480	1
480mm	508mm	85mm	262481	1

10 - Multi-Purpose Translucent Tray



Frame mounted adjustable multi-purpose translucent tray (small).

Width	Depth	Height	Item No.	UOM
98mm	440mm-520mm	43mm	262513	1

11 - Laundry Basket



Framed mounted laundry basket with removable bag, has a chrome wire frame.

Width	Depth	Height	Item No.	UOM
460mm	505mm	430mm	262495	1

Basket Accessories



12 - Pivoting Hinge



A pivoting hinge to be used with ECO side mounted pull-outs.

Width	Depth	Height	Item No.	UOM
31mm	247mm	84mm	262486	1

13 - Spacer



ABS spacer to be used with ECO pivoting hinge to enable pull-outs to pivot away from the cabinet.

Width	Depth	Height	Item No.	UOM
32mm	53mm	84mm	262488	1

14 - Spacer



ABS Spacer to be used with ECO Basket pull-outs.

Width	Depth	Height	Item No.	UOM
13mm	53mm	84mm	262489	1

15 - Under Shelf Mounting Bracket



Under shelf mounting bracket and fittings for ECO range.

Width	Depth	Height	Item No.	UOM
60mm	150mm	115mm	262490	1

Wardrobe Pull-Outs



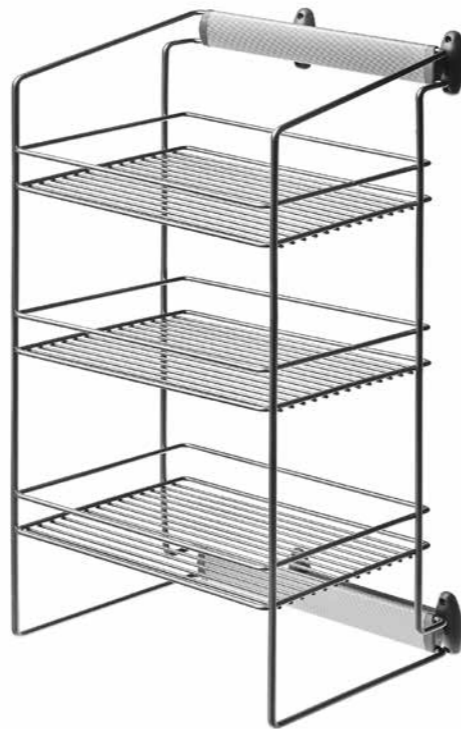
Multiple Tier Basket Pull-Outs

Knock down basket Pull-Out units. 2 and 3 tier units available.



Key Features:

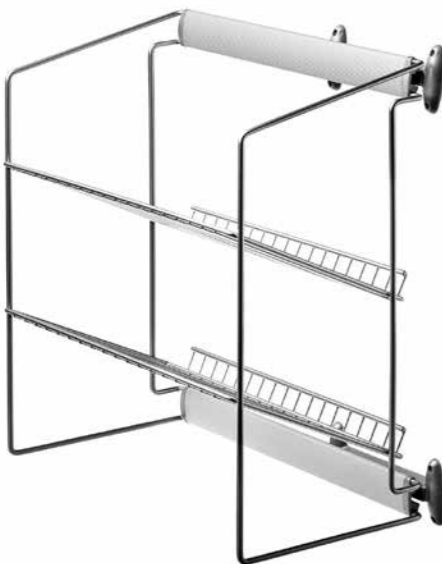
- Ball bearing slides
- Single extension
- Side mounted
- Chrome wirework
- Grey epoxy frame



Tiers	Width	Depth	Height	Item No.	UOM
2	295mm	504mm	598mm	262474	1
3	295mm	504mm	789mm	262473	1

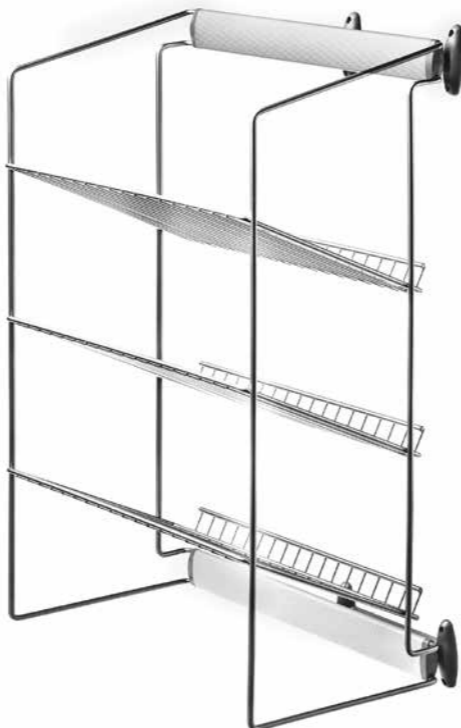
Multiple Tier Shoe Rack Pull-Outs

2 and 3 tier shoe rack Pull-Out units, check table for specification on sizes.



Key Features:

- Ball bearing slides
- Single extension
- Side mounted
- Chrome wirework
- Grey epoxy frame



Tiers	Width	Depth	Height	Item No.	UOM
2	306mm	504mm	598mm	262476	1
3	306mm	504mm	789mm	262475	1



Wardrobe Pull-Outs



Pull-Out Trouser Holder - Mounted On Cabinet Side



Key Features:

- Ball bearing slide
- Single extension
- Side mounted
- 536mm depth
- Chrome wirework
- Grey epoxy frame

Width	Depth	Height	Item No.	UOM
258mm	536mm	232mm	262482	1

Under Mount Pull-Out Clothes Hanger



Key Features:

- Ball bearing slides
- Single extension
- Under mounted
- 500mm depth
- Chrome wirework
- Grey epoxy frame

Width	Depth	Height	Item No.	UOM
85mm	500mm	175mm	262483	1

Pull-Out Tie & Belt Rack - Mounted On Cabinet Side



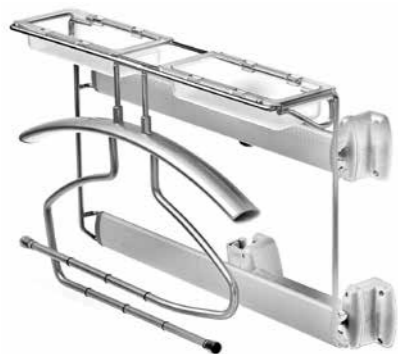
Key Features:

- Ball bearing slide
- Single extension
- Side mounted
- Chrome wirework
- Grey epoxy frame

Width	Depth	Height	Item No.	UOM
145mm	499mm	94mm	262484	1

Pull-Out Suit Rack

Pull-out pivoting suit rack, mounted to cabinet side, complete with multi-purpose tray.



Key Features:

- Side mounted
- Spacers and side mounted hinges included
- Multi-purpose tray included
- 538mm depth
- Chrome wirework
- Grey epoxy frame

Width	Depth	Height	Item No.	UOM
224mm	538mm	364mm	262485	1

Wardrobe Pull-Outs



Pull-Out Mirror



Pull-out pivoting mirror side mounted.

Key Features:

- Pull-out and pivoting action
- Side mounted with all fittings
- Chrome wirework
- Grey framework

Width	Depth	Height	Item No.	UOM
135mm	536mm	949mm	262467	1

Wardrobe Lift



Adjustable pull-down wardrobe lift with a soft closing return.

Key Features:

- Soft closing
- 850mm – 1150mm adjustable width
- Spacer included
- 10kg load capacity
- Chrome pipe rail
- Grey framework

Width	Depth	Height	Item No.	UOM
850mm-1150mm	140mm	900mm	262304	1
286mm	25mm	114mm	262305	1

Ironing Board Pull-Out



300mm wide ironing board pull-out with soft self-closing action. Can be mounted to left hand or right side.

Key Features:

- Self-closing action
- Soft closing
- 150mm wide
- Grey epoxy frame
- Non-burn fabric cover included

Width	Depth	Height	Item No.	UOM
300mm	340mm	1360mm	262576	1

EcoPlus

eco
PLUS

Bedroom Storage

Our EcoPlus Bedroom Storage section provides a solution for standard size cabinets for our basket pull-outs if cost is a concern. The runners used on this range are standard ball bearing slides.



Wardrobe Pull-Outs

eco
PLUS

Trouser Rack Pull-Out

Key Features:

- Grey frame
- Ball bearing slide
- Trouser holder
- Full range of widths

Width	Depth	Height	Item No.	UOM
400mm	470mm	95mm	275553	1
500mm	470mm	95mm	275554	1
600mm	470mm	95mm	275555	1
700mm	470mm	95mm	275556	1
800mm	470mm	95mm	275557	1
900mm	470mm	95mm	275558	1



Shoe Holder Pull-Out

Key Features:

- Grey frame
- Ball bearing slide
- Shoe rack
- Full range of widths

Width	Depth	Height	Item No.	UOM
600mm	470mm	170mm	275559	1
700mm	470mm	170mm	275560	1
800mm	470mm	170mm	275561	1
900mm	470mm	170mm	275562	1



Accessory Box & Trouser Holder Pull-Out

Key Features:

- Grey frame
- Ball bearing slide
- Wide widths only
- Double function

Width	Depth	Height	Item No.	UOM
700mm	510mm	100mm	275563	1
800mm	510mm	100mm	275564	1
900mm	510mm	100mm	275565	1



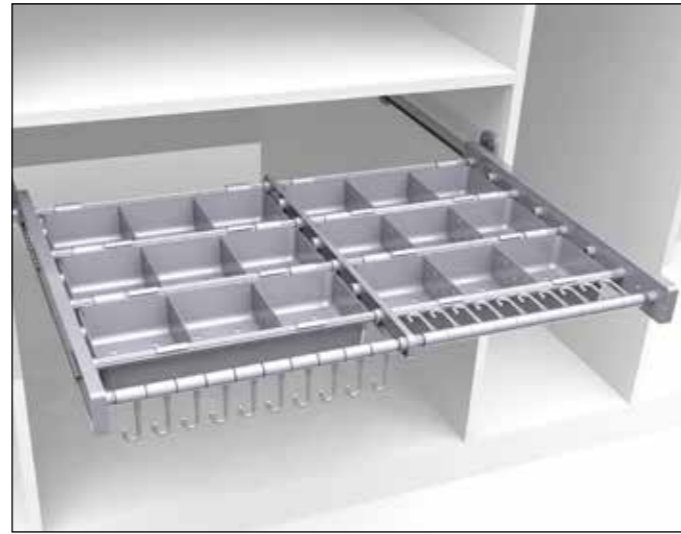
Wardrobe Pull-Outs

Accessory Pull-Out Box

Key Features:

- Grey frame
- Ball bearing slide
- For accessory organisation
- Full range of widths

Width	Depth	Height	Item No.	UOM
600mm	510mm	100mm	275566	1
700mm	510mm	100mm	275569	1
800mm	510mm	100mm	275570	1
900mm	510mm	100mm	275571	1



Aluminium Drawer Pull-Out

Key Features:

- Grey frame
- Ball bearing slide
- Drawer pull-out
- Full range of widths

Width	Depth	Height	Item No.	UOM
400mm	470mm	160mm	275572	1
450mm	470mm	160mm	275573	1
500mm	470mm	160mm	275574	1
550mm	470mm	160mm	275575	1
600mm	470mm	160mm	275576	1
700mm	470mm	160mm	275577	1
800mm	470mm	160mm	275578	1
900mm	470mm	160mm	275579	1



2 Tier Shoe Rack

Key Features:

- Grey frame
- Silver wirework
- Ball bearing slide
- Side mounted
- Shoe organiser

Hand	Width	Depth	Height	Item No.	UOM
Left	300mm	470mm	520mm	275581	1
Right	300mm	470mm	520mm	275582	1



Wardrobe Pull-Outs

3 Tier Basket Pull-Out

Key Features:

- Grey frame
- Ball bearing slide
- Side mounted
- General baskets organiser

Hand	Width	Depth	Height	Item No.	UOM
Left	300mm	485mm	920mm	275583	1
Right	300mm	485mm	920mm	275584	1



Tie & Belt Rack Pull-Out

Key Features:

- Grey frame
- Silver wirework
- Ball bearing slide
- Side mounted
- Tie and belt organisation

Width	Depth	Height	Hand	Item No.	UOM
120mm	460mm	85mm	Right	262573	1
120mm	460mm	85mm	Left	262574	1



Sliding Basket

Key Features:

- Grey frame
- Silver wirework
- Ball bearing slide
- Side mounted
- General organisation

Width	Depth	Height	Item No.	UOM
210mm	500mm	90mm	262572	1



Shirt & Towel Rail

Key Features:

- Grey frame
- Silver wirework
- Ball bearing slide
- Top hung
- Shirt & towel organiser

Width	Depth	Height	Item No.	UOM
50mm	450mm	60mm	262575	1



Wardrobe Pull-Outs

Ironing Board

Key Features:

- Steel base
- Ball bearing slide
- Surface mounted



Width	Depth	Height	Item No.	UOM
500mm	320mm	105mm	279317	1

Pull Down Wardrobe Rails

Key Features:

- 3 sizes
- Grey finish
- Soft close
- 15kgs



Width	Depth	Item No.	UOM
450mm - 600mm	150mm	279311	1
600mm - 830mm	150mm	279312	1
830mm - 1150mm	150mm	279314	1

Clothes Rail

Key Features:

- 6 point hanger
- Suitable for smaller depths
- Chrome finish



Width	Depth	Height	Item No.	UOM
40mm	280mm	119mm	279315	1



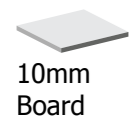
AMS Modular storage system

Applications

- Modular construction.
- Internal wardrobe shelving.
- Open-plan shelving.
- Boutique shelving.
- Shop window displays.
- Computer/audio shelving.
- Book shelving.
- Office partitions.

Features

- On-site assembly.
- Height adjustable.
- Can be easily modified, if required.



AMS Modular storage system

<p>LAMS1736 Main construction strut (Alum)</p>	<p>LAMS1706 Main construction strut (Grey)</p>	<p>LAMS1723 Eco profile (Alum)</p>	<p>LAMS1703 Semi-circular cover rail (Alum)</p>
<p>LAMS1704 Concave cover rail (Alum)</p>	<p>LAMS1705 Flat cover rail (Alum)</p>	<p>LAMS1716 Flat soft PVC cover</p>	<p>LAMS1715 Connecting tube (Alum)</p>
<p>LAMS1737 LED Garment hanging rail (Alum)</p>	<p>LAMS1742 Hanging rail (Grey)</p>	<p>LAMS1739 Garment hanging rail end support</p>	<p>LAMS1740 Wardrobe lift</p>
<p>LAMS1713 Angle joint 45°</p>	<p>LAMS1719 Angle joint 45° D-Shape</p>	<p>LAMS1714 Straight joint 90°</p>	
<p>LAMS1710 Adjustable floor fixing</p>	<p>LAMS1709 Wall / ceiling fixing</p>	<p>LAMS1712 Tube fixing bracket to wall</p>	<p>LAMS1711 Tube fixing bracket profile</p>
<p>LAMS1717 Table top fixing</p>	<p>LAMS1707 Shelf support bracket (Board)</p>	<p>LAMS1708 Shelf support bracket (Glass)</p>	

Index

A

- AMS Modular Storage System 304
- Angled Brackets 213
- Anti-Slip Mat 88
- ArciTech Decorative Front & Side Panels 12
- ArciTech Drawer Systems 4
- ArciTech Orga Trays 84
- ArciTech Push To Open Cartridge 11
- Atira Drawer Systems 16
- Atira Orga Tray 86
- Audio Systems 192
 - Remo - Bluetooth 192
 - Storm - Bluetooth 194
 - Tangent - Bluetooth 195
 - UF5 - Bluetooth with USB Charging 193

B

- Ball Bearing Slides - Eco 52
- Ball Bearing Slides - Premium 50
- Bedroom Storage 273
 - AMS Modular Storage System 304
 - EcoPlus Range 298
 - 2 Tier Shoe Rack 300
 - 3 Tier Basket 301
 - Accessory Box 300
 - Accessory Box & Trouser Holder 299
 - Aluminium Drawer 300
 - Clothes Rail 302
 - Ironing Board 302
 - Pull Down Wardrobe Rails 302
 - Shirt & Towel Rail 301
 - Shoe Holder 299
 - Sliding Basket 301
 - Tie & Belt Rack 301
 - Trouser Rack 299
- Eco Range 288
 - Basket Accessories 290
 - Basket Frame Pull-Outs 289
 - Ironing Board Pull-Out 297
 - Multiple Tier Basket 294

- Multiple Tier Shoe Rack 294
- Pull-Out Mirror 297
- Pull-Out Suit Rack 296
- Side Mounted Tie & Belt Rack 296
- Side Mounted Trouser Holder 296
- Under Mount Clothes Hanger 296
- Wardrobe Lift 297
- Wardrobe Pull-Outs 294
- ElitePlus Range 284
 - 3 Tier Basket 287
 - Accessory Box 285
 - Aluminium Drawer 285
 - Pull-Out Hanging Rail 286
 - Pull-Out Shoe Rack 287
 - Shoe Holder 286
 - Side Mounted Tie Rack 286
 - Trouser Rack 285
 - Turning Mirror Mechanism 287
 - Wardrobe Lift 287
- Elite Range 274
 - 3 Tier Basket 280
 - 3 Tier Shoe Rack 280
 - Basket Accessories 276
 - Basket Frame Pull-Outs 275
 - Multi-Slide Pull-Out 275
 - Pivoting Mirror 283
 - Pivoting Suit Rack 283
 - Side Mounted Trouser Holder 282
 - Tie & Belt Rack 282
 - Under Mount Clothes Hanger 282
 - Wardrobe Pull-Outs 280

Black Hinges 104

Bottle Organiser - Elite 65

C

- Cabinet Hangers 210
 - Concealed 210
 - Double Cabinet Hanging Plate 211
 - Slimline Surface Mounted 211
 - Surface Mounted 211
- Carousels - Elite 62
- Catches and Dampers 216
 - Door and Drawer Dampers 216
 - Double Roller Catches 216
 - Magnetic Push Catch - Double 216
 - Magnetic Push Catch - Single 216
 - Strike Plate 216

- Chipboard Screws 203
- Classic Furniture Knobs 147
- Clothes Hanger 282
- Connecting Fittings 210
 - Horizontal Door Connection Plate 210
 - Modesty Blocks 210
 - Pocket Screw Caps 210
 - Vertical Door Connection Plate 210
 - Worktop Bolts 210

Contemporary Cup Pulls 149

Contemporary Furniture Handles 136

Contemporary Furniture Knobs 144

Corner Power Sockets 191

Corner Units - Eco 72

Corner Units - Elite 60

Cutlery Trays 84, 85, 86, 88

Cutter Screws 198

D

Decorative Furniture Feet 217

Deluxe Handles 131

Door Systems 231

- Natural Wood Sliding Doors 232
- Sliding Door System Types 236

Drawer Inserts 84, 85, 86

Drawer Systems 3

- Eco Range
 - Ball Bearing Slides 52
 - KuBox Systems 28
 - Metal Box 42
 - Star Box Systems 32
 - Star In-Box Systems 38
- Elite Range
 - ArciTech Double Wall Drawers 5
 - ArciTech Push To Open Cartridge 11
 - Ball Bearing Slides - Premium 50
 - Decorative Front & Side Panel Options 12
 - InnoTech Atira Double Wall Drawers 16
 - MultiTech Single-Wall Drawers 24, 25
 - Quadro Drawer Runners 44
- Smart Slide 50

Duo Lift Door Mechanism 125

E

Edge Handle Profiles 161, 162

Electrical Fittings 191

- Corner Power Sockets 191
- Pull-Out Power Sockets 191

F

Fittings 197

- Cabinet Hangers 210
- Catches and Dampers 216
- Chipboard Screws 203
- Connecting Fittings 210
- Garment Hanging Rails 214
- Handle Screws 203
- KD Fittings - Connecting Bolts and Cams 204
- Legs and Feet 217
- Ovvo Connection Systems 208
- Reisser Screws & Accessories 198
- Shelf Supports 212

Fly Moon - Elite 60

Folding Door Hinge 99

Full Circle Carousel - Elite 63

Furniture Profiles - Eco 166

Furniture Profiles - Elite 164

G

Garment Hanging Rails 214

- 90° Curved Rail 214
- Oval Rail 214
- Oval Rail End Support 215
- Oval Rail Mid Support 215
- Oval Rail Top End Support 215
- Round Rail 215
- Round Rail End Support 215
- Round Rail Mid Support 215

H

Half Circle Carousel - Elite 62

Handles 129

TABLE OF CONTENTS

Classic Furniture Knobs 147	Hinge Covers 119
Contemporary Cup Pulls 149	Elite Range 92
Contemporary Furniture Handles 136	95° Refrigerator Hinge 103
Contemporary Furniture Knobs 144	160° Folding Door Hinge 99
Deluxe Handles 131	Hinge Cover Options 113
Eco Handle Range 156	Hinge Plate Options 110
Edge Handle Profiles 162	Intermat 110° Clip On 102
Furniture Profiles 166	Push Open Options 112
Handle Profiles 161	Sensys 30° Clip On 100
Handles 156	Sensys 45° Clip On 101
Knobs 159	Sensys 90° Clip On 98
Elite Handle Range 131	Sensys 95° Thick Door Clip-On 96
Deluxe Handles 131	Sensys 110° Clip On 94
Furniture Profiles 164	Sensys 165° Clip On 95
Glamour Crystal Range 134	Sensys Obsidian Black 104
Glamour Crystal Range 134	Thin Door 110° Clip On 97
Handle Colour / Finish Key 130	
Traditional Cup Pulls 155	I
Traditional Furniture Handles 150	InnoTech Atira Drawers 16
Traditional Furniture Knobs 152	Intermat 110° Clip On Hinge 102
Hettich	K
ArciTech Decorative Front & Side Panel Options 12	KD Fittings - Connecting Bolts and Cams 204
ArciTech Drawer Systems 4, 85, 87	Eccentric Cam Fittings 205
ArciTech Push To Open Cartridge 11	Euro Screw Connecting Bolt 205
Atira Orga Trays 84, 85, 86	Expandable Connecting Bolt 204
InnoTech Atira Drawers 16	Kitchen Storage 55
MultiTech Steel Drawers 24, 25	Eco Kitchen Storage 68, 80
Quadro Drawer Runners 44	45° Pull-Out 74
Sensys Hinge Systems 92	Bottle Organiser 76
Hinges 91	Cleaning Storage 78
Additional Hinges 122	Corner Units 72
3D Plate 121	Drawer Inserts 88
110° Hinge 120	Easy Corner 72
270° Hinge 122	Eco Moon 73
Cabinet Hinge 122	Half Circle Carousel 73
Cruciform Hinge Plate 121	Independent Secret Corner Mechanism 73
Flush Hinge 122	Larder Units 69
Folding Table Hinge 122	Pull-Outs 74
Lux Hinge 122	Secret Corner Mechanism 72
Eco Range 114	Surface Protection Rods 79
4D Plate 118	Swing Out Pantry 70
110° Hinge 116	Under Sink Drawer Pull-Out 77
110° Soft Close Clip On 114	Waste Recycling 71
165° Hinge 117	Wire Drawer Basket 76
165° Soft Close Clip On 115	EcoPlus Kitchen Storage
Cruciform Plate Clip-On 119	Carousel 82
Cruciform Plate Slide-On 119	Larder Unit 83
Cruciform Plate Soft Close 118	

TABLE OF CONTENTS

Moon 82	LED Lighting Strip 183
Waste Bins 81	M
Wire Baskets 82	Metal Box Drawers 42
Elite Kitchen Storage 56	Modular storage system 304
Bottle Organiser 65	Mono Lift Door Mechanism 124
Broom Holder 59	Multi-Fit Handle Screw 203
Corner Units 60	MultiTech Steel Drawers 24, 25
Drawer Inserts - Orga 84, 85, 86	N
Fly Moon 60	Natural Wood Sliding Doors 232, 269
Full Circle Carousel 63	O
Half Circle Carousel 62	Ovvo Connection System 208
Larder Units 57	Cutters 209
Pull-Outs 64	Permanent and Releasable Connectors 209
Secret Corner 61	P
Three Quarter Carousel 62	Pivoting Mirror 283
Under Sink Drawer Pull-Out 65	Plinth Feet - Elite 218
Waste Recycling 66	Plinth Feet - Multi-Functional 219
Wide Drawer Basket 65	Pull-Out Power Sockets 191
Wine Rack Larder Unit 58	Pull-Outs Bedroom - Eco 294
KuBox Drawer Systems 28	Pull-Outs Bedroom - EcoPlus 299
L	Pull-Outs Bedroom - Elite 280
Larder Units - Eco 69	Pull-Outs Bedroom ElitePlus 285
Larder Units - Elite 57	Pull-Outs Kitchen - Eco 74
Legs and Feet 217	Pull-Outs Kitchen - Elite 64
Chrome Plated Legs 217	Q
Decorative Furniture Feet 217	Quadro Drawer Runners 44
Multi - Functional Plinth Feet 219	R
Plinth Feet - Elite 218	Refrigerator Hinge 103
Lift Systems 124	Reisser Screws 198
Duo Lift 125	Reisser Screw Accessories 202
Mono Lift 124	Remo Bluetooth Audio Systems 192
Lighting 169	
LED Accessories 183	
3 and 6 Point Distributors 186	
Corner Connectors 184	
Dimmer Touch Switch 185	
RGB Controller 186	
Sensor - One Way Activation 185	
Strip Connectors - With Cable 184	
Strip Connectors - Without Cable 183	
Transformers 185	
LED Lighting - Hanging Rail 188	
Transformers for Hanging Rail 189	
LED Lighting Kit 187	
LED Lighting Profiles 171	

COMPONENTS CATALOGUE



ISSUE 2



NEY Ltd (Head Office)
Stonebridge Trading Estate
Sibree Road
Coventry
CV3 4FD

t 024 7630 8100
f 024 7630 8101
e sales@ney.co.uk

NEY Ireland
Unit 22 Blaris Ind Estate
Altona Road
Lisburn
BT27 5QB

t 028 92 673 000
f 028 92 672 999
e ireland@ney.co.uk

NEY Scotland
Block 2 Units 1-2-3
Bandeath Ind Est
Throsk, Stirling
FK7 7NP

t 01786 814 814
f 01786 814 812
e scotland@ney.co.uk

