



## MultiTech Single-Wall Drawer Height 150mm TECHNICAL SPECIFICATION

### NEY Ltd (Head Office)

Stonebridge Trading Estate  
Sibree Road  
Coventry  
CV3 4FD

**t** 024 7630 8100  
**f** 024 7630 8101  
**e** sales@ney.co.uk

### NEY Ireland

Unit 22 Blaris Ind Estate  
Altona Road  
Lisburn  
BT27 5QB

**t** 028 92 673 000  
**f** 028 92 672 999  
**e** ireland@ney.co.uk

### NEY Scotland

Block 2 Units 1-2-3  
Bandeath Ind Est  
Throsk, Stirling  
FK7 7

**t** 01786 814 814  
**f** 01786 814 812  
**e** scotland@ney.co.uk



# MULTITECH SINGLE-WALL DRAWER - HEIGHT 150mm

- Single-wall steel drawer system with roller runner as part-extension with self-closing effect
- Load capacity 25kg (part-extn) 30kg (over-extn)
- No bottom panel machining
- Quick insertion and removal of the drawer/internal drawer. Integrated double stop
- Simple assembly and front panel adjustment
- Right hand side has captive roller, tolerance compensation +/- 1mm



Part Extension

25kg

## 150mm HIGH

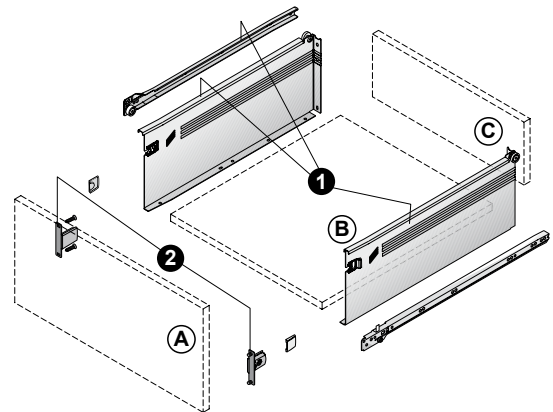
Pack Qty: 10

Depth	Item No.
275mm	278075
350mm	278076
400mm	278077
450mm	278078
500mm	278079
550mm	278080

## Drawer Front Brackets

Pack Qty: 10 sets

Item Number	278081
-------------	--------



### Not supplied:

All you need for assembling a MultiTech drawer:

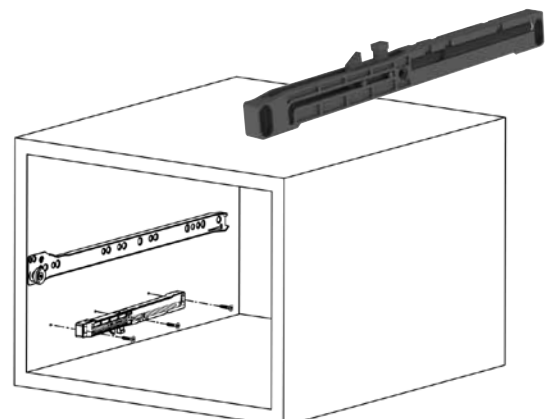
1 Drawer set 2 Front connectors

- Ⓐ Front panel
- Ⓑ Base panel
- Ⓒ Back panel



## Soft close mechanism

Pack Qty.	Item No.
20	250076

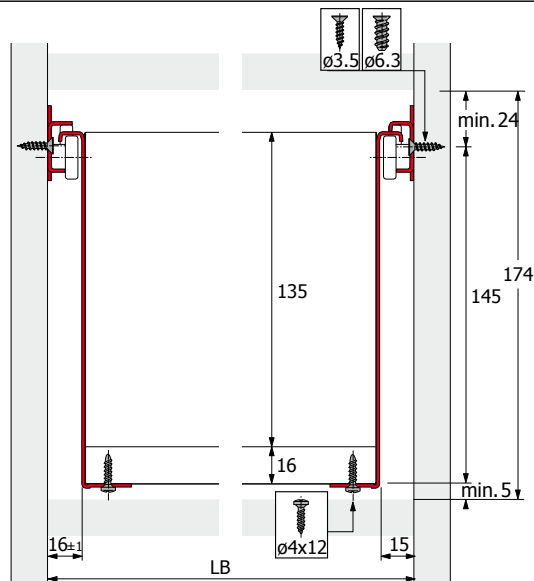


# TECHNICAL SPECIFICATION

## DIMENSIONS

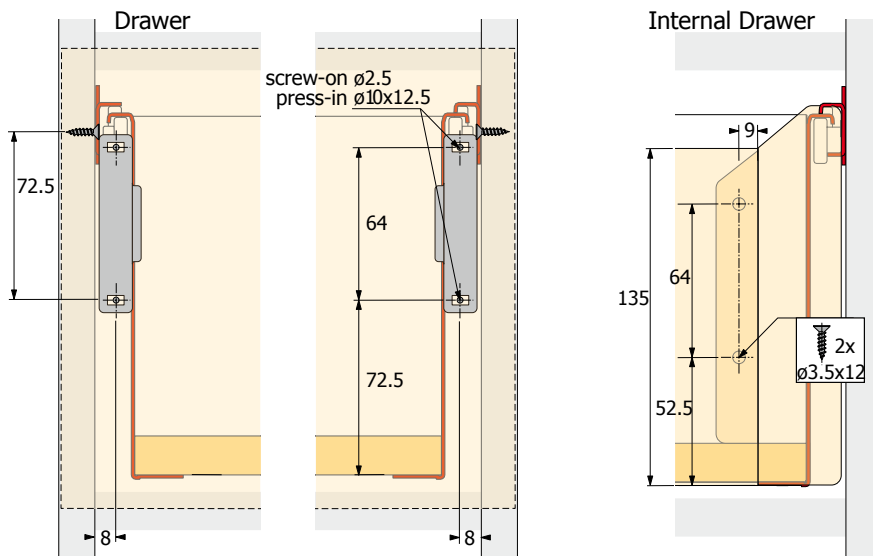
### Hole position

Roller runner  
/ minimum  
installation height.



### Hole position

Front connectors



### Hole position

Rear panel

