

# NEY Product Information



## Data Sheet

### Soft Close Cruciform and 4D Plate

Hinges & Lift Systems



**NEY Ltd (Head Office)**  
Stonebridge Trading Estate  
Sibree Road  
Coventry  
CV3 4FD

**t** 024 7630 8100  
**f** 024 7630 8101  
**e** sales@ney.co.uk

**NEY Ireland**  
Unit 22 Blaris Ind Estate  
Altona Road  
Lisburn  
BT27 5QB

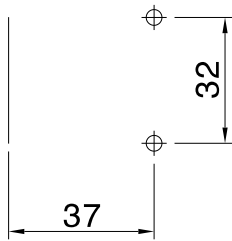
**t** 028 92 673 000  
**f** 028 92 672 999  
**e** ireland@ney.co.uk

**NEY Scotland**  
Block 2 Units 1-2-3  
Bandeath Ind Est  
Throsk, Stirling  
FK7 7NP

**t** 01786 814 814  
**f** 01786 814 812  
**e** scotland@ney.co.uk



- Material - Steel
- Nickel plated
- Cam adjustment on 4D only



## CRUCIFORM PLATE - CLIP ON



18mm Board	5mm
Pack Qty: 250	
Item Number	Description
111136	No Screw
111134	Euro Screw
111137	8mm Dowel

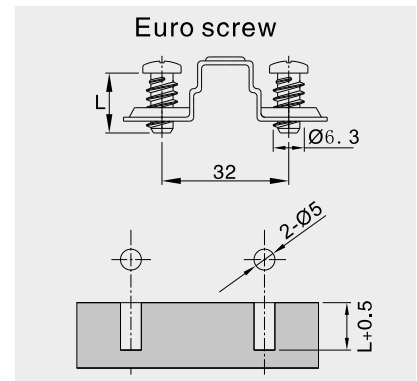
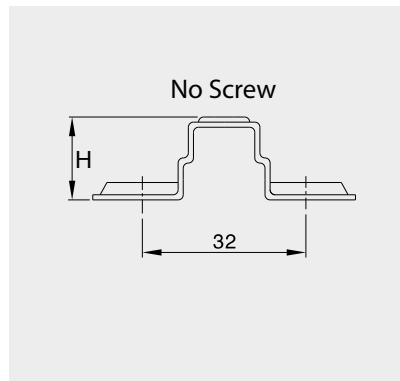
## 4D PLATE - CLIP ON



15 & 18mm Board	5mm
Pack Qty: 250	
Item Number	Description
111140	No Screw
111138	Euro Screw
111141	8mm Dowel

### Soft close cruciform plate

H	Installation Height
0	5



### Soft close 4D plate

H	Installation Height
0	5

